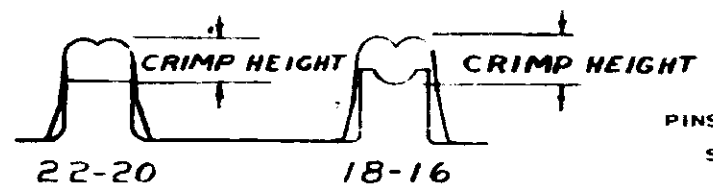
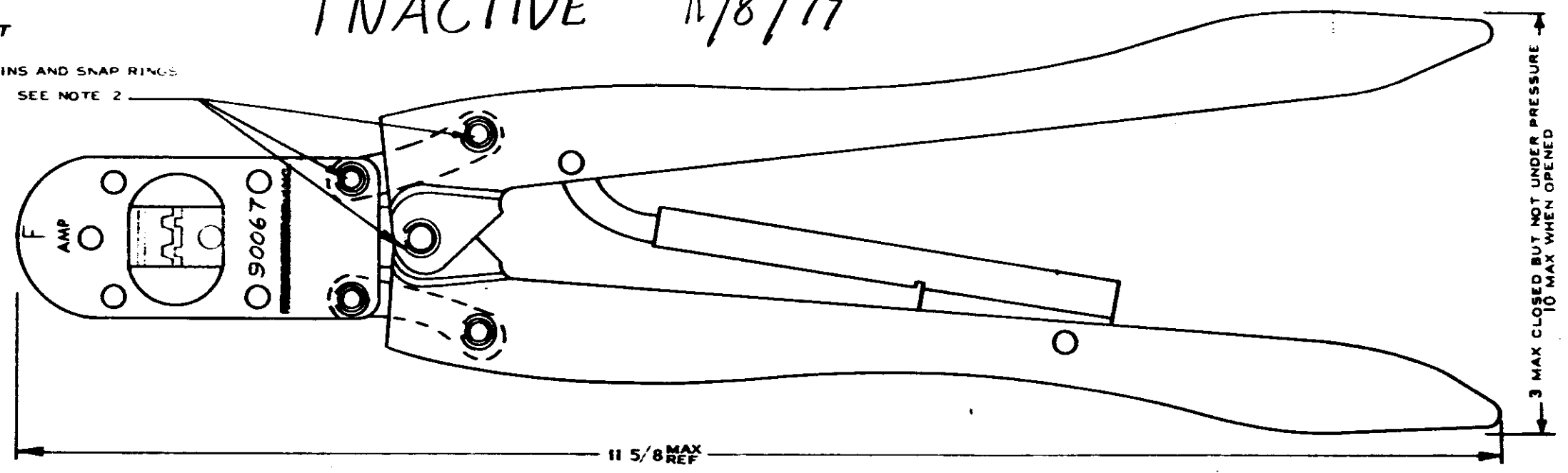


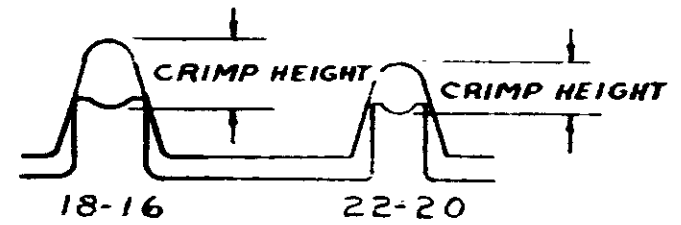
INACTIVE 11/8/77



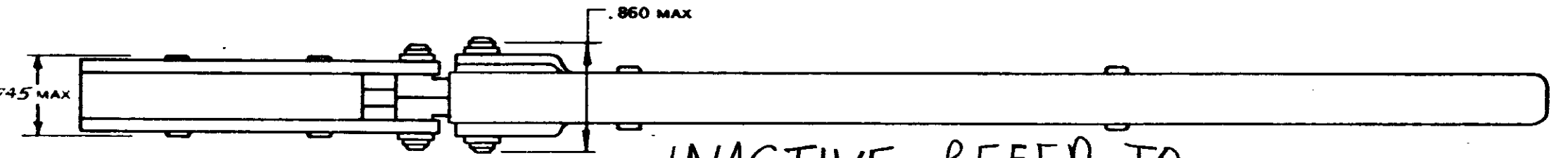
PINS AND SNAP RINGS  
SEE NOTE 2



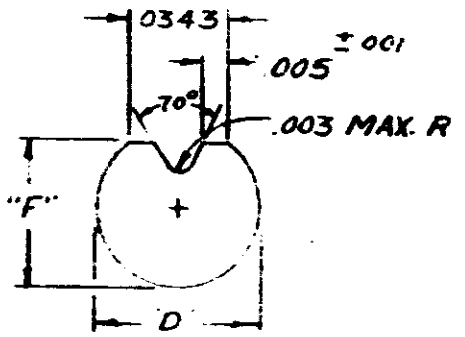
WIRE CRIMP				TERMINAL CRIMP HEIGHT
CRIMP SYMBOL	DIM	GO	NO GO	
22-20	F	0348	0388	0415
	D	0432	0464	0375
18-16	F	0479	0519	0525
	D	0574	0607	0495



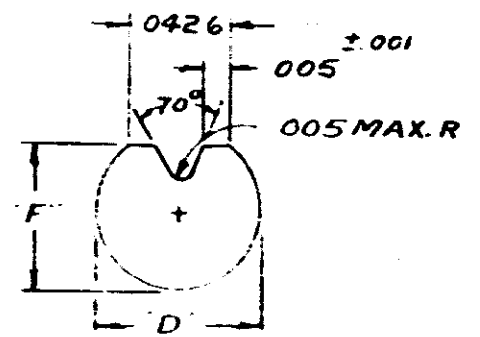
INSULATION CRIMP				TERMINAL CRIMP HEIGHT
CRIMP SYMBOL	DIM	GO	NO GO	
22-20	O	0615	0705	0715
18-16	C	0955	1045	1055



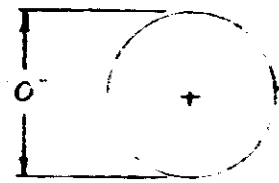
INACTIVE, REFER TO  
IS SHEET 7070 11/8/77



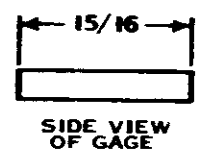
WIRE CRIMP  
22-20



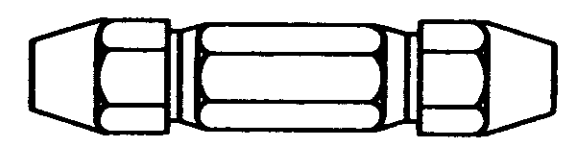
WIRE CRIMP  
18-16



INSULATION CRIMPS



SIDE VIEW OF GAGE



DOUBLE END HANDLE A.G.D. STD.

ENLARGED END VIEW OF GAGES

SUGGESTED GAGE DESIGN

INACTIVE

- CRIMP GAGE DIMENSIONS APPLY WHEN TOOL IS CLOSED OR BOTTOMED, BUT NOT UNDER PRESSURE.
- FOR REPLACEMENT OF PARTS SUCH AS PINS AND SNAP RINGS, ORDER REPAIR KIT NO. 12523-3.
- FOR REPLACEMENT OF PARTS OTHER THAN PINS AND SNAP RINGS, TOOL IS TO BE RETURNED TO AMP INC. HARRISBURG, PENNA. TO INSURE PROPER CERTIFIED CRIMP ADJUSTMENT.
- FOR TOOL USAGE, SEE INSTRUCTION SHEET NO. 7070.
- HAND TOOL CAN BE CHECKED BY MEASURING TERMINAL CRIMP HEIGHT.

A1	REVISED PER ECO-11-005294	RK	HMR	07APR 11
LT		DR	CHN	GATE

90067

OR Bylott 1-23-63		MATERIAL AND FINISH H		CUSTOMER COPY REFERENCE ONLY	
CHK Bylott 1-23-63		WIRE - RANGE - INSULATION + + +		CLASS	
DE Bylott 1-23-63		TOLERANCE EXCEPT AS NOTED H		TYPE	
APP		SCALE #		LOC R B	
		NAME STRAIGHT ACTION HAND TOOL		NO C-90067	
				REV A1	

DIMENSIONS IN INCHES DO NOT SCALE PRINT

PRINT DIM 55