



# L6713A

## 2/3 phase controller with embedded drivers for Intel VR10, VR11 and AMD 6 bit CPUs

### Features

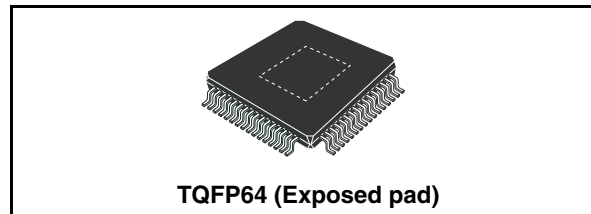
- Load transient boost LTB Technology™ to minimize the number of output capacitors (patent pending)
- Dual-edge asynchronous PWM
- Selectable 2 or 3 phase operation
- 0.5 % output voltage accuracy
- 7/8 bit programmable output up to 1.60000 V - Intel VR10.x, VR11 DAC
- 6 bit programmable output up to 1.5500 V - AMD 6 bit DAC
- High current integrated gate drivers
- Full differential current sensing across inductor
- Embedded VRD thermal monitor
- Differential remote voltage sensing
- Dynamic VID management
- Adjustable voltage offset
- Low-side-less startup
- Programmable soft-start
- Programmable over voltage protection
- Preliminary over voltage protection
- Programmable over current protection
- Adjustable switching frequency
- Output enable
- SS\_END / PGOOD signal
- TQFP64 10x10 mm package with exposed pad

### Applications

- High current VRD for desktop CPUs
- Workstation and server CPU power supply
- VRM modules

**Table 1. Device summary**

Order codes	Package	Packaging
L6713A	TQFP64 (Exposed pad)	Tube
L6713ATR		Tape and reel



### Description

L6713A implements a two/three phase step-down controller with 180°/120° phase-shift between each phase with integrated high current drivers in a compact 10x10 mm body package with exposed pad. The 2 or 3 phase operation can be easily selected through PHASE\_SEL pin.

Load transient boost LTB Technology™ (patent pending) reduces system cost by providing the fastest response to load transition therefore requiring less bulk and ceramic output capacitors to satisfy load transient requirements.

LTB Technology™ can be disabled and in this condition the device works as a dual-edge asynchronous PWM.

The device embeds selectable DACs: the output voltage ranges up to 1.60000 V (both Intel VR10.x and VR11 DAC) or up to 1.5500 V (AMD 6BIT DAC) managing D-VID with ± 0.5% output voltage accuracy over line and temperature variations.

The controller assures fast protection against load over current and under / over voltage (in this last case also before UVLO). In case of over-current the device turns off all MOSFET and latches the condition.

System thermal monitor is also provided allowing system protection from over-temperature conditions.

# Contents

- 1      Block diagram ..... 5**
- 2      Pin settings ..... 6**
  - 2.1 Pin connection ..... 6
  - 2.2 Pin description ..... 7
- 3      Electrical data ..... 12**
  - 3.1 Maximum ratings ..... 12
  - 3.2 Thermal data ..... 12
- 4      Electrical characteristics ..... 13**
- 5      VID Tables ..... 16**
  - 5.1 Mapping for the Intel VR11 mode ..... 16
  - 5.2 Voltage identification (VID) for Intel VR11 mode ..... 16
  - 5.3 Voltage identifications (VID) for Intel VR10 mode + 6.25 mV ..... 18
  - 5.4 Mapping for the AMD 6 bit mode ..... 20
  - 5.5 Voltage identifications (VID) codes for AMD 6 bit mode ..... 20
- 6      Reference schematic ..... 22**
- 7      Device description ..... 26**
- 8      Configuring the device ..... 28**
  - 8.1 Number of phases selection ..... 28
  - 8.2 DAC selection ..... 28
- 9      Power dissipation ..... 30**
- 10     Current reading and current sharing loop ..... 32**
- 11     Differential remote voltage sensing ..... 34**

---

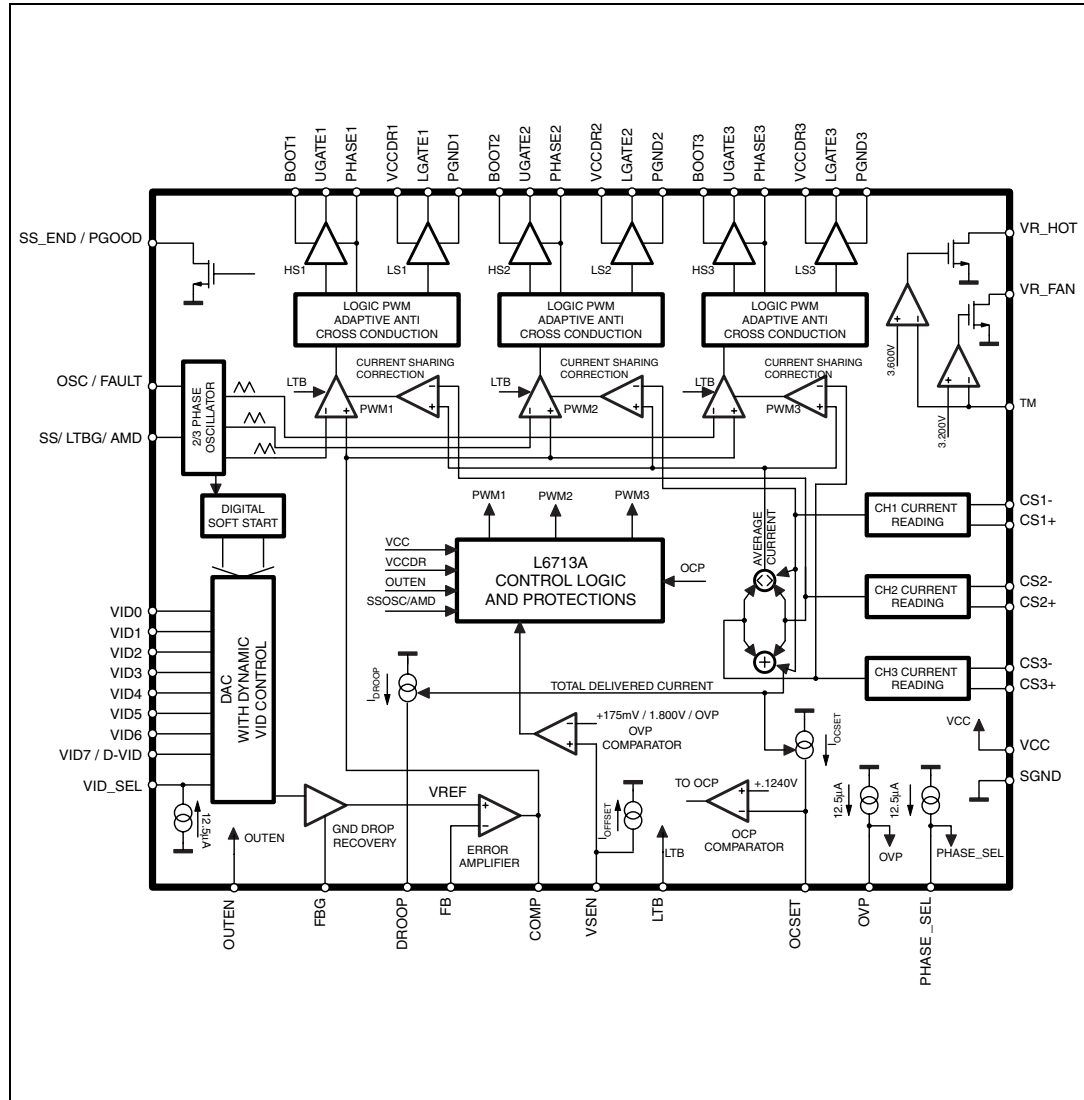
<b>12</b>	<b>Voltage positioning</b> .....	<b>35</b>
	12.1 Offset (Optional) .....	35
	12.2 Droop function (Optional) .....	36
<b>13</b>	<b>Load transient boost technology™</b> .....	<b>37</b>
	13.1 LTB™ gain modification (Optional) .....	38
<b>14</b>	<b>Dynamic VID transitions</b> .....	<b>39</b>
<b>15</b>	<b>Enable and disable</b> .....	<b>41</b>
<b>16</b>	<b>Soft-start</b> .....	<b>42</b>
	16.1 Intel mode .....	42
	16.1.1 SS/LTB/AMD connections when using LTB™ gain = 2 .....	43
	16.1.2 SS/LTB/AMD connections when using LTB™ gain < 2 .....	44
	16.2 AMD mode .....	45
	16.3 Low-side-less startup .....	46
<b>17</b>	<b>Output voltage monitor and protections</b> .....	<b>47</b>
	17.1 Under voltage .....	47
	17.2 Preliminary over voltage .....	47
	17.3 Over voltage and programmable OVP .....	48
	17.4 PGOOD (only for AMD mode) .....	48
<b>18</b>	<b>Over current protection</b> .....	<b>49</b>
<b>19</b>	<b>Oscillator</b> .....	<b>50</b>
<b>20</b>	<b>Driver section</b> .....	<b>51</b>
<b>21</b>	<b>System control loop compensation</b> .....	<b>52</b>
<b>22</b>	<b>Thermal monitor</b> .....	<b>54</b>

---

<b>23</b>	<b>Tolerance band (TOB) definition</b> .....	<b>55</b>
23.1	Controller tolerance (TOBController) .....	55
23.2	Ext. current sense circuit tolerance (TOBCurrSense) .....	56
23.3	Time constant matching error tolerance (TOBTCMatching) .....	56
23.4	Temperature measurement error (VTC) .....	57
<b>24</b>	<b>Layout guidelines</b> .....	<b>58</b>
24.1	Power components and connections .....	58
24.2	Small signal components and connections .....	59
<b>25</b>	<b>Embedding L6713A - based VR</b> .....	<b>60</b>
<b>26</b>	<b>Package mechanical data</b> .....	<b>61</b>
<b>27</b>	<b>Revision history</b> .....	<b>63</b>

# 1 Block diagram

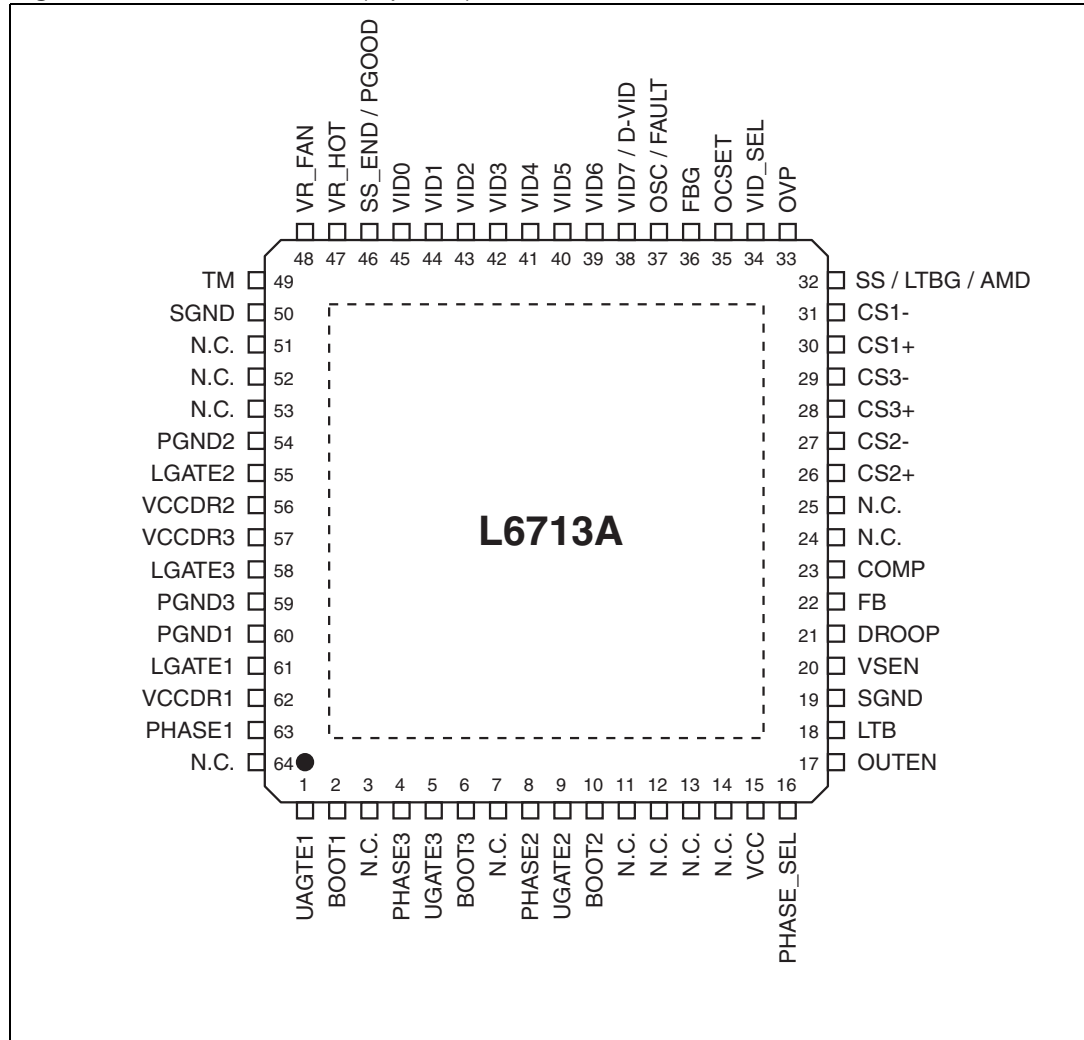
Figure 1. Block diagram



## 2 Pin settings

### 2.1 Pin connection

Figure 2. Pin connection (top view)



## 2.2 Pin description

**Table 2. Pin description**

N°	Pin	Function
1	UGATE1	Channel 1 HS driver output. A small series resistors helps in reducing device-dissipated power.
2	BOOT1	Channel 1 HS driver supply. Connect through a capacitor (100 nF typ.) to PHASE1 and provide necessary Bootstrap diode. A small resistor in series to the boot diode helps in reducing Boot capacitor overcharge.
3	N.C.	Not internally connected.
4	PHASE3	Channel 3 HS driver return path. It must be connected to the HS3 MOSFET source and provides return path for the HS driver of channel 3.
5	UGATE3	Channel 3 HS driver output. A small series resistors helps in reducing device-dissipated power.
6	BOOT3	Channel 3 HS driver supply. Connect through a capacitor (100 nF typ.) to PHASE3 and provide necessary Bootstrap diode. A small resistor in series to the boot diode helps in reducing Boot capacitor overcharge.
7	N.C.	Not internally connected.
8	PHASE2	Channel 2 HS driver return path. It must be connected to the HS2 MOSFET source and provides return path for the HS driver of channel 2. Leave floating when using 2 phase operation.
9	UGATE2	Channel 2 HS driver output. A small series resistors helps in reducing device-dissipated power. Leave floating when using 2 phase operation.
10	BOOT2	Channel 2 HS driver supply. Connect through a capacitor (100 nF typ.) to PHASE2 and provide necessary Bootstrap diode. A small resistor in series to the boot diode helps in reducing Boot capacitor overcharge. Leave floating when using 2 phase operation.
11	N.C.	Not internally connected.
12	N.C.	Not internally connected.
13	N.C.	Not internally connected.
14	N.C.	Not internally connected.
15	VCC	Device supply voltage. The operative voltage is 12 V $\pm$ 15 %. Filter with 1 $\mu$ F (typ) MLCC vs. SGND.
16	PHASE_SEL	Phase selection pin. Internally pulled up by 12.5 $\mu$ A(typ) to 5 V. It allows selecting between 2 phase and 3 phase operation. <a href="#">See Table 11</a> for details.

Table 2. Pin description (continued)

N°	Pin	Function
17	OUTEN	Output enable pin. Internally pulled up by 12.5 $\mu$ A(typ) to 5 V. Forced low, the device stops operations with all MOSFETs OFF: all the protections are disabled except for <a href="#">Preliminary over voltage</a> . Leave floating, the device starts-up implementing soft-start up to the selected VID code. Cycle this pin to recover latch from protections; filter with 1 nF (typ) vs. SGND.
18	LTB	Load transient boost pin. Internally fixed at 1 V, connecting a $R_{LTB} - C_{LTB}$ vs. VOUT allows to enable the Load transient boost technology™: as soon as the device detects a transient load it turns on all the PHASEs at the same time. Short to SGND to disable the function.
19	SGND	All the internal references are referred to this pin. Connect to the PCB Signal Ground.
20	VSEN	It manages OVP and UVP protections and PGOOD (when applicable). <a href="#">See "Output voltage monitor and protections" Section</a> . 100 $\mu$ A constant current ( $I_{OFFSET}$ , <a href="#">See Table 5</a> ) is sunk by VSEN pin in order to generate a positive offset in according to the $R_{OFFSET}$ resistor between VSEN pin and VOUT. <a href="#">See "Offset (Optional)" Section</a> for details.
21	DROOP	A current proportional to the total current read is sourced from this pin according to the current reading gain. Short to FB to implement droop function or short to SGND to disable the function. Connecting to SGND through a resistor and filtering with a capacitor, the current info can be used for other purposes.
22	FB	Error amplifier inverting input. Connect with a resistor $R_{FB}$ vs. VSEN and with an $R_F - C_F$ vs. COMP.
23	COMP	Error amplifier output. Connect with an $R_F - C_F$ vs. FB. The device cannot be disabled by pulling down this pin.
24	N.C.	Not internally connected.
25	N.C.	Not internally connected.
26	CS2+	Channel 2 current sense positive input. Connect through an R-C filter to the phase-side of the channel 2 inductor. Short to SGND or to $V_{OUT}$ when using 2 Phase operation. <a href="#">See "Layout guidelines" Section</a> for proper layout of this connection.
27	CS2-	Channel 2 current sense negative input. Connect through a $R_g$ resistor to the output-side of the channel 2 inductor. Leave floating when using 2 Phase operation. <a href="#">See "Layout guidelines" Section</a> for proper layout of this connection.
28	CS3+	Channel 3 current sense positive input. Connect through an R-C filter to the phase-side of the channel 3 inductor. <a href="#">See "Layout guidelines" Section</a> for proper layout of this connection.
29	CS3-	Channel 3 current sense negative input. Connect through a $R_g$ resistor to the output-side of the channel 3 inductor. <a href="#">See "Layout guidelines" Section</a> for proper layout of this connection.



Table 2. Pin description (continued)

N°	Pin	Function
30	CS1+	Channel 1 current sense positive input. Connect through an R-C filter to the phase-side of the channel 1 inductor. <a href="#">See “Layout guidelines” Section</a> for proper layout of this connection.
31	CS1-	Channel 1 current sense negative input. Connect through a R <sub>g</sub> resistor to the output-side of the channel 1 inductor. <a href="#">See “Layout guidelines” Section</a> for proper layout of this connection.
32	SS/ LTBG/ AMD	Soft-start oscillator, LTB gain and AMD selection pin. It allows selecting between INTEL DACs and AMD DAC. Short to SGND to select AMD DAC otherwise INTEL mode is selected. When INTEL mode is selected through this pin it is possible to select the soft-start time and also the gain of LTB Technology™. <a href="#">See “Soft-start” Section</a> and <a href="#">See “Load transient boost technology™” Section</a> for details.
33	OVP	Over voltage programming pin. Internally pulled up by 12.5 μA (typ) to 5 V. Leave floating to use built-in protection thresholds as reported into <a href="#">Table 12</a> . Connect to SGND through a R <sub>OVP</sub> resistor and filter with 100 pF (max) to set the OVP threshold to a fixed voltage according to the R <sub>OVP</sub> resistor. <a href="#">See “Over voltage and programmable OVP” Section</a> Section for details.
34	VID_SEL	Intel mode. Internally pulled up by 12.5 μA (typ) to 5 V. It allows selecting between VR10 (short to SGND, <a href="#">Table 8</a> ) or VR11 (floating, <a href="#">See Table 7</a> ) DACs. <a href="#">See “Configuring the device” Section</a> for details. <b>AMD mode.</b> Not applicable. Needs to be shorted to SGND.
35	OCSET	Over current set pin. Connect to SGND through a R <sub>OCSET</sub> resistor to set the OCP threshold. Connect also a C <sub>OCSET</sub> capacitor to set a delay for the OCP intervention. <a href="#">See “Over current protection” Section</a> for details.
36	FBG	Connect to the negative side of the load to perform remote sense. <a href="#">See “Layout guidelines” Section</a> for proper layout of this connection.
37	OSC/ FAULT	Oscillator pin. It allows programming the switching frequency F <sub>SW</sub> of each channel: the equivalent switching frequency at the load side results in being multiplied by the phase number N. Frequency is programmed according to the resistor connected from the pin vs. SGND or VCC with a gain of 8 kHz/μA (see relevant section for details). Leaving the pin floating programs a switching frequency of 200kHz per phase. The pin is forced high (5 V) to signal an OVP FAULT: to recover from this condition, cycle VCC or the OUTEN pin. <a href="#">See “Oscillator” Section</a> for details.
38	VID7/DVID	<b>VID7 - Intel mode.</b> See VID5 to VID0 section. <b>DVID - AMD mode.</b> DVID output. CMOS output pulled high when the controller is performing a D-VID transition (with 32 clock cycle delay after the transition has finished). <a href="#">See “Dynamic VID transitions” Section</a> Section for details.
39	VID6	<b>Intel mode.</b> See VID5 to VID0 section. <b>AMD mode.</b> Not applicable. Needs to be shorted to SGND.

Table 2. Pin description (continued)

N°	Pin	Function
40 to 45	VID5 to VID0	<p><b>Intel mode.</b> Voltage identification pins (also applies to VID6, VID7). Internally pulled up by 25 <math>\mu</math>A to 5 V, connect to SGND to program a '0' or leave floating to program a '1'. They allow programming output voltage as specified in <a href="#">Table 7</a> and <a href="#">Table 8</a> according to VID_SEL status. OVP and UVP protection comes as a consequence of the programmed code (<a href="#">See Table 12</a>).</p> <p><b>AMD mode.</b> Voltage identification pins. Internally pulled down by 12.5 <math>\mu</math>A, leave floating to program a '0' while pull up to more than 1.4 V to program a '1'. They allow programming the output voltage as specified in <a href="#">Table 10</a> (VID7 doesn't care). OVP and UVP protection comes as a consequence of the programmed code (<a href="#">See Table 12</a>).</p> <p><b>Note.</b> VID6 not used, need to be shorted to SGND.</p>
46	SS_END/ PGOOD	<p><b>SSEND - Intel mode.</b> soft-start end signal. Open drain output sets free after SS has finished and pulled low when triggering any protection. Pull up to a voltage lower than 5 V (typ), if not used it can be left floating.</p> <p>PGOOD - AMD mode. Open drain output set free after SS has finished and pulled low when VSEN is lower than the relative threshold. Pull up to a voltage lower than 5 V (typ), if not used it can be left floating.</p>
47	VR_HOT	<p>Voltage regulator hot. Over temperature alarm signal. Open drain output, set free when TM overcomes the alarm threshold. Thermal monitoring output enabled if <math>V_{CC} &gt; UVLO_{VCC}</math>. <a href="#">See "Thermal monitor" Section</a> for details and typical connections.</p>
48	VR_FAN	<p>Voltage regulator fan. Over temperature warning signal. Open drain output, set free when TM overcomes the warning threshold. Thermal monitoring output enabled if <math>V_{CC} &gt; UVLO_{VCC}</math>. <a href="#">See "Thermal monitor" Section</a> for details and typical connections.</p>
49	TM	<p>Thermal monitor input. It senses the regulator temperature through apposite network and drives VR_FAN and VR_HOT accordingly. Short TM pin to SGND if not used. <a href="#">See "Thermal monitor" Section</a> for details and typical connections.</p>
50	SGND	All the internal references are referred to this pin. Connect to the PCB signal Ground.
51	N.C.	Not internally connected.
52	N.C.	Not internally connected.
53	N.C.	Not internally connected.
54	PGND2	Channel 2 LS driver return path. Connect to power ground plane. It must be connected to power ground plane also when using 2-phase operation.
55	LGATE2	Channel 2 LS driver output. A small series resistor helps in reducing device-dissipated power. Leave floating when using 2 phase operation.

Table 2. Pin description (continued)

N°	Pin	Function
56	VCCDR2	Channel 2 LS driver supply. It must be connected to others VCCDRx pins also when using 2-phase operation. LS driver supply can range from 5 Vbus up to 12 Vbus, filter with 1 $\mu$ F MLCC cap vs. PGND2.
57	VCCDR3	Channel 3 LS driver supply. It must be connected to others VCCDRx pins. LS driver supply can range from 5 Vbus up to 12 Vbus, filter with 1 $\mu$ F MLCC cap vs. PGND3.
58	LGATE3	Channel 3 LS driver output. A small series resistor helps in reducing device-dissipated power.
59	PGND3	Channel 3 LS driver return path. Connect to power ground plane.
60	PGND1	Channel 1 LS driver return path. Connect to power ground plane.
61	LGATE1	Channel 1 LS driver output. A small series resistor helps in reducing device-dissipated power.
62	VCCDR1	Channel 1 LS driver supply. It must be connected to others VCCDRx pins. LS driver supply can range from 5 Vbus up to 12 Vbus, filter with 1 $\mu$ F MLCC cap vs. PGND1.
63	PHASE1	Channel 1 HS driver return path. It must be connected to the HS1 MOSFET source and provides return path for the HS driver of channel 1.
64	N.C.	Not internally connected.
PAD	Thermal pad	Thermal pad connects the silicon substrate and makes good thermal contact with the PCB to dissipate the power necessary to drive the external MOSFETs. Connect to the PGND plane with several VIAs to improve thermal conductivity.

## 3 Electrical data

### 3.1 Maximum ratings

**Table 3. Absolute maximum ratings**

Symbol	Parameter	Value	Unit
$V_{CC}, V_{CCDRx}$	to PGNDx	15	V
$V_{BOOTx} - V_{PHASEx}$	Boot voltage	15	V
$V_{UGATEx} - V_{PHASEx}$		15	V
$V_{CC} - V_{BOOTx}$		7.5	V
	LGATEx, PHASEx, to PGNDx	-0.3 to $V_{CC} + 0.3$	V
	VID0 to VID7, VID_SEL	-0.3 to 5	V
	All other pins to PGNDx	-0.3 to 7	V
$V_{PHASEx}$	Static condition to PGNDx, $V_{CC} = 14\text{ V}$ , $BOOTx = 7\text{ V}$ , $PHASEx = -7.5\text{ V}$	-7.5	V
	Positive peak voltage to PGNDx; $T < 20\text{ ns @ } 600\text{ kHz}$	26	V

### 3.2 Thermal data

**Table 4. Thermal data**

Symbol	Parameter	Value	Unit
$R_{thJA}$	Thermal resistance junction to ambient (Device soldered on 2s2p PC board)	40	$^{\circ}\text{C/W}$
$T_{MAX}$	Maximum junction temperature	150	$^{\circ}\text{C}$
$T_{STG}$	Storage temperature range	-40 to 150	$^{\circ}\text{C}$
$T_J$	Junction temperature range	0 to 125	$^{\circ}\text{C}$
$P_{TOT}$	Maximum power dissipation at $T_A = 25\text{ }^{\circ}\text{C}$	2.5	W

## 4 Electrical characteristics

$V_{CC} = 12\text{ V} \pm 15\%$ ,  $T_J = 0\text{ }^\circ\text{C}$  to  $70\text{ }^\circ\text{C}$ , unless otherwise specified

**Table 5. Electrical characteristics**

Symbol	Parameter	Test condition	Min.	Typ.	Max.	Unit
<b>Supply current</b>						
$I_{CC}$	VCC supply current	HGATE <sub>x</sub> and LGATE <sub>x</sub> = OPEN VCCDR <sub>x</sub> = BOOT <sub>x</sub> = 12 V		17		mA
$I_{CCDRx}$	VCCDR <sub>x</sub> supply current	LGATE <sub>x</sub> = OPEN; VCCDR <sub>x</sub> = 12 V		1		mA
$I_{BOOTx}$	BOOT <sub>x</sub> supply current	HGATE <sub>x</sub> = OPEN; PHASE <sub>x</sub> to PGND <sub>x</sub> VCC = BOOT <sub>x</sub> = 12 V		0.75		mA
<b>Power-ON</b>						
UVLO <sub>VCC</sub>	VCC turn-ON	VCC Rising; VCCDR <sub>x</sub> = 5 V		8.9	9.3	V
	VCC turn-OFF	VCC Falling; VCCDR <sub>x</sub> = 5 V	7.3	7.7		V
UVLO <sub>VCCDR</sub>	VCCDR turn-ON	VCCDR <sub>x</sub> Rising; VCC = 12 V		4.5	4.8	V
	VCCDR turn-OFF	VCCDR <sub>x</sub> Falling; VCC = 12 V	3.9	4.3		V
UVLO <sub>OVP</sub>	Pre-OVP turn-ON	VCC Rising; VCCDR <sub>x</sub> = 5 V		3.6	4.2	V
	Pre-OVP turn-OFF	VCC Falling; VCCDR <sub>x</sub> = 5 V	3.05	3.3		V
<b>Oscillator and inhibit</b>						
$F_{OSC}$	Main oscillator accuracy	OSC = OPEN	180	200	220	kHz
		OSC = OPEN; $T_J = 0\text{ }^\circ\text{C}$ to $125\text{ }^\circ\text{C}$	175		225	
$T_1$	SS delay time	Intel mode	1			ms
$T_2$	SS time $T_2$	Intel mode; $R_{SSOSC} = 25\text{ k}\Omega$		500		$\mu\text{s}$
$T_3$	SS time $T_3$	Intel mode	50			$\mu\text{s}$
OUTEN	Output enable intel mode	Rising thresholds voltage	0.80	0.85	0.90	V
		Hysteresis		100		mV
	Output enable AMD mode	Input low			0.80	V
		Input high	1.40			V
	OUTEN pull-up current	OUTEN to SGND		12.5		$\mu\text{A}$
$\Delta V_{OSC}$	PWM <sub>x</sub> ramp amplitude			3		V
FAULT	Voltage at pin OSC	OVP active		5		V

Table 5. Electrical characteristics (continued)

Symbol	Parameter	Test condition	Min.	Typ.	Max.	Unit
<b>Reference and DAC</b>						
$k_{VID}$	Output voltage accuracy	Intel mode VID = 1.000 V to VID = 1.600 V FB = VOUT; FBG = GNDOUT	-0.5	-	0.5	%
		AMD mode VID = 1.000 V to VID = 1.550 V FB = VOUT; FBG = GNDOUT	-0.6	-	0.6	%
$V_{BOOT}$	Boot voltage	Intel mode		1.081		V
$I_{VID}$	VID pull-up current	Intel mode; VIDx to SGND		25		$\mu$ A
	VID pull-down current	AMD mode; VIDx to 5.4 V		12.5		$\mu$ A
$VID_{IL}$	VID thresholds	Intel mode; Input low AMD mode; Input low			0.3 0.8	V
$VID_{IH}$		Intel mode; Input high AMD mode; Input high	0.8 1.35			V
$VID\_SEL$	VID_SEL threshold (Intel mode)	Input low Input high	0.8		0.3	V
	VID_SEL pull-up current	VIDSEL to SGND		12.5		$\mu$ A
<b>Error amplifier</b>						
$A_0$	EA DC gain			80		dB
SR	EA slew rate	COMP = 10 pF to SGND		20		V/ $\mu$ s
<b>Differential current sensing and offset</b>						
$I_{CSx+}$	Bias current	Inductor sense		0		$\mu$ A
$\frac{I_{INFOx} - I_{AVG}}{I_{AVG}}$	Current sense mismatch	$R_g = 1\text{ k}\Omega$ ; $I_{INFOx} = 25\text{ }\mu\text{A}$	-3	-	3	%
$V_{OCTH}$	Over current threshold	$V_{OCSET}$ (OCP)	1.215	1.240	1.265	V
$K_{IOCSET}$	OCSET current accuracy	$R_g = 1\text{ k}\Omega$ 2-PHASE, $I_{OCSET} = 60\text{ }\mu\text{A}$ ; 3-PHASE, $I_{OCSET} = 90\text{ }\mu\text{A}$ ;	-5	-	5	%
$k_{IDROOP}$	Droop current deviation from nominal value	$R_g = 1\text{ k}\Omega$ 2-PHASE, $I_{DROOP} = 0\text{ to }40\text{ }\mu\text{A}$ ; 3-PHASE, $I_{DROOP} = 0\text{ to }60\text{ }\mu\text{A}$ ;	-1	-	1	$\mu$ A
$I_{OFFSET}$	Offset current	VSEN = 0.500 V to 1.600 V	90	100	110	$\mu$ A
<b>Gate driver</b>						
$t_{RISE\_UGATEX}$	HS rise time	BOOTx - PHASEx = 10 V; $C_{UGATEx}$ to PHASEx = 3.3 nF		15	30	ns
$I_{UGATEx}$	HS source current	BOOTx - PHASEx = 10 V		2		A
$R_{UGATEx}$	HS sink resistance	BOOTx - PHASEx = 12 V	1.5	2	2.5	$\Omega$

Table 5. Electrical characteristics (continued)

Symbol	Parameter	Test condition	Min.	Typ.	Max.	Unit
$t_{RISE\_LGATEX}$	LS rise time	VCCDRx = 10 V; C <sub>LGATEX</sub> to PGNDx = 5.6 nF		30	55	ns
I <sub>LGATEX</sub>	LS source current	VCCDRx = 10 V		1.8		A
R <sub>LGATEX</sub>	LS sink resistance	VCCDRx = 12 V	0.7	1.1	1.5	Ω
<b>Protections</b>						
OVP	Over voltage protection (VSEN rising)	Intel mode; Before V <sub>BOOT</sub>			1.300	V
		Intel mode; Above VID	150	175	200	mV
		AMD mode	1.700	1.740	1.780	V
Program-mable OVP	I <sub>OVP</sub> current	OVP = SGND	11.5	12.5	13.5	μA
	Comparator offset voltage	OVP = 1.8 V	-20	0	20	mV
Pre-OVP	Preliminary over voltage protection	UVLO <sub>OVP</sub> < VCC < UVLO <sub>VCC</sub> VCC > UVLO <sub>VCC</sub> & OUTEN = SGND		1.800		V
		Hysteresis		350		mV
UVP	Under voltage protection	VSEN falling; Below VID		-750		mV
PGOOD	PGOOD threshold	AMD mode; VSEN falling; Below VID		-300		mV
V <sub>SSEND/PGOOD</sub>	SSEND / PGOOD voltage low	I = -4 mA			0.4	V
<b>Thermal monitor</b>						
V <sub>TM</sub>	TM warning (VR_FAN)	V <sub>TM</sub> rising		3.2		V
	TM alarm (VR_HOT)	V <sub>TM</sub> rising	3.420	3.6	3.770	V
	TM hysteresis			100		mV
V <sub>VR_HOT</sub> ; V <sub>VR_FAN</sub>	VR_HOT voltage low;	I = -4 mA			0.4	V
	VR_FAN voltage low				0.4	V

## 5 VID Tables

### 5.1 Mapping for the Intel VR11 mode

Table 6. Voltage identification (VID) mapping for Intel VR11 mode

VID7	VID6	VID5	VID4	VID3	VID2	VID1	VID0
800 mV	400 mV	200 mV	100 mV	50 mV	25 mV	12.5 mV	6.25 mV

### 5.2 Voltage identification (VID) for Intel VR11 mode

Table 7. Voltage identification (VID) for Intel VR11 mode (See Note)

HEX code		Output voltage (1)	HEX code		Output voltage (1)	HEX code		Output voltage (1)	HEX code		Output voltage (1)
0	0	OFF	4	0	1.21250	8	0	0.81250	C	0	0.41250
0	1	OFF	4	1	1.20625	8	1	0.80625	C	1	0.40625
0	2	1.60000	4	2	1.20000	8	2	0.80000	C	2	0.40000
0	3	1.59375	4	3	1.19375	8	3	0.79375	C	3	0.39375
0	4	1.58750	4	4	1.18750	8	4	0.78750	C	4	0.38750
0	5	1.58125	4	5	1.18125	8	5	0.78125	C	5	0.38125
0	6	1.57500	4	6	1.17500	8	6	0.77500	C	6	0.37500
0	7	1.56875	4	7	1.16875	8	7	0.76875	C	7	0.36875
0	8	1.56250	4	8	1.16250	8	8	0.76250	C	8	0.36250
0	9	1.55625	4	9	1.15625	8	9	0.75625	C	9	0.35625
0	A	1.55000	4	A	1.15000	8	A	0.75000	C	A	0.35000
0	B	1.54375	4	B	1.14375	8	B	0.74375	C	B	0.34375
0	C	1.53750	4	C	1.13750	8	C	0.73750	C	C	0.33750
0	D	1.53125	4	D	1.13125	8	D	0.73125	C	D	0.33125
0	E	1.52500	4	E	1.12500	8	E	0.72500	C	E	0.32500
0	F	1.51875	4	F	1.11875	8	F	0.71875	C	F	0.31875
1	0	1.51250	5	0	1.11250	9	0	0.71250	D	0	0.31250
1	1	1.50625	5	1	1.10625	9	1	0.70625	D	1	0.30625
1	2	1.50000	5	2	1.10000	9	2	0.70000	D	2	0.30000
1	3	1.49375	5	3	1.09375	9	3	0.69375	D	3	0.29375
1	4	1.48750	5	4	1.08750	9	4	0.68750	D	4	0.28750
1	5	1.48125	5	5	1.08125	9	5	0.68125	D	5	0.28125
1	6	1.47500	5	6	1.07500	9	6	0.67500	D	6	0.27500



Table 7. Voltage identification (VID) for Intel VR11 mode (See Note) (continued)

HEX code		Output voltage (1)	HEX code		Output voltage (1)	HEX code		Output voltage (1)	HEX code		Output voltage (1)
1	7	1.46875	5	7	1.06875	9	7	0.66875	D	7	0.26875
1	8	1.46250	5	8	1.06250	9	8	0.66250	D	8	0.26250
1	9	1.45625	5	9	1.05625	9	9	0.65625	D	9	0.25625
1	A	1.45000	5	A	1.05000	9	A	0.65000	D	A	0.25000
1	B	1.44375	5	B	1.04375	9	B	0.64375	D	B	0.24375
1	C	1.43750	5	C	1.03750	9	C	0.63750	D	C	0.23750
1	D	1.43125	5	D	1.03125	9	D	0.63125	D	D	0.23125
1	E	1.42500	5	E	1.02500	9	E	0.62500	D	E	0.22500
1	F	1.41875	5	F	1.01875	9	F	0.61875	D	F	0.21875
2	0	1.41250	6	0	1.01250	A	0	0.61250	E	0	0.21250
2	1	1.40625	6	1	1.00625	A	1	0.60625	E	1	0.20625
2	2	1.40000	6	2	1.00000	A	2	0.60000	E	2	0.20000
2	3	1.39375	6	3	0.99375	A	3	0.59375	E	3	0.19375
2	4	1.38750	6	4	0.98750	A	4	0.58750	E	4	0.18750
2	5	1.38125	6	5	0.98125	A	5	0.58125	E	5	0.18125
2	6	1.37500	6	6	0.97500	A	6	0.57500	E	6	0.17500
2	7	1.36875	6	7	0.96875	A	7	0.56875	E	7	0.16875
2	8	1.36250	6	8	0.96250	A	8	0.56250	E	8	0.16250
2	9	1.35625	6	9	0.95625	A	9	0.55625	E	9	0.15625
2	A	1.35000	6	A	0.95000	A	A	0.55000	E	A	0.15000
2	B	1.34375	6	B	0.94375	A	B	0.54375	E	B	0.14375
2	C	1.33750	6	C	0.93750	A	C	0.53750	E	C	0.13750
2	D	1.33125	6	D	0.93125	A	D	0.53125	E	D	0.13125
2	E	1.32500	6	E	0.92500	A	E	0.52500	E	E	0.12500
2	F	1.31875	6	F	0.91875	A	F	0.51875	E	F	0.11875
3	0	1.31250	7	0	0.91250	B	0	0.51250	F	0	0.11250
3	1	1.30625	7	1	0.90625	B	1	0.50625	F	1	0.10625
3	2	1.30000	7	2	0.90000	B	2	0.50000	F	2	0.10000
3	3	1.29375	7	3	0.89375	B	3	0.49375	F	3	0.09375
3	4	1.28750	7	4	0.88750	B	4	0.48750	F	4	0.08750
3	5	1.28125	7	5	0.88125	B	5	0.48125	F	5	0.08125
3	6	1.27500	7	6	0.87500	B	6	0.47500	F	6	0.07500
3	7	1.26875	7	7	0.86875	B	7	0.46875	F	7	0.06875

**Table 7. Voltage identification (VID) for Intel VR11 mode (See Note) (continued)**

HEX code		Output voltage (1)	HEX code		Output voltage (1)	HEX code		Output voltage (1)	HEX code		Output voltage (1)
3	8	1.26250	7	8	0.86250	B	8	0.46250	F	8	0.06250
3	9	1.25625	7	9	0.85625	B	9	0.45625	F	9	0.05625
3	A	1.25000	7	A	0.85000	B	A	0.45000	F	A	0.05000
3	B	1.24375	7	B	0.84375	B	B	0.44375	F	B	0.04375
3	C	1.23750	7	C	0.83750	B	C	0.43750	F	C	0.03750
3	D	1.23125	7	D	0.83125	B	D	0.43125	F	D	0.03125
3	E	1.22500	7	E	0.82500	B	E	0.42500	F	E	OFF
3	F	1.21875	7	F	0.81875	B	F	0.41875	F	F	OFF

1. According to VR11 specs, the device automatically regulates output voltage 19 mV lower to avoid any external offset to modify the built-in 0.5 % accuracy improving TOB performances. Output regulated voltage is than what extracted from the table lowered by 19 mV built-in offset.

### 5.3 Voltage identifications (VID) for Intel VR10 mode + 6.25 mV

(VID7 does not care)

**Table 8. Voltage identifications (VID) for Intel VR10 mode + 6.25 mV (See Note)**

VID 4	VID 3	VID 2	VID 1	VID 0	VID 5	VID 6	Output voltage (1)	VID 4	VID 3	VID 2	VID 1	VID 0	VID 5	VID 6	Output voltage (1)
0	1	0	1	0	1	1	1.60000	1	1	0	1	0	1	1	1.20000
0	1	0	1	0	1	0	1.59375	1	1	0	1	0	1	0	1.19375
0	1	0	1	1	0	1	1.58750	1	1	0	1	1	0	1	1.18750
0	1	0	1	1	0	0	1.58125	1	1	0	1	1	0	0	1.18125
0	1	0	1	1	1	1	1.57500	1	1	0	1	1	1	1	1.17500
0	1	0	1	1	1	0	1.56875	1	1	0	1	1	1	0	1.16875
0	1	1	0	0	0	1	1.56250	1	1	1	0	0	0	1	1.16250
0	1	1	0	0	0	0	1.55625	1	1	1	0	0	0	0	1.15625
0	1	1	0	0	1	1	1.55000	1	1	1	0	0	1	1	1.15000
0	1	1	0	0	1	0	1.54375	1	1	1	0	0	1	0	1.14375
0	1	1	0	1	0	1	1.53750	1	1	1	0	1	0	1	1.13750
0	1	1	0	1	0	0	1.53125	1	1	1	0	1	0	0	1.13125
0	1	1	0	1	1	1	1.52500	1	1	1	0	1	1	1	1.12500
0	1	1	0	1	1	0	1.51875	1	1	1	0	1	1	0	1.11875
0	1	1	1	0	0	1	1.51250	1	1	1	1	0	0	1	1.11250
0	1	1	1	0	0	0	1.50625	1	1	1	1	0	0	0	1.10625

Table 8. Voltage identifications (VID) for Intel VR10 mode + 6.25 mV (See Note)

VID 4	VID 3	VID 2	VID 1	VID 0	VID 5	VID 6	Output voltage (1)	VID 4	VID 3	VID 2	VID 1	VID 0	VID 5	VID 6	Output voltage (1)
0	1	1	1	0	1	1	1.50000	1	1	1	1	0	1	1	1.10000
0	1	1	1	0	1	0	1.49375	1	1	1	1	0	1	0	1.09375
0	1	1	1	1	0	1	1.48750	1	1	1	1	1	0	1	OFF
0	1	1	1	1	0	0	1.48125	1	1	1	1	1	0	0	OFF
0	1	1	1	1	1	1	1.47500	1	1	1	1	1	1	1	OFF
0	1	1	1	1	1	0	1.46875	1	1	1	1	1	1	0	OFF
1	0	0	0	0	0	1	1.46250	0	0	0	0	0	0	1	1.08750
1	0	0	0	0	0	0	1.45625	0	0	0	0	0	0	0	1.08125
1	0	0	0	0	1	1	1.45000	0	0	0	0	0	1	1	1.07500
1	0	0	0	0	1	0	1.44375	0	0	0	0	0	1	0	1.06875
1	0	0	0	1	0	1	1.43750	0	0	0	0	1	0	1	1.06250
1	0	0	0	1	0	0	1.43125	0	0	0	0	1	0	0	1.05625
1	0	0	0	1	1	1	1.42500	0	0	0	0	1	1	1	1.05000
1	0	0	0	1	1	0	1.41875	0	0	0	0	1	1	0	1.04375
1	0	0	1	0	0	1	1.41250	0	0	0	1	0	0	1	1.03750
1	0	0	1	0	0	0	1.40625	0	0	0	1	0	0	0	1.03125
1	0	0	1	0	1	1	1.40000	0	0	0	1	0	1	1	1.02500
1	0	0	1	0	1	0	1.39375	0	0	0	1	0	1	0	1.01875
1	0	0	1	1	0	1	1.38750	0	0	0	1	1	0	1	1.01250
1	0	0	1	1	0	0	1.38125	0	0	0	1	1	0	0	1.00625
1	0	0	1	1	1	1	1.37500	0	0	0	1	1	1	1	1.00000
1	0	0	1	1	1	0	1.36875	0	0	0	1	1	1	0	0.99375
1	0	1	0	0	0	1	1.36250	0	0	1	0	0	0	1	0.98750
1	0	1	0	0	0	0	1.35625	0	0	1	0	0	0	0	0.98125
1	0	1	0	0	1	1	1.35000	0	0	1	0	0	1	1	0.97500
1	0	1	0	0	1	0	1.34375	0	0	1	0	0	1	0	0.96875
1	0	1	0	1	0	1	1.33750	0	0	1	0	1	0	1	0.96250
1	0	1	0	1	0	0	1.33125	0	0	1	0	1	0	0	0.95625
1	0	1	0	1	1	1	1.32500	0	0	1	0	1	1	1	0.95000
1	0	1	0	1	1	0	1.31875	0	0	1	0	1	1	0	0.94375
1	0	1	1	0	0	1	1.31250	0	0	1	1	0	0	1	0.93750
1	0	1	1	0	0	0	1.30625	0	0	1	1	0	0	0	0.93125
1	0	1	1	0	1	1	1.30000	0	0	1	1	0	1	1	0.92500

**Table 8. Voltage identifications (VID) for Intel VR10 mode + 6.25 mV (See Note)**

VID 4	VID 3	VID 2	VID 1	VID 0	VID 5	VID 6	Output voltage (1)	VID 4	VID 3	VID 2	VID 1	VID 0	VID 5	VID 6	Output voltage (1)
1	0	1	1	0	1	0	1.29375	0	0	1	1	0	1	0	0.91875
1	0	1	1	1	0	1	1.28750	0	0	1	1	1	0	1	0.91250
1	0	1	1	1	0	0	1.28125	0	0	1	1	1	0	0	0.90625
1	0	1	1	1	1	1	1.27500	0	0	1	1	1	1	1	0.90000
1	0	1	1	1	1	0	1.26875	0	0	1	1	1	1	0	0.89375
1	1	0	0	0	0	1	1.26250	0	1	0	0	0	0	1	0.88750
1	1	0	0	0	0	0	1.25625	0	1	0	0	0	0	0	0.88125
1	1	0	0	0	1	1	1.25000	0	1	0	0	0	1	1	0.87500
1	1	0	0	0	1	0	1.24375	0	1	0	0	0	1	0	0.86875
1	1	0	0	1	0	1	1.23750	0	1	0	0	1	0	1	0.86250
1	1	0	0	1	0	0	1.23125	0	1	0	0	1	0	0	0.85625
1	1	0	0	1	1	1	1.22500	0	1	0	0	1	1	1	0.85000
1	1	0	0	1	1	0	1.21875	0	1	0	0	1	1	0	0.84375
1	1	0	1	0	0	1	1.21250	0	1	0	1	0	0	1	0.83750
1	1	0	1	0	0	0	1.20625	0	1	0	1	0	0	0	0.83125

1. According to VR10.x specs, the device automatically regulates output voltage 19 mV lower to avoid any external offset to modify the built-in 0.5 % accuracy improving TOB performances. Output regulated voltage is than what extracted from the table lowered by 19mVbuilt-in offset. VID7 doesn't care.

### 5.4 Mapping for the AMD 6 bit mode

**Table 9. Voltage identifications (VID) mapping for AMD 6 bit mode**

VID4	VID3	VID2	VID1	VID0
400 mV	200 mV	100 mV	50 mV	25 mV

### 5.5 Voltage identifications (VID) codes for AMD 6 bit mode

**Table 10. Voltage identifications (VID) codes for AMD 6 bit mode (See Note)**

VID5	VID4	VID3	VID2	VID1	VID0	Output voltage (1)	VID5	VID4	VID3	VID2	VID1	VID0	Output voltage (1)
0	0	0	0	0	0	1.5500	1	0	0	0	0	0	0.7625
0	0	0	0	0	1	1.5250	1	0	0	0	0	1	0.7500
0	0	0	0	1	0	1.5000	1	0	0	0	1	0	0.7375
0	0	0	0	1	1	1.4750	1	0	0	0	1	1	0.7250

Table 10. Voltage identifications (VID) codes for AMD 6 bit mode (See Note) (continued)

VID5	VID4	VID3	VID2	VID1	VID0	Output voltage <sup>(1)</sup>	VID5	VID4	VID3	VID2	VID1	VID0	Output voltage <sup>(1)</sup>
0	0	0	1	0	0	1.4500	1	0	0	1	0	0	0.7125
0	0	0	1	0	1	1.4250	1	0	0	1	0	1	0.7000
0	0	0	1	1	0	1.4000	1	0	0	1	1	0	0.6875
0	0	0	1	1	1	1.3750	1	0	0	1	1	1	0.6750
0	0	1	0	0	0	1.3500	1	0	1	0	0	0	0.6625
0	0	1	0	0	1	1.3250	1	0	1	0	0	1	0.6500
0	0	1	0	1	0	1.3000	1	0	1	0	1	0	0.6375
0	0	1	0	1	1	1.2750	1	0	1	0	1	1	0.6250
0	0	1	1	0	0	1.2500	1	0	1	1	0	0	0.6125
0	0	1	1	0	1	1.2250	1	0	1	1	0	1	0.6000
0	0	1	1	1	0	1.2000	1	0	1	1	1	0	0.5875
0	0	1	1	1	1	1.1750	1	0	1	1	1	1	0.5750
0	1	0	0	0	0	1.1500	1	1	0	0	0	0	0.5625
0	1	0	0	0	1	1.1250	1	1	0	0	0	1	0.5500
0	1	0	0	1	0	1.1000	1	1	0	0	1	0	0.5375
0	1	0	0	1	1	1.0750	1	1	0	0	1	1	0.5250
0	1	0	1	0	0	1.0500	1	1	0	1	0	0	0.5125
0	1	0	1	0	1	1.0250	1	1	0	1	0	1	0.5000
0	1	0	1	1	0	1.0000	1	1	0	1	1	0	0.4875
0	1	0	1	1	1	0.9750	1	1	0	1	1	1	0.4750
0	1	1	0	0	0	0.9500	1	1	1	0	0	0	0.4625
0	1	1	0	0	1	0.9250	1	1	1	0	0	1	0.4500
0	1	1	0	1	0	0.9000	1	1	1	0	1	0	0.4375
0	1	1	0	1	1	0.8750	1	1	1	0	1	1	0.4250
0	1	1	1	0	0	0.8500	1	1	1	1	0	0	0.4125
0	1	1	1	0	1	0.8250	1	1	1	1	0	1	0.4000
0	1	1	1	1	0	0.8000	1	1	1	1	1	0	0.3875
0	1	1	1	1	1	0.7750	1	1	1	1	1	1	0.3750

1. VID6 not applicable, need to be left unconnected.

# 6 Reference schematic

Figure 3. Reference schematic - Intel VR10.x, VR11 - 3-phase operation

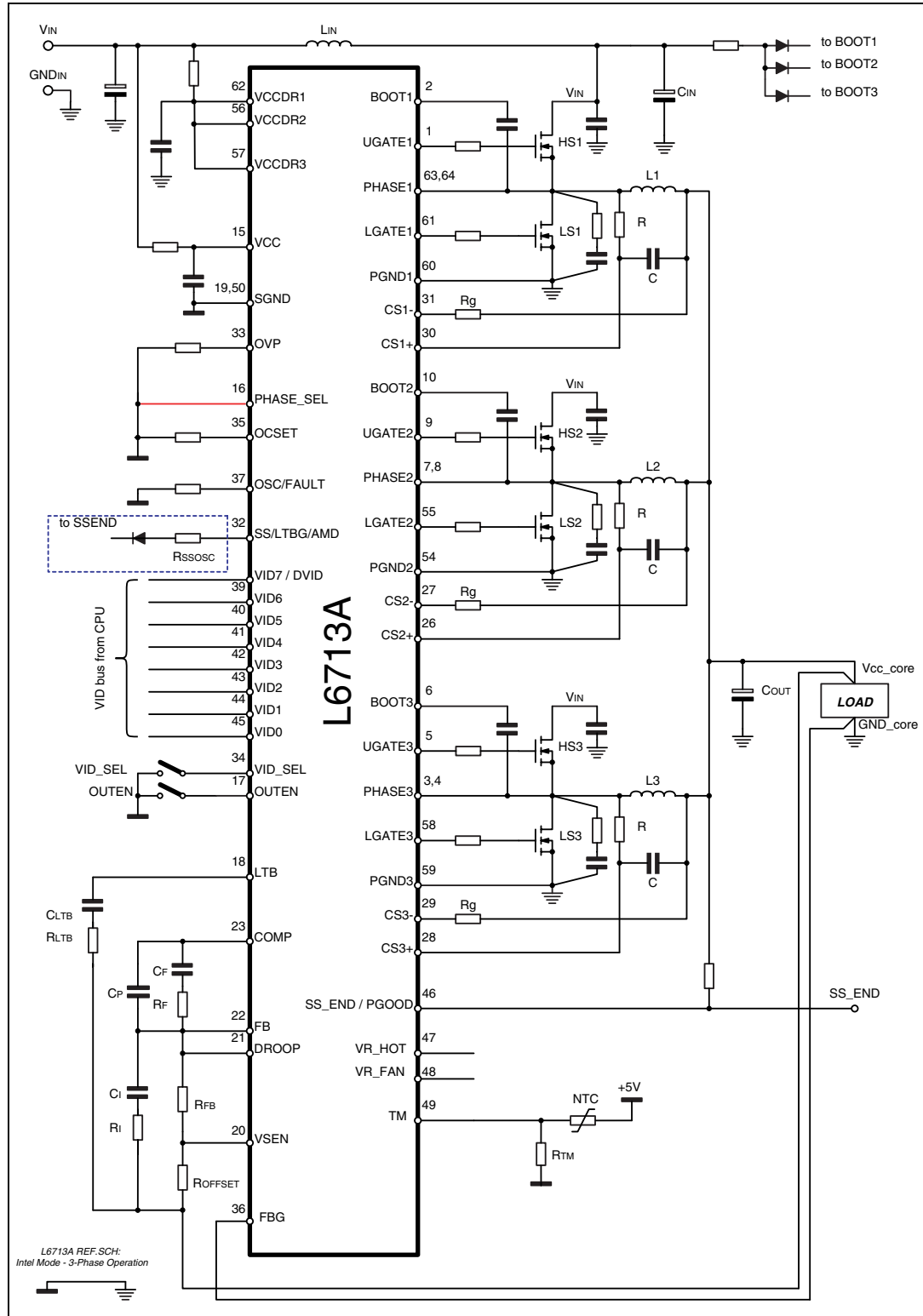


Figure 4. Reference schematic - Intel VR10.x, VR11 - 2-phase operation

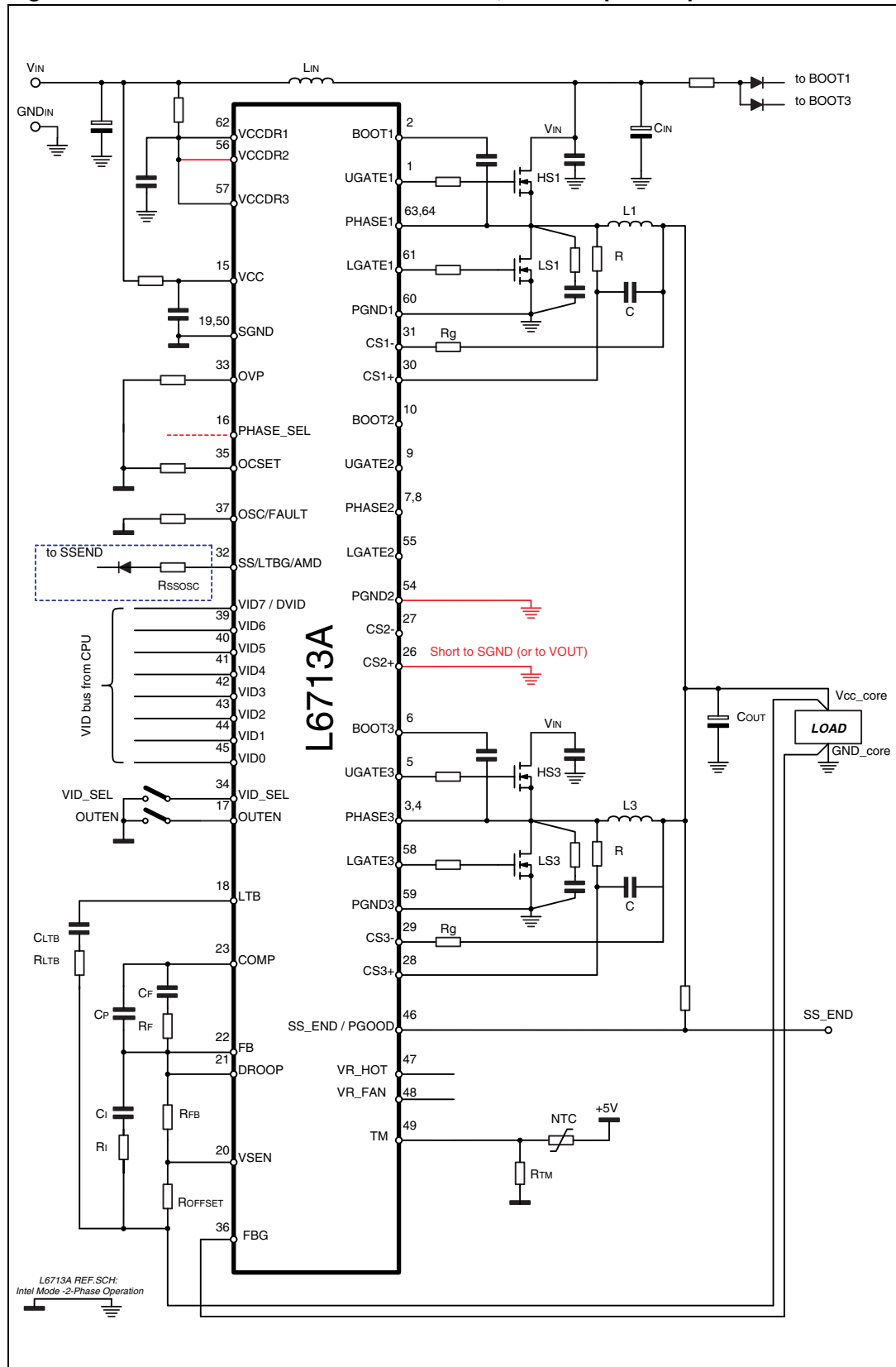


Figure 5. Reference schematic - AMD 6 bit - 3-phase operation

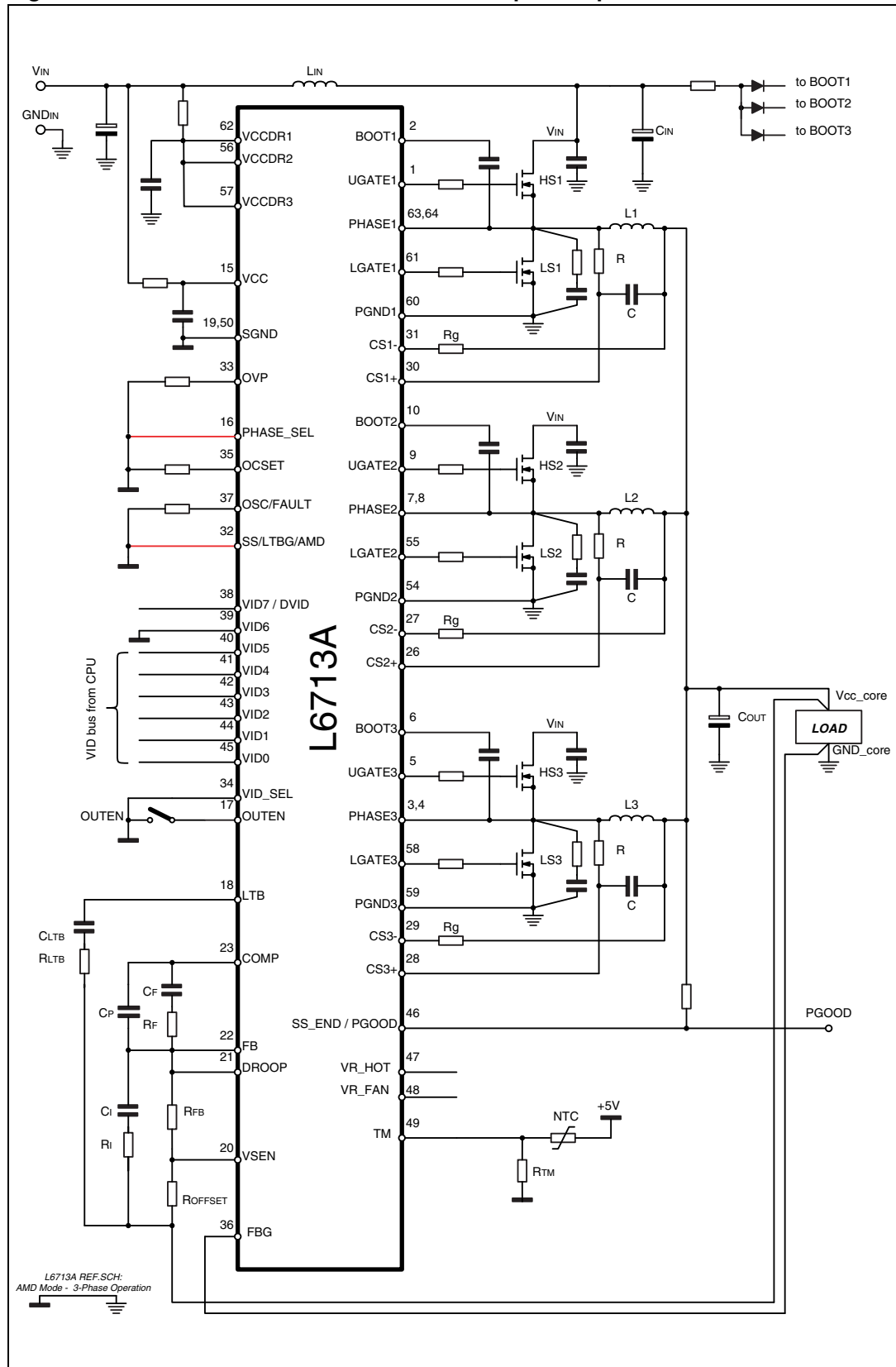
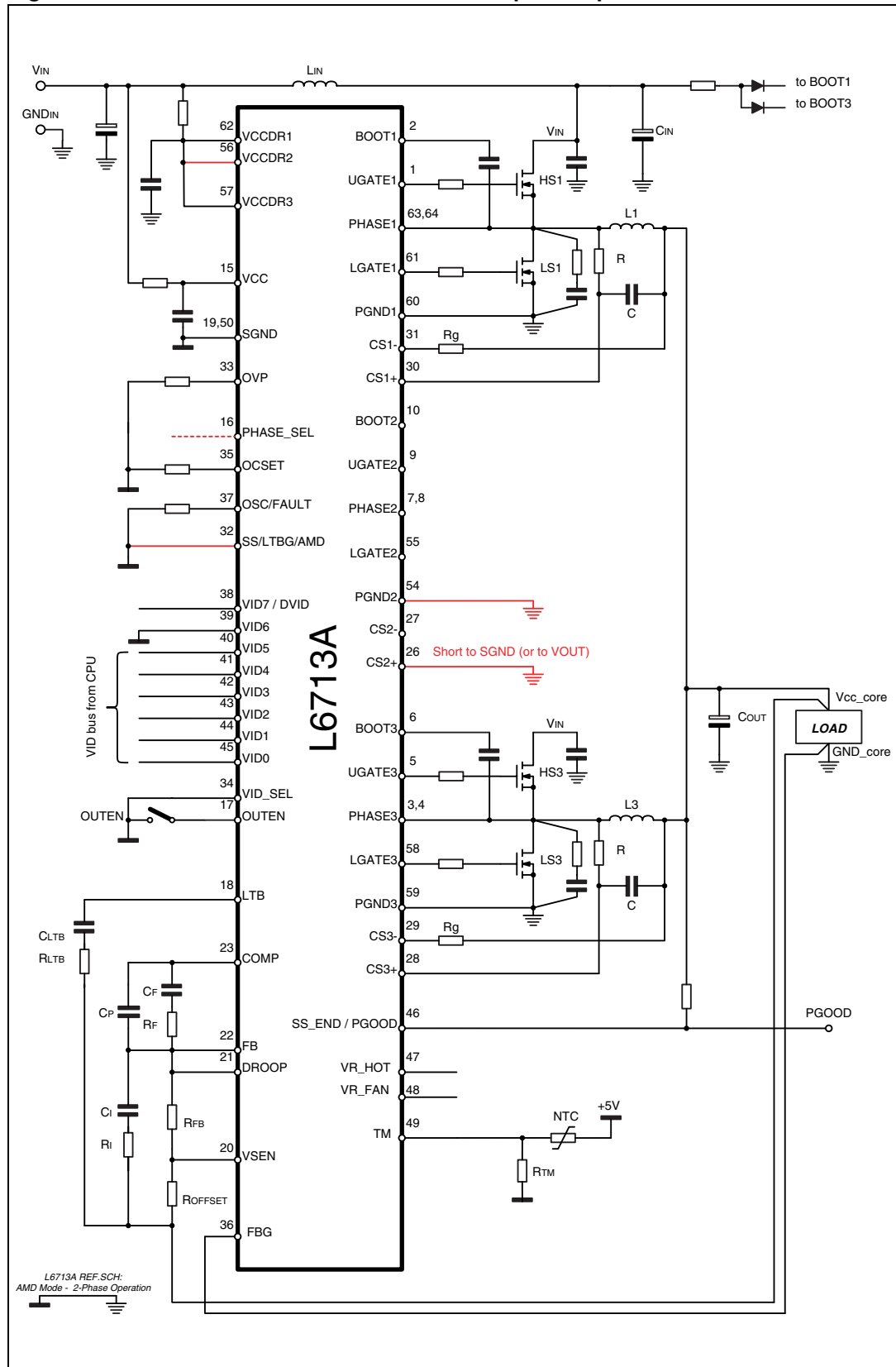




Figure 6. Reference schematic - AMD 6 bit - 2-phase operation



## 7 Device description

L6713A is two/three phase PWM controller with embedded high current drivers providing complete control logic and protections for a high performance step-down DC-DC voltage regulator optimized for advanced microprocessor power supply.

Multi phase buck is the simplest and most cost-effective topology employable to satisfy the increasing current demand of newer microprocessors and modern high current VRM modules.

It allows distributing equally load and power between the phases using smaller, cheaper and most common external power MOSFETs and inductors. Moreover, thanks to the equal phase shift between each phase, the input and output capacitor count results in being reduced. Phase interleaving causes in fact input RMS current and output ripple voltage reduction and show an effective output switching frequency increase: the 200kHz free-running frequency per phase, externally adjustable through a resistor, results multiplied on the output by the number of phases.

L6713A is a dual-edge asynchronous PWM controller featuring load transient boost LTB Technology™ (patent pending): the device turns on simultaneously all the phases as soon as a load transient is detected allowing to minimize system cost by providing the fastest response to load transition.

Load transition is detected (through LTB pin) measuring the derivate  $dV/dt$  of the output voltage and the  $dV/dt$  can be easily programmed extending the system design flexibility. Moreover, load transient boost LTB Technology™ gain can be easily modified in order to keep under control the output voltage ring back.

LTB Technology™ can be disabled and in this condition the device works as a dual-edge asynchronous PWM.

The controller allows to implement a scalable design: a three phase design can be easily downgraded to two phase simply by leaving one phase not mounted and leaving PHASE\_SEL pin floating.

The same design can be used for more than one project saving development and debug time. In the same manner, a two phase design can be further upgraded to three phase facing with newer and highly-current-demanding applications.

L6713A permits easy system design by allowing current reading across inductor in fully differential mode. Also a sense resistor in series to the inductor can be considered to improve reading precision.

The current information read corrects the PWM output in order to equalize the average current carried by each phase limiting the error to  $\pm 3\%$  over static and dynamic conditions unless considering the sensing element spread.

The controller includes multiple DACs, selectable through an apposite pin, allowing compatibility with both Intel VR10,VR11 and AMD 6BIT processors specifications, also performing D-VID transitions accordingly.

Low-side-less start-up allows soft-start over pre-biased output avoiding dangerous current return through the main inductors as well as negative spike at the load side.

L6713A provides a programmable over-voltage protection to protect the load from dangerous over stress. It can be externally set to a fixed voltage through an apposite resistor, or it can be set internally, latching immediately by turning ON the lower driver and driving high the FAULT pin.

Furthermore, preliminary OVP protection also allows the device to protect load from dangerous OVP when VCC is not above the UVLO threshold.

The over-current protection is on the total delivered current and causes the device turns OFF all MOSFETs and latches the condition.

L6713A provides also system Thermal Monitoring: through an apposite pin the device senses the temperature of the hottest component in the application driving the Warning and the Alarm signal as a consequence.

A compact 10 x 10 mm body TQFP64 package with exposed thermal pad allows dissipating the power to drive the external MOSFET through the system board.

## 8 Configuring the device

Number of phases and multiple DACs need to be configured before the system starts-up by programming the apposite pin PHASE\_SEL and SS/LTBG/AMD pin.

The configuration of this pin identifies two main working areas (See Table 12) distinguishing between compliancy with Intel VR10,VR11 or AMD 6BIT specifications. According to the main specification considered, further customizations can be done: main differences are regarding the DAC table, soft-start implementation, protection management and Dynamic VID Transitions. See Table 13 and See Table 14 for further details about the device configuration.

### 8.1 Number of phases selection

L6713A allows to select between two and three phase operation simply using the PHASE\_SEL pin, as shown in the following table.

**Table 11. Number of phases setting**

PHASE_SEL pin	Number of phases	Phases used
Floating	2-PHASE	Phase1, Phase3
Short to SGND	3-PHASE	Phase1, Phase2, Phase3

### 8.2 DAC selection

L6713A embeds a selectable DAC (through SS/LTBG/AMD pin, See Table 12) that allows to regulate the output voltage with a tolerance of  $\pm 0.5\%$  ( $\pm 0.6\%$  for AMD DAC) recovering from offsets and manufacturing variations. In case of selecting Intel mode, the device automatically introduces a -19 mV (both VRD10.x and VR11) offset to the regulated voltage in order to avoid any external offset circuitry to worsen the guaranteed accuracy and, as a consequence, the calculated system TOB.

**Table 12. DAC settings (See note)**

SS / LTBG / AMD Resistor ( $R_{SSOSC}$ ) vs. SGND	DAC	Soft-start time	LTB™ gain	OVP	UVP
0 (Short)	AMD	Not programmable	Fixed (LTB™ gain = 2)	1.800 V (typ) or Programmable	-750 mV (typ)
> 2.4 k $\Omega$	Intel	Programmable trough $R_{SSOSC}$	Programmable trough $R_{SSOSC}$ (LTB™ gain $\leq 2$ )	VID + 175 mV (typ) or programmable	-750 mV (typ)

*Note:* When selecting Intel mode, SS/LTBG/AMD pin is used to select both soft-start time and LTB™ gain (see dedicated sections).

Output voltage is programmed through the VID pins: they are inputs of an internal DAC that is realized by means of a series of resistors providing a partition of the internal voltage reference. The VID code drives a multiplexer that selects a voltage on a precise point of the divider. The DAC output is delivered to an amplifier obtaining the voltage reference (i.e. the set-point of the error amplifier,  $V_{REF}$ ).

**Table 13. Intel mode configuration (See Note)**

Pin	Function <sup>(1)</sup>	Typical connection
SS / LTBG / AMD	It allows programming the soft-start time $T_{SS}$ and also the LTB Technology™ gain. See “Soft-start” Section and See “Load transient boost technology™” Section for details.	$R_{SSOSC}$ resistor in series to signal diode vs. SSEND pin. (LTB™ gain = 2, default value).
VID_SEL	It allows selecting between VR11 DAC or VR10.x + 6.25 mV extended DAC. Static info, no dynamic changes allowed.	Open: VR11 (Table 7 ). short to SGND: VR10.x (Table 8 ).
VID7 to VID0	They allow programming the output voltage according to Table 7 and Table 8. Dynamic transitions managed, See “Dynamic VID transitions” Section for details.	Open: Logic “1” (25 $\mu$ A pull-up) Short to SGND: “0”
SSEND / PGOOD	Soft-start end signal set free after soft-start has finished. It only indicates soft-start has finished.	Pull-up to anything lower than 5 V.

Note: VID pull-ups / pull-downs, VID voltage thresholds and OUTEN thresholds changes according to the selected DAC: See Table 5 for details.

**Table 14. AMD mode configuration (See Note)**

Pin	Function	Typical connection
SS / LTBG / AMD	It allows programming AMD 6 BIT DAC.	Short to SGND.
VID_SEL	Not applicable	Need to be shorted to SGND.
VID7 / DVID	Pulled high when performing a D-VID transition. The pin is kept high with a 32 clock cycles delay.	Not applicable
VID6	Not applicable	Need to be shorted to SGND.
VID5 to VID0	They allow programming the output voltage according to Table 10. Dynamic transitions managed, See “Dynamic VID transitions” Section for details.	Open: “0” (12.5 $\mu$ A pull-down) Pull-up to $V > 1.4$ V: “1”
SSEND / PGOOD	Power good signal set free after soft-start has finished whenever the output voltage is within limits.	Pull-up to anything lower than 5 V.

Note: VID pull-ups / pull-downs, VID voltage thresholds and OUTEN thresholds changes according to the selected DAC: See Table 5 for details.

## 9 Power dissipation

L6713A embeds high current MOSFET drivers for both high side and low side MOSFETs: it is then important to consider the power the device is going to dissipate in driving them in order to avoid overcoming the maximum junction operative temperature. In addition, since the device has an exposed pad to better dissipate the power, the thermal resistance between junction and ambient consequent to the layout is also important: thermal pad needs to be soldered to the PCB ground plane through several VIAs in order to facilitate the heat dissipation.

Two main terms contribute in the device power dissipation: bias power and drivers' power. The first one ( $P_{DC}$ ) depends on the static consumption of the device through the supply pins and it is simply quantifiable as follow (assuming to supply HS and LS drivers with the same VCC of the device):

$$P_{DC} = V_{CC} \cdot (I_{CC} + N \cdot I_{CCDRx} + N \cdot I_{BOOTx})$$

where N is the number of phases.

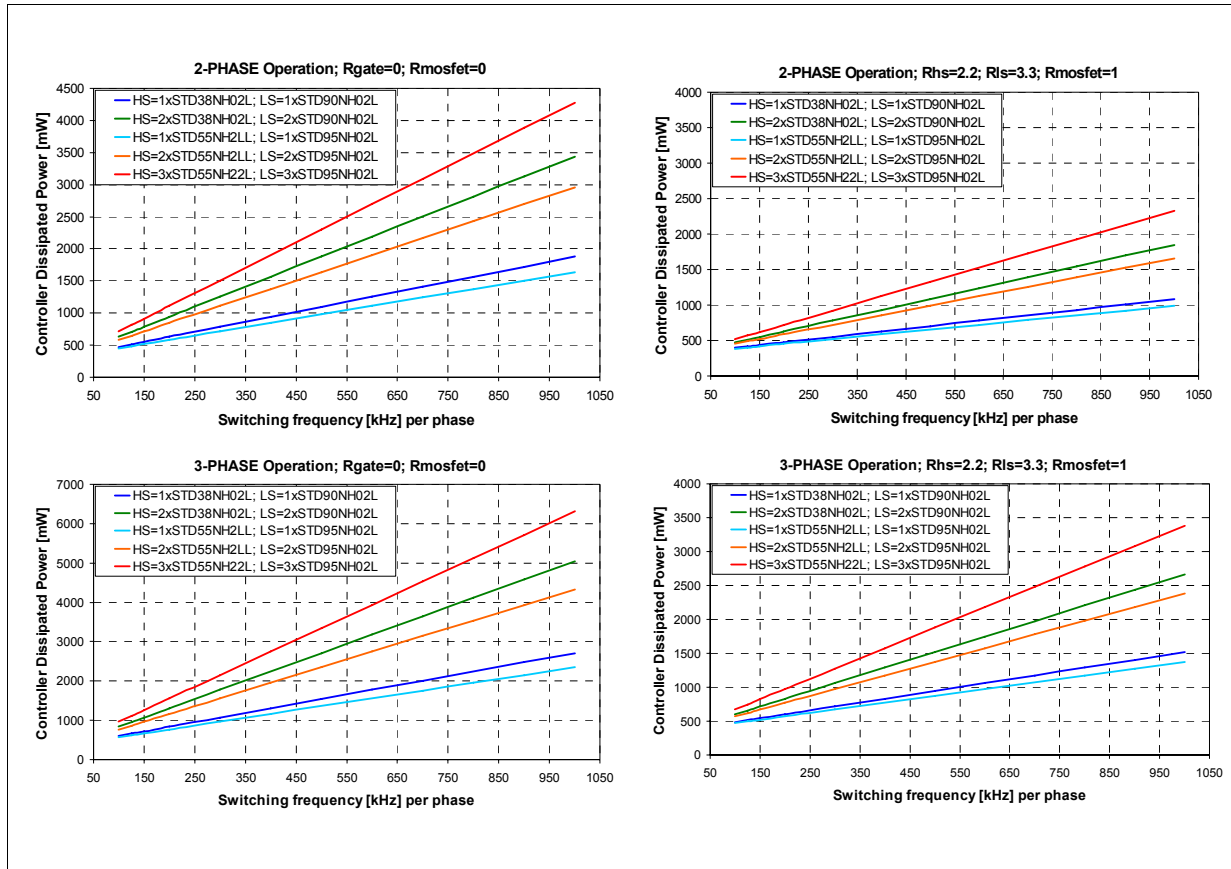
Drivers' power is the power needed by the driver to continuously switch on and off the external MOSFETs; it is a function of the switching frequency and total gate charge of the selected MOSFETs. It can be quantified considering that the total power  $P_{SW}$  dissipated to switch the MOSFETs (easy calculable) is dissipated by three main factors: external gate resistance (when present), intrinsic MOSFET resistance and intrinsic driver resistance. This last term is the important one to be determined to calculate the device power dissipation.

The total power dissipated to switch the MOSFETs results:

$$P_{SW} = N \cdot F_{SW} \cdot (Q_{GHS} \cdot V_{BOOT} + Q_{GLS} \cdot V_{CCDRx})$$

External gate resistors helps the device to dissipate the switching power since the same power  $P_{SW}$  will be shared between the internal driver impedance and the external resistor resulting in a general cooling of the device. When driving multiple MOSFETs in parallel, it is suggested to use one gate resistor for each MOSFET.

Figure 7. L6713A dissipated power (quiescent + switching)



# 10 Current reading and current sharing loop

L6713A embeds a flexible, fully-differential current sense circuitry that is able to read across inductor parasitic resistance or across a sense resistor placed in series to the inductor element. The fully-differential current reading rejects noise and allows placing sensing element in different locations without affecting the measurement's accuracy.

Reading current across the inductor DCR, the current flowing trough each phase is read using the voltage drop across the output inductor or across a sense resistor in its series and internally converted into a current. The trans-conductance ratio is issued by the external resistor Rg placed outside the chip between CSx- pin toward the reading points.

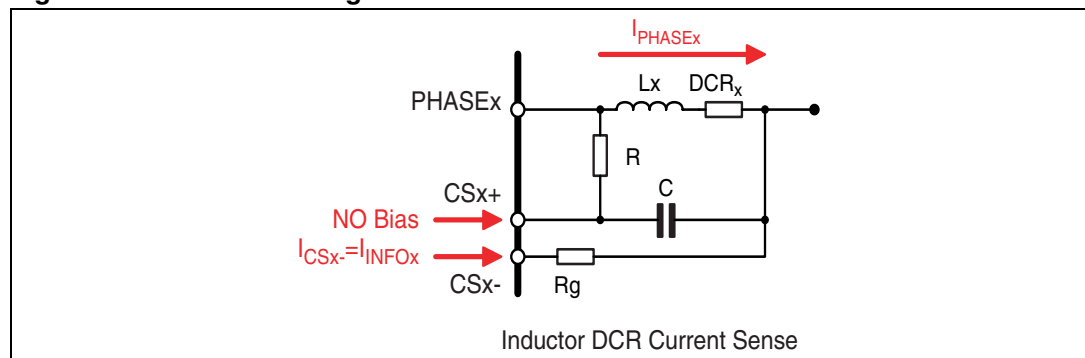
The current sense circuit always tracks the current information, no bias current is sourced from the CSx+ pin: this pin is used as a reference keeping the CSx- pin to this voltage. To correctly reproduce the inductor current an R-C filtering network must be introduced in parallel to the sensing element.

The current that flows from the CSx- pin is then given by the following equation (See Figure 8):

$$I_{CSx-} = \frac{DCR}{R_g} \cdot \frac{1 + s \cdot L / (DCR)}{1 + s \cdot R \cdot C} \cdot I_{PHASEx}$$

Where  $I_{PHASEx}$  is the current carried by the relative phase.

**Figure 8. Current reading connections**



Considering now to match the time constant between the inductor and the R-C filter applied (Time constant mismatches cause the introduction of poles into the current reading network causing instability. In addition, it is also important for the load transient response and to let the system show resistive equivalent output impedance), it results:

$$\frac{L}{DCR} = R \cdot C \Rightarrow I_{CSx-} = \frac{DCR}{R_g} \cdot I_{PHASEx} = I_{INFOx} \Rightarrow I_{INFOx} = \frac{DCR}{R_g} \cdot I_{PHASEx}$$

Where  $I_{INFOx}$  is the current information reproduced internally.

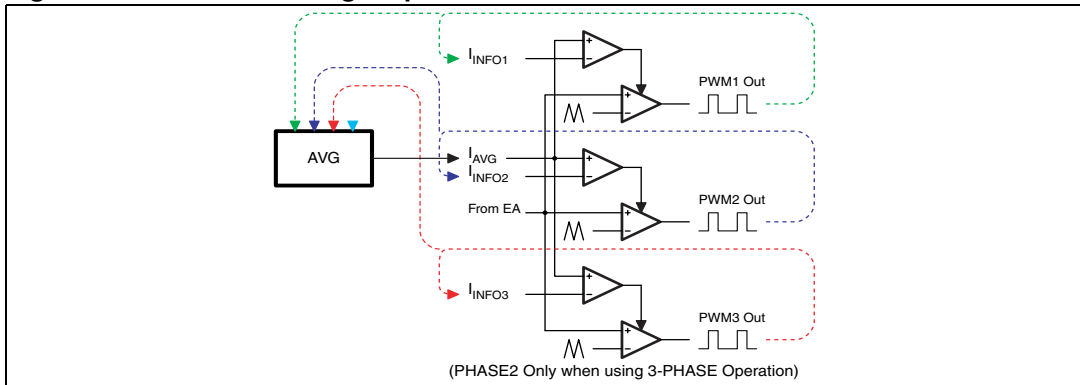


The Rg trans-conductance resistor has to be selected using the following formula, in order to guarantee the correct functionality of internal current reading circuitry:

$$R_g = \frac{DCR(MAX)}{20\mu A} \cdot \frac{I_{OUT}(MAX)}{N}$$

Current sharing control loop reported in Figure 9: it considers a current  $I_{INFOx}$  proportional to the current delivered by each phase and the average current  $I_{AVG} = \sum I_{INFOx} / N$ . The error between the read current  $I_{INFOx}$  and the reference  $I_{AVG}$  is then converted into a voltage that with a proper gain is used to adjust the duty cycle whose dominant value is set by the voltage error amplifier in order to equalize the current carried by each phase. Details about connections are shown in Figure 8.

Figure 9. Current sharing loop



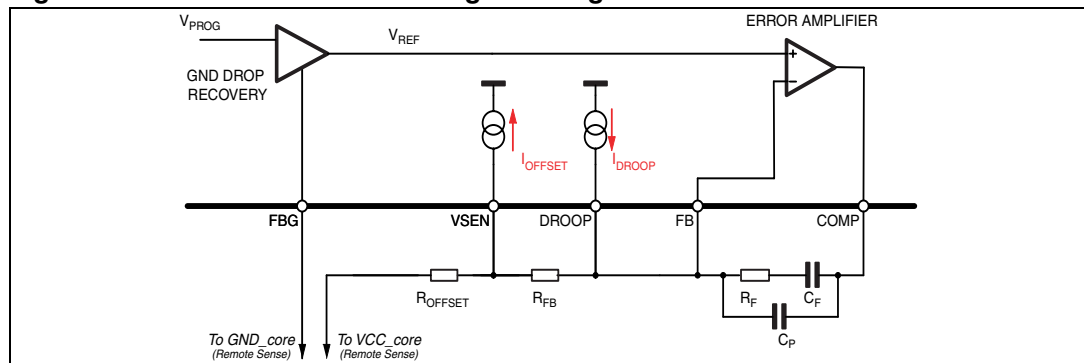
# 11 Differential remote voltage sensing

The output voltage is sensed in fully-differential mode between the FB and FBG pin. The FB pin has to be connected through a resistor to the regulation point while the FBG pin has to be connected directly to the remote sense ground point.

In this way, the output voltage programmed is regulated between the remote sense point compensating motherboard or connector losses.

Keeping the FB and FBG traces parallel and guarded by a power plane results in common mode coupling for any picked-up noise.

**Figure 10. Differential remote voltage sensing connections**



## 12 Voltage positioning

Output voltage positioning is performed by selecting the reference DAC and by programming the droop function and offset to the reference (See Figure 11). The currents sourced from DROOP and sunk from VSEN pins cause the output voltage to vary according to the external  $R_{FB}$  and  $R_{OFFSET}$  resistor.

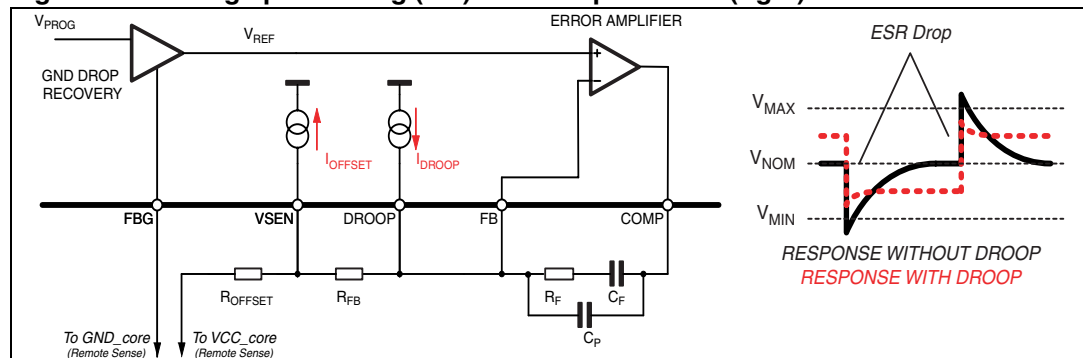
The output voltage is then driven by the following relationship:

$$V_{OUT} = V_{REF} - (R_{FB} + R_{OFFSET}) \cdot (I_{DROOP}) + (R_{OFFSET}) \cdot (I_{OFFSET})$$

$$V_{REF} = \begin{cases} VID - 19mV & \text{VR10 - VR11} \\ VID & \text{AMD 6BIT} \end{cases}$$

DROOP function can be disabled as well as the OFFSET: connecting DROOP pin and FB pin together implements the load regulation dependence while, if this effect is not desired, by shorting DROOP pin to SGND it is possible for the device to operate as a classic voltage mode buck converter. The DROOP pin can also be connected to SGND through a resistor obtaining a voltage proportional to the delivered current usable for monitoring purposes. OFFSET can be disabled by using  $R_{OFFSET}$  equal to zero.

**Figure 11. Voltage positioning (left) and droop function (right)**



### 12.1 Offset (Optional)

The  $I_{OFFSET}$  current (See Table 5) sunk from the VSEN pin allows programming a positive offset ( $V_{OS}$ ) for the output voltage by connecting a resistor  $R_{OFFSET}$  between VSEN pin and VOUT, as shown in the Figure 11; this offset has to be considered in addition to the one already introduced during the production stage for the Intel VR10,VR11 mode.

The output voltage is then programmed as follow:

$$V_{OUT} = V_{REF} - (R_{FB} + R_{OFFSET}) \cdot (I_{DROOP}) + (R_{OFFSET}) \cdot (I_{OFFSET})$$

Offset resistor can be designed by considering the following relationship:

$$R_{OFFSET} = \frac{V_{OS}}{I_{OFFSET}}$$

Offset automatically given by the DAC selection differs from the offset implemented through the  $I_{OFFSET}$  current: the built-in feature is trimmed in production and assures  $\pm 0.5\%$  error ( $\pm 0.6\%$  for the AMD DAC) over load and line variations.

## 12.2 Droop function (Optional)

This method "recovers" part of the drop due to the output capacitor ESR in the load transient, introducing a dependence of the output voltage on the load current: a static error proportional to the output current causes the output voltage to vary according to the sensed current.

As shown in [Figure 11](#), the ESR drop is present in any case, but using the droop function the total deviation of the output voltage is minimized. Moreover, more and more high-performance CPUs require precise load-line regulation to perform in the proper way. DROOP function is not then required only to optimize the output filter, but also becomes a requirement of the load.

Connecting DROOP pin and FB pin together, the device forces a current  $I_{\text{DROOP}}$  proportional to the read current, into the feedback resistor ( $R_{\text{FB}} + R_{\text{OFFSET}}$ ) implementing the load regulation dependence. Since  $I_{\text{DROOP}}$  depends on the current information about the N phases, the output characteristic vs. load current is then given by (neglecting the OFFSET voltage term):

$$V_{\text{OUT}} = V_{\text{REF}} - (R_{\text{FB}} + R_{\text{OFFSET}}) \cdot I_{\text{DROOP}}$$

$$V_{\text{REF}} - (R_{\text{FB}} + R_{\text{OFFSET}}) \cdot \frac{\text{DCR}}{R_{\text{g}}} \cdot I_{\text{OUT}} = V_{\text{REF}} - R_{\text{DROOP}} \cdot I_{\text{OUT}}$$

Where DCR is the inductor parasite resistance (or sense resistor when used) and  $I_{\text{OUT}}$  is the output current of the system. The whole power supply can be then represented by a "real" voltage generator with an equivalent output resistance  $R_{\text{DROOP}}$  and a voltage value of  $V_{\text{REF}}$ .  $R_{\text{FB}}$  resistor can be also designed according to the  $R_{\text{DROOP}}$  specifications as follow:

$$R_{\text{FB}} = R_{\text{DROOP}} \cdot \frac{R_{\text{g}}}{\text{DCR}} - R_{\text{OFFSET}}$$

Droop function is optional, in case it is not desired, the DROOP pin can be disconnected from the FB and an information about the total delivered current becomes available for debugging, and/or current monitoring. When not used, the pin can be shorted to SGND.

## 13 Load transient boost technology™

Load transient boost LTB Technology™ (patent pending) is a L6713A feature to minimize the count of output filter capacitors (MLCC and bulk capacitors) to respect the load transient specifications.

The device turns on simultaneously all the phases as soon as a load transient is detected and keep them on for the necessary time to supply the extra energy to the load. This time depends on the COMP pin voltage and on a internal gain, in order to keep under control the output voltage ring back.

Load transition is detected through LTB™ pin connecting a  $R_{LTB}$ - $C_{LTB}$  vs.  $V_{OUT}$ : the device measures the derivate  $dV/dt$  of the output voltage and so it is able to turns on all the phases immediately after a load transition detection, minimizing the delay intervention.

Modifying the  $R_{LTB}$ - $C_{LTB}$  values the  $dV/dt$  can be easily programmed, extending the system design flexibility

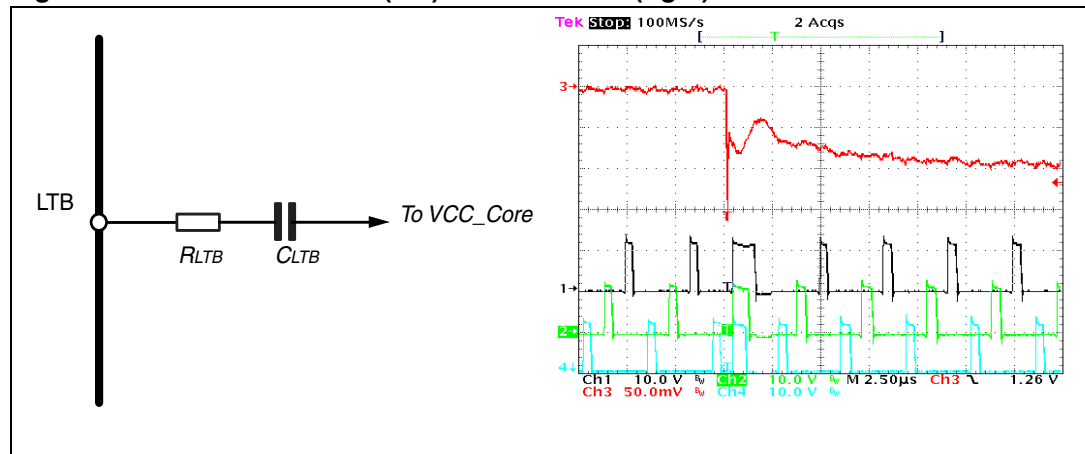
$$R_{LTB} = \frac{dV_{OUT}}{50\mu A}$$

$$C_{LTB} = \frac{1}{2 \cdot \pi \cdot R_{LTB} \cdot N \cdot F_{SW}}$$

where  $dV_{OUT}$  is the output voltage drop due to load transition.

Moreover, load transient boost LTB Technology™ gain can be easily modified in order to keep under control the output voltage ring back.

**Figure 12. LTB connections (left) and waveform (right)**



Short LTB pin to SGND to disable the LTB Technology™: in this condition the device works as a dual-edge asynchronous PWM controller.

### 13.1 LTB™ gain modification (Optional)

The internal gain can be modified through the SS/LTBG/AMD pin, as shown in the Figure 13.

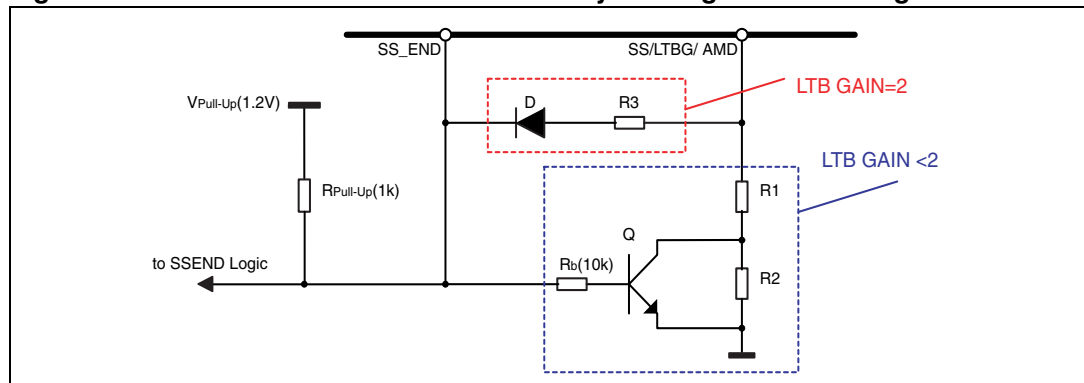
The SS/LTBG/AMD pin is also used to set the soft-start time, so the current flowing from SS/LTBG/AMD pin has to be modified only after the soft-start has been finished.

Using the D diode and R3 resistor (red square in Figure 13), after the soft-start the current flowing from SS/LTBG/AMD pin versus SGND is zero, so the internal gain is not modified. As a consequence the LTB™ gain is the default value (LTB™ gain = 2).

To decrease the LTB™ gain it is necessary to use the circuit composed by Q, R1 and R2 (blue square in Figure 13.)

After the soft-start the current flowing from SS/LTBG/AMD pin depends only on R1 resistor, so reducing the R1 resistor value the LTB™ gain can be reduced. The sum of R1 and R2 resistors have to be selected to have the desiderated soft-start time.

Figure 13. SS/OSC/LTB connections to modify LTB™ gain when using INTEL mode



## 14 Dynamic VID transitions

The device is able to manage dynamic VID Code changes that allow output voltage modification during normal device operation. OVP and UVP signals (and PGOOD in case of AMD mode) are masked during every VID transition and they are re-activated after the transition finishes with a 32 clock cycles delay to prevent from false triggering due to the transition.

When changing dynamically the regulated voltage (D-VID), the system needs to charge or discharge the output capacitor accordingly. This means that an extra-current  $I_{D-VID}$  needs to be delivered, especially when increasing the output regulated voltage and it must be considered when setting the over current threshold. This current can be estimated using the following relationships:

$$I_{D-VID} = C_{OUT} \cdot \frac{dV_{OUT}}{dT_{VID}}$$

where  $dV_{OUT}$  is the selected DAC LSB (6.25 mV for VR11 and VR10 Extended DAC or 25 mV for AMD DAC) and  $T_{VID}$  is the time interval between each LSB transition (externally driven). Overcoming the OC threshold during the dynamic VID causes the device to enter the constant current limitation slowing down the output voltage  $dV/dt$  also causing the failure in the D-VID test.

L6713A checks for VID code modifications (See Figure 14) on the rising edge of an internal additional DVID-clock and waits for a confirmation on the following falling edge. Once the new code is stable, on the next rising edge, the reference starts stepping up or down in LSB increments every VID-clock cycle until the new VID code is reached. During the transition, VID code changes are ignored; the device re-starts monitoring VID after the transition has finished on the next rising edge available. VID-clock frequency ( $F_{DVID}$ ) depends on the operative mode selected: for Intel mode it is in the range of 1 MHz to assure compatibility with the specifications while, for AMD mode, this frequency is lowered to about 250 kHz.

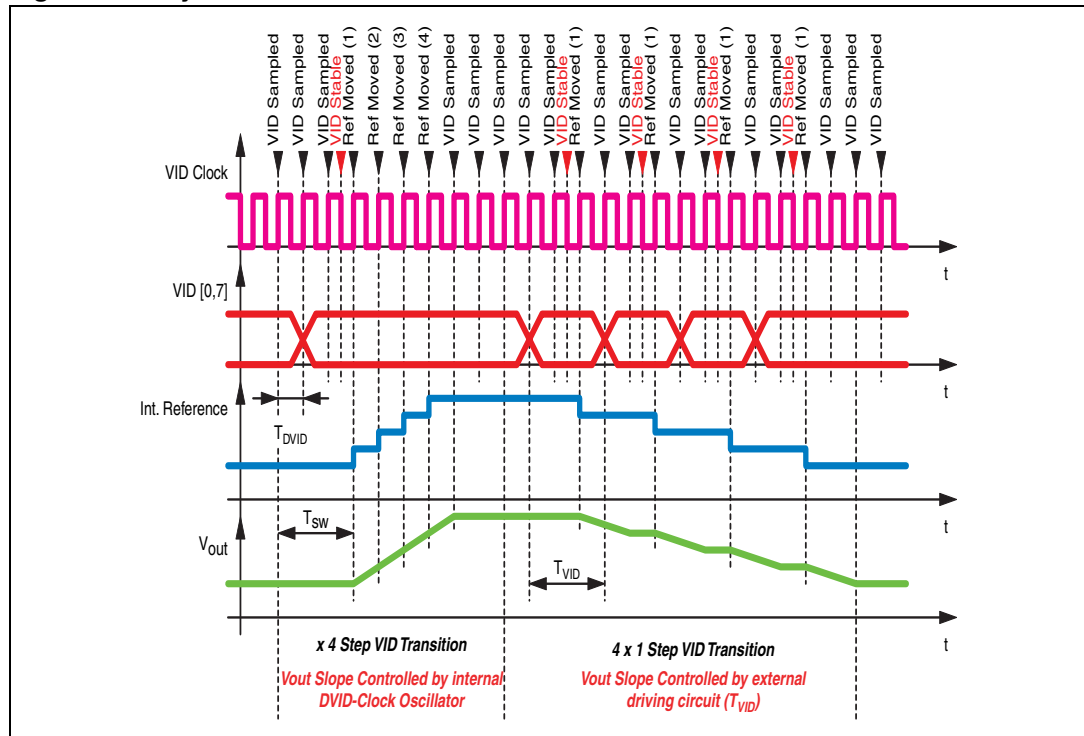
When L6713A performs a D-VID transition in AMD mode, DVID pin is pulled high as long as the device is performing the transition (also including the additional 32 clocks delay)

---

**Warning:** **Warning: if the new VID code is more than 1 LSB different from the previous, the device will execute the transition stepping the reference with the DVID-clock frequency  $F_{DVID}$  until the new code has reached: for this reason it is recommended to carefully control the VID change rate in order to carefully control the slope of the output voltage variation especially in Intel mode.**

---

Figure 14. Dynamics VID transitions





## 15 Enable and disable

L6713A has three different supplies: VCC pin to supply the internal control logic, VCCDRx to supply the low side drivers and BOOTx to supply the high side drivers. If the voltage at pins VCC and VCCDRx are not above the turn on thresholds specified in the [Electrical characteristics](#), the device is shut down: all drivers keep the MOSFETs OFF to show high impedance to the load. Once the device is correctly supplied, proper operation is assured and the device can be driven by the OUTEN pin to control the power sequencing. Setting the pin free, the device implements a soft-start up to the programmed voltage. Shorting the pin to SGND, it resets the device (SS\_END/PGOOD is shorted to SGND in this condition) from any latched condition and also disables the device keeping all the MOSFET turned OFF to show high impedance to the load.

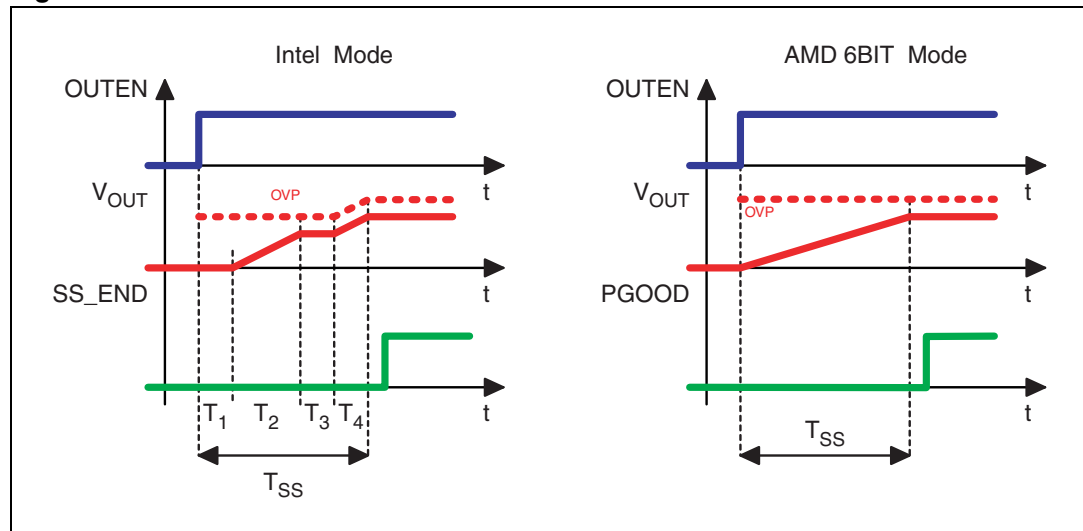
## 16 Soft-start

L6713A implements a soft-start to smoothly charge the output filter avoiding high in-rush currents to be required to the input power supply. The device increases the reference from zero up to the programmed value in different ways according to the selected operative mode and the output voltage increases accordingly with closed loop regulation.

The device implements soft-start only when all the power supplies are above their own turn-on thresholds and the OUTEN pin is set free.

At the end of the digital soft-start, SS\_END/PGOOD signal is set free. Protections are active during this phase; under voltage is enabled when the reference voltage reaches 0.6 V while over voltage is always enabled with a threshold dependent on the selected operative mode or with the fixed threshold programmed by  $R_{OVP}$  (See "Over voltage and programmable OVP" Section).

**Figure 15. Soft-start**



### 16.1 Intel mode

Once L6713A receives all the correct supplies and enables, and Intel mode has been selected, it initiates the soft-start phase with a  $T_1 = 1 \text{ ms}_{(\text{min})}$  delay. After that, the reference ramps up to  $V_{\text{BOOT}} = 1.081 \text{ V}$  ( $1.100\text{V} - 19\text{mV}$ ) in  $T_2$  according to the SS/LTBG/AMD settings and waits for  $T_3 = 75 \text{ }\mu\text{sec}_{(\text{typ})}$  during which the device reads the VID lines. Output voltage will then ramp up to the programmed value in  $T_4$  with the same slope as before (See Figure 15).

SS/LTB/AMD defines the frequency of an internal additional soft-start-oscillator used to step the reference from zero up to the programmed value; this oscillator is independent from the main oscillator whose frequency is programmed through the OSC pin.

In particular, it allows to precisely programming the start-up time up to  $V_{\text{BOOT}}$  ( $T_2$ ) since it is a fixed voltage independent by the programmed VID. Total soft-start time dependence on the programmed VID results (See Figure 17 and See Figure 19).

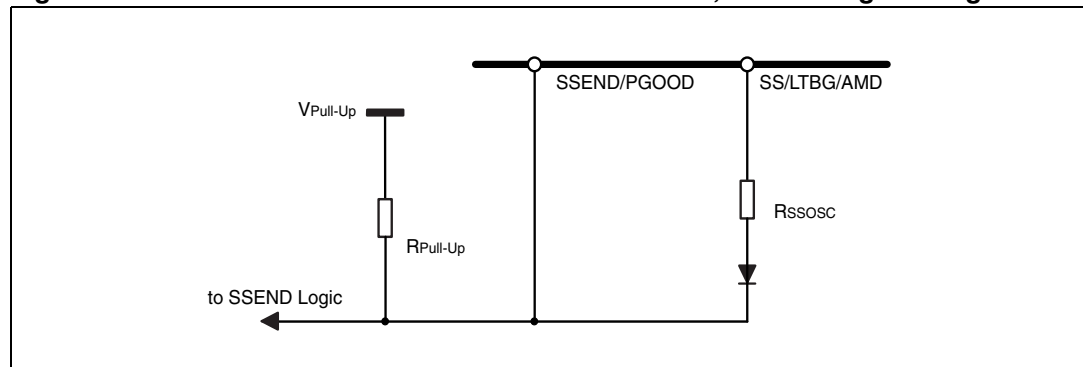
Protections are active during soft-start, UVP is enabled after the reference reaches 0.6V while OVP is always active with a fixed 1.24V threshold before  $V_{BOOT}$  and with the threshold coming from the VID (or the programmed  $V_{OVP}$ ) after  $V_{BOOT}$  (See red-dashed line in Figure 15).

*Note:* If during  $T_3$  the programmed VID selects an output voltage lower than  $V_{BOOT}$ , the output voltage will ramp to the programmed voltage starting from  $V_{BOOT}$ .

### 16.1.1 SS/LTB/AMD connections when using LTB™ gain = 2

SS/LTB/AMD pin sets then the output voltage dV/dt during soft-start according to the resistor  $R_{SSOSC}$  connected vs. SSEND/PGOOD pin through a signal diode (See Figure 16).

**Figure 16. SS/LTBG/AMD connections for INTEL mode, when using LTB™ gain = 2**



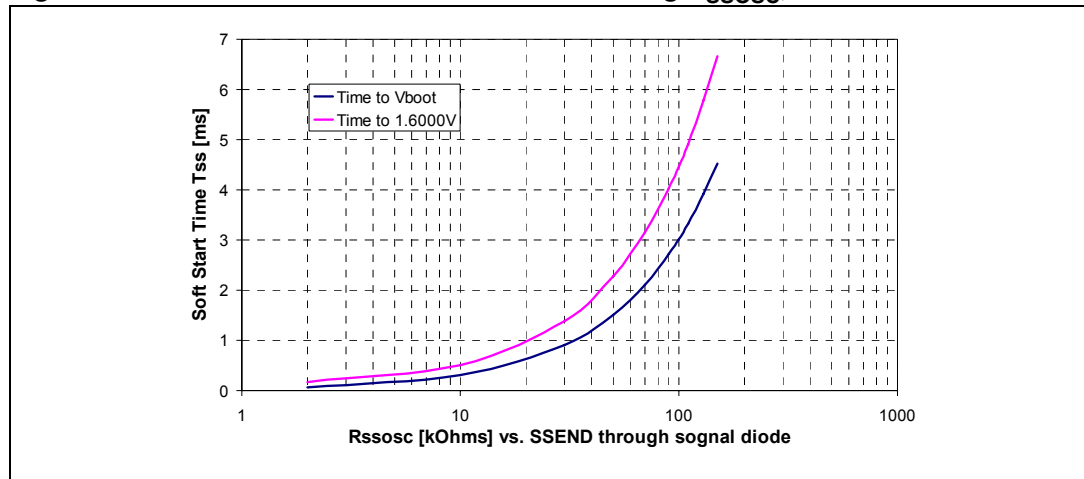
$$R_{SSOSC}[\text{k}\Omega] = T_2[\mu\text{s}] \cdot 4.9783 \cdot 10^{-2} \cdot \left[ \frac{1.24 - V_{DIODE}[\text{V}]}{1.24} \right]$$

$$T_{SS}[\mu\text{s}] = 1075[\mu\text{s}] + \begin{cases} \frac{R_{SSOSC}[\text{k}\Omega]}{5.3816 \cdot 10^{-2}} \cdot \frac{1.24}{1.24 - V_{DIODE}[\text{V}]} \cdot V_{SS} & \text{a)} \\ \frac{R_{SSOSC}[\text{k}\Omega]}{5.3816 \cdot 10^{-2}} \cdot \frac{1.24}{1.24 - V_{DIODE}[\text{V}]} \cdot [V_{BOOT} + (V_{BOOT} - V_{SS})] & \text{b)} \end{cases}$$

$$\begin{cases} \text{a) if}(V_{SS} > V_{BOOT}) \\ \text{b) if}(V_{SS} < V_{BOOT}) \end{cases}$$

where  $T_{SS}$  is the time spent to reach the programmed voltage  $V_{SS}$  and  $R_{SSOSC}$  the resistor connected between SS/LTBG/AMD and SSEND (through a signal diode) in  $\text{k}\Omega$ .

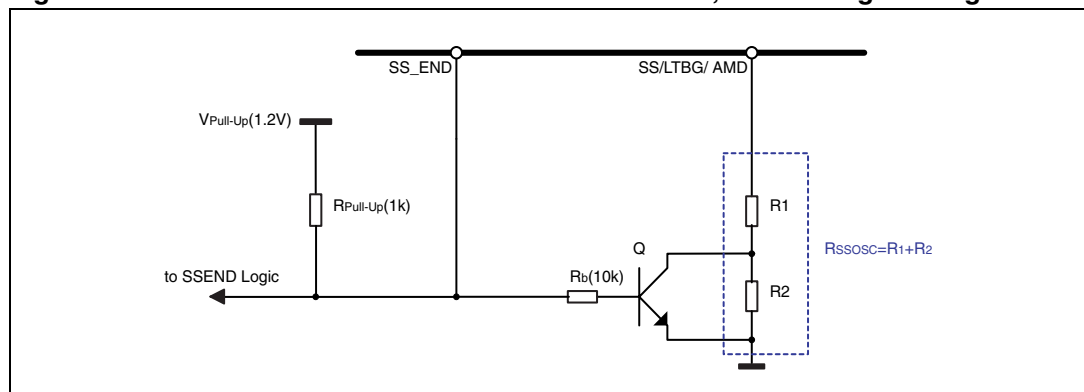
Figure 17. Soft-start time for Intel mode when using R<sub>SSOSC</sub>, diode versus SSEND



### 16.1.2 SS/LTB/AMD connections when using LTB™ gain < 2

When using LTB™ gain < 2, the equivalent R<sub>SSOSC</sub> resistance is composed by the sum of R<sub>1</sub>+R<sub>2</sub>) because until the soft-start is not finished the Q transistor is OFF (See Figure 18).

Figure 18. SS/LTBG/AMD connections for INTEL mode, when using LTB™ gain < 2

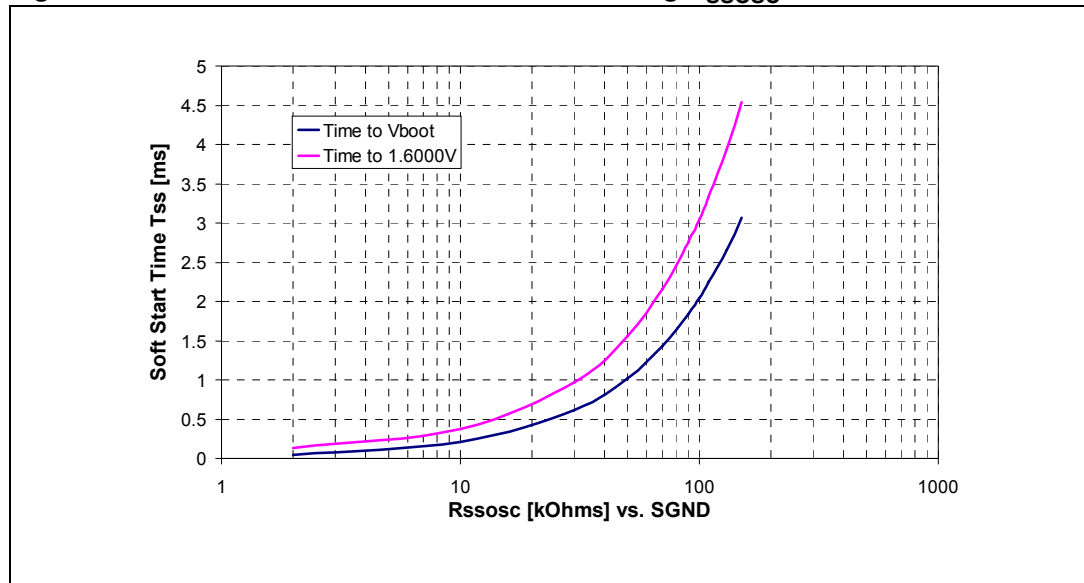


$$R_{SSOSC}[k\Omega] = T_2[\mu s] \cdot 4.9783 \cdot 10^{-2}$$

$$T_{SS}[\mu s] = 1075[\mu s] + \begin{cases} \frac{R_{SSOSC}[k\Omega]}{5.3816 \cdot 10^{-2}} \cdot V_{SS} & \text{if}(V_{SS} > V_{BOOT}) \\ \frac{R_{SSOSC}[k\Omega]}{5.3816 \cdot 10^{-2}} \cdot [V_{BOOT} + (V_{BOOT} - V_{SS})] & \text{if}(V_{SS} < V_{BOOT}) \end{cases}$$

where T<sub>SS</sub> is the time spent to reach the programmed voltage V<sub>SS</sub> and R<sub>SSOSC</sub> the resistor connected between SS/LTBG/AMD and SGND (R<sub>SSOSC</sub> = R<sub>1</sub> + R<sub>2</sub>) in kΩ.

Figure 19. Soft-start time for Intel mode when using R<sub>SSOSC</sub> versus SGND



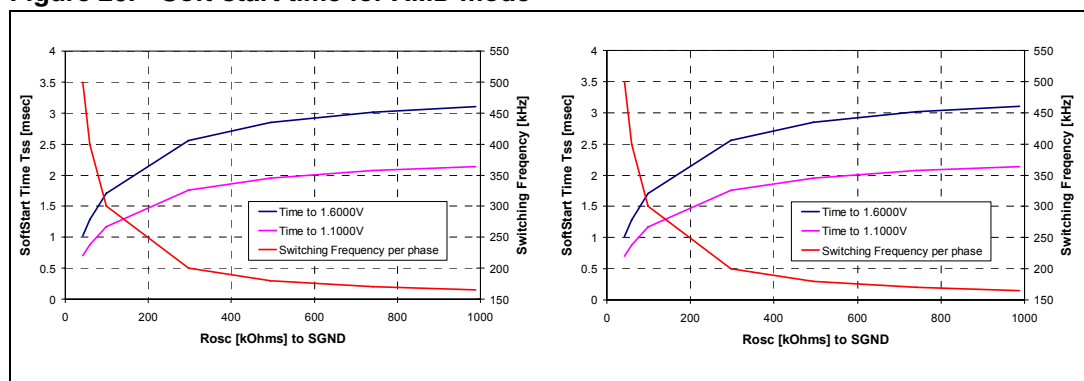
## 16.2 AMD mode

Once L6713A receives all the correct supplies and enables, and AMD mode has been selected, it initiates the soft-start by stepping the reference from zero up to the programmed VID code (See Figure 15); the clock now used to step the reference is the same as the main oscillator programmed by the OSC pin, SSOSC pin is not applicable in this case. The soft-start time results then (See Figure 20):

$$\frac{dV_{OUT}}{dT} = 3.125 \cdot F_{SW}[kHz] \Rightarrow T_{SS} = \frac{V_{SS}}{3.125 \cdot F_{SW}[kHz]}$$

where T<sub>SS</sub> is the time spent to reach V<sub>SS</sub> and F<sub>SW</sub> is the main switching frequency programmed by OSC pin. Protections are active during soft-start, UVP is enabled after the reference reaches 0.6 V while OVP is always active with the fixed 1.800 V threshold (or the programmed V<sub>OVP</sub>).

Figure 20. Soft-start time for AMD mode

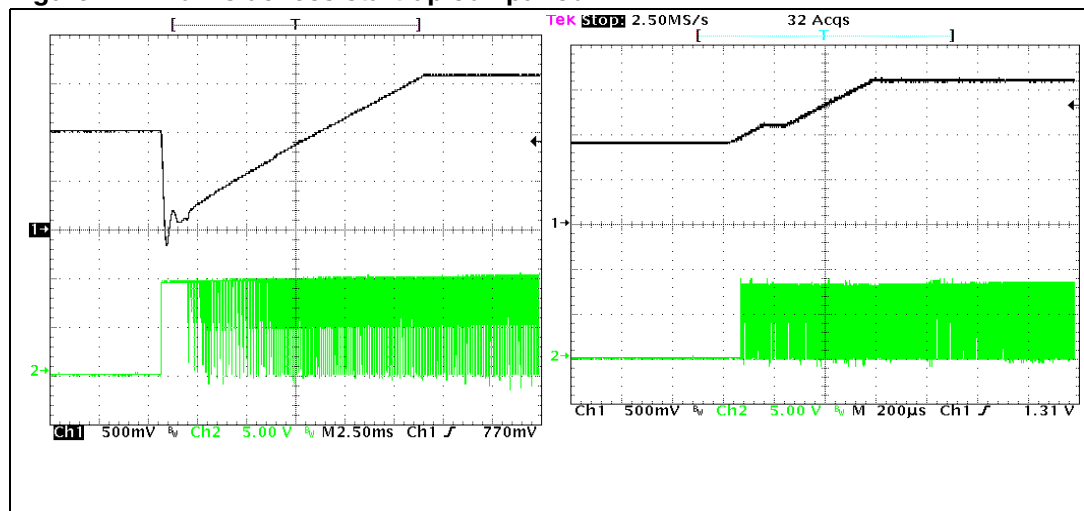


### 16.3 Low-side-less startup

In order to avoid any kind of negative undershoot on the load side during start-up, L6713A performs a special sequence in enabling LS driver to switch: during the soft-start phase, the LS driver results disabled (LS = OFF) until the HS starts to switch. This avoid the dangerous negative spike on the output voltage that can happen if starting over a pre-biased output (See Figure 21).

This particular feature of the device masks the LS turn-ON only from the control loop point of view: protections are still allowed to turn-ON the LS MOSFET in case of over voltage if needed.

Figure 21. Low-side-less start-up comparison



## 17 Output voltage monitor and protections

L6713A monitors through pin VSEN the regulated voltage in order to manage the OVP, UVP and PGOOD (when applicable) conditions. The device shows different thresholds when programming different operation mode (Intel or AMD, [See Table 12](#)) but the behavior in response to a protection event is still the same as described below.

When using OFFSET functionality the OVP, UVP and PGOOD thresholds change in according to the OFFSET voltage:

$$V_{\text{SEN}} = V_{\text{OUT}} - (R_{\text{OFFSET}}) \cdot (I_{\text{OFFSET}}) \Rightarrow V_{\text{OUT}}[\text{TH}] = V_{\text{SEN}}[\text{TH}] + (R_{\text{OFFSET}}) \cdot I_{\text{OFFSET}}$$

Protections are active also during soft-start ([See “Soft-start” Section](#)) while are masked during D-VID transitions with an additional 32 clock cycle delay after the transition has finished to avoid false triggering.

### 17.1 Under voltage

If the output voltage monitored by VSEN drops more than -750 mV below the programmed reference for more than one clock period, L6713A turns OFF all MOSFETs and latches the condition: to recover it is required to cycle Vcc or the OUTEN pin. This is independent of the selected operative mode.

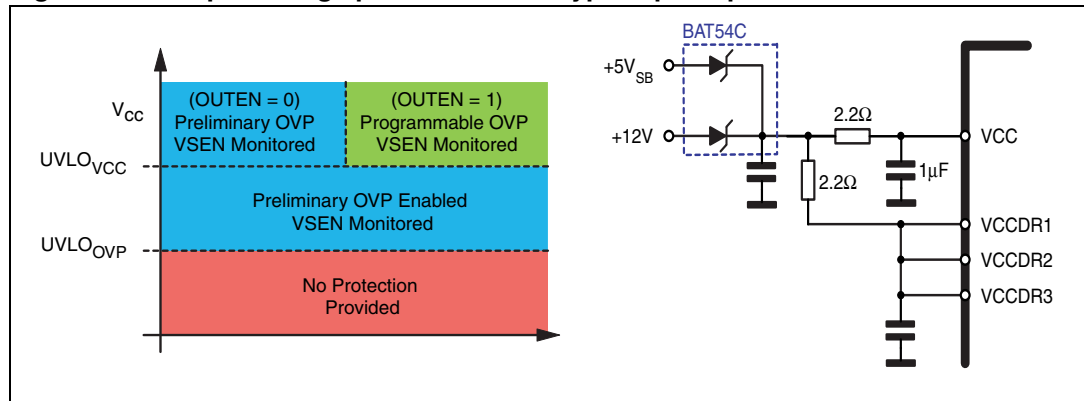
### 17.2 Preliminary over voltage

To provide a protection while VCC is below the  $UVLO_{VCC}$  threshold is fundamental to avoid damage to the CPU in case of failed HS MOSFETs. In fact, since the device is supplied from the 12 V bus, it is basically “blind” for any voltage below the turn-ON threshold ( $UVLO_{VCC}$ ). In order to give full protection to the load, a preliminary-OVP protection is provided while VCC is within  $UVLO_{VCC}$  and  $UVLO_{OVP}$

This protection turns-ON the low side MOSFETs as long as the VSEN pin voltage is greater than 1.800 V with a 350 mV hysteresis. When set, the protection drives the LS MOSFET with a gate-to-source voltage depending on the voltage applied to VCCDRx and independently by the turn-ON threshold across these pins ( $UVLO_{VCCDR}$ ). This protection depends also on the OUTEN pin status as detailed in [Figure 22](#).

A simple way to provide protection to the output in all conditions when the device is OFF (then avoiding the unprotected red region in [Figure 22-Left](#)) consists in supplying the controller through the 5 V<sub>SB</sub> bus as shown in [Figure 22-Right](#): 5 V<sub>SB</sub> is always present before +12 V and, in case of HS short, the LS MOSFET is driven with 5 V assuring a reliable protection of the load. Preliminary OVP is always active before  $UVLO_{VCC}$  for both Intel and AMD modes.

Figure 22. Output voltage protections and typical principle connections



### 17.3 Over voltage and programmable OVP

Once VCC crosses the turn-ON threshold and the device is enabled (OUTEN = 1), L6713A provides an over voltage protection: when the voltage sensed by VSEN overcomes the OVP threshold, the controller permanently switches on all the low-side MOSFETs and switches OFF all the high-side MOSFETs in order to protect the load. The OSC/ FAULT pin is driven high (5 V) and power supply or OUTEN pin cycling is required to restart operations. The OVP Threshold varies according to the operative mode selected (See Table 12).

The OVP threshold can be also programmed through the OVP pin: leaving the pin floating, it is internally pulled-up and the OVP threshold is set according to Table 12. Connecting the OVP pin to SGND through a resistor R<sub>OVP</sub> the OVP threshold becomes the voltage present at the pin. Since the OVP pin sources a constant I<sub>OVP</sub> = 12.5 μA current (See Table 5), the programmed voltage becomes:

$$OVP_{TH} = R_{OVP} \cdot 12.5\mu A \quad \Rightarrow \quad R_{OVP} = \frac{OVP_{TH}}{12.5\mu A}$$

Filter OVP pin with 100 pF(max) vs. SGND.

### 17.4 PGOOD (only for AMD mode)

It is an open-drain signal set free after the soft-start sequence has finished. It is pulled low when the output voltage drops below -300 mV of the programmed voltage.



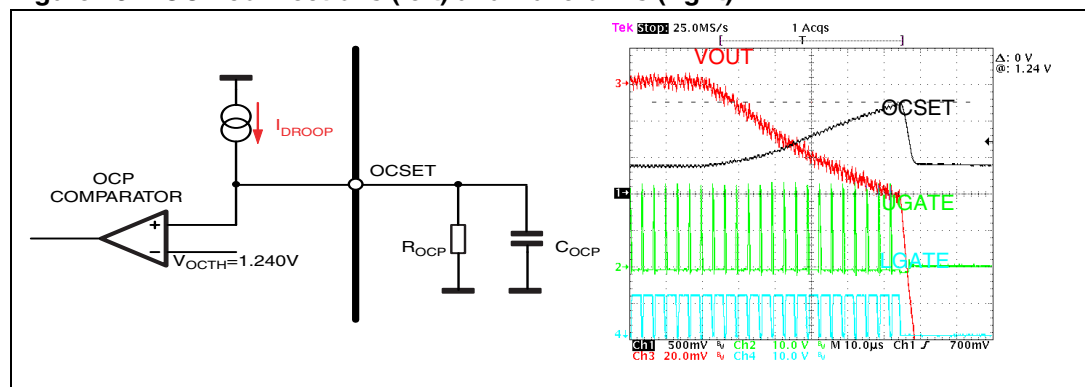
## 18 Over current protection

The device limits the total delivered current turning OFF all the MOSFETs as soon as the delivery current is higher than an adjustable thresholds. This condition is latched and power supply or OUTEN pin cycling is required to restart operations.

The device sources a copy of  $I_{DROOP}$  current from the OCSET pin: connecting a resistor  $R_{OCP}$  between OCSET pin and SGND the voltage at the OCSET pin depends on the total delivery output current, as shown in the following relationships:

$$V_{OCSET} = R_{OCP} \cdot I_{DROOP} = R_{OCP} \cdot \frac{DCR}{R_G} \cdot I_{OUT}$$

**Figure 23. OCP connections (left) and waveforms (right)**



As soon as the OCSET pin voltage is higher than the internal fixed thresholds  $V_{OCTH}$  (1.24 V TYP, See Table 5), the device turns OFF all the MOSFETs and latches the condition.

The OCP threshold can be easily programmed through the  $R_{OCP}$  resistor:

$$R_{OCP} = \frac{R_G}{DCR} \cdot \frac{V_{OCTH}}{I_{OUT(OCP)}}$$

The output over current threshold has to be programmed, by designing the  $R_{OCP}$  resistors, to a safe value, in order to be sure that the device doesn't enter OCP during normal operation of the device. This value must take into consideration also the extra current needed during the dynamic VID transition  $I_{D-VID}$  and, since the device reads across inductor DCR, the process spread and temperature variations of these sensing elements.

Moreover, since also the internal threshold spreads, the  $R_{OCP}$  design has to consider the minimum value  $V_{OCTH(min)}$  of the threshold as follow:

$$R_{OCP} = \frac{R_G}{DCR(max)} \cdot \frac{V_{OCTH(min)}}{I_{OUT(OCP)}}$$

where  $I_{OUT(OCP)}$  is the total delivery current for the over current condition and it must be calculated considering the maximum delivery current and  $I_{D-VID}$  (when D-VID are implemented):

$$I_{OUT(OCP)} > I_{OUT}^{MAX} + I_{D-VID}$$

When it is necessary, filter OCSET pin to introduce a small delay in the over current intervention.

# 19 Oscillator

L6713A embeds two/three phase oscillator with optimized phase-shift (180°/120° phase-shift) in order to reduce the input rms current and optimize the output filter definition.

The internal oscillator generates the triangular waveform for the PWM charging and discharging with a constant current an internal capacitor. The switching frequency for each channel,  $F_{SW}$ , is internally fixed at 200 kHz so that the resulting switching frequency at the load side results in being multiplied by N (number of phases).

The current delivered to the oscillator is typically 25  $\mu$ A (corresponding to the free running frequency  $F_{SW} = 200$  kHz) and it may be varied using an external resistor ( $R_{OSC}$ ) connected between the OSC pin and SGND or VCC (or a fixed voltage greater than 1.24 V). Since the OSC pin is fixed at 1.24 V, the frequency is varied proportionally to the current sunk (forced) from (into) the pin considering the internal gain of 6 KHz/ $\mu$ A.

In particular connecting  $R_{OSC}$  to SGND the frequency is increased (current is sunk from the pin), while connecting  $R_{OSC}$  to VCC = 12 V the frequency is reduced (current is forced into the pin), according the following relationships:

$R_{OSC}$  vs. SGND

$$F_{SW} = 200(\text{kHz}) + \frac{1.240\text{V}}{R_{OSC}(\text{k}\Omega)} \cdot 6 \frac{\text{kHz}}{\mu\text{A}} = 200(\text{kHz}) + \frac{7.422 \cdot 10^3}{R_{OSC}(\text{k}\Omega)} \Rightarrow$$

$$\Rightarrow R_{OSC}(\text{k}\Omega) = \frac{7.422 \cdot 10^3}{F_{SW}(\text{kHz}) - 200(\text{kHz})} [\text{k}\Omega]$$

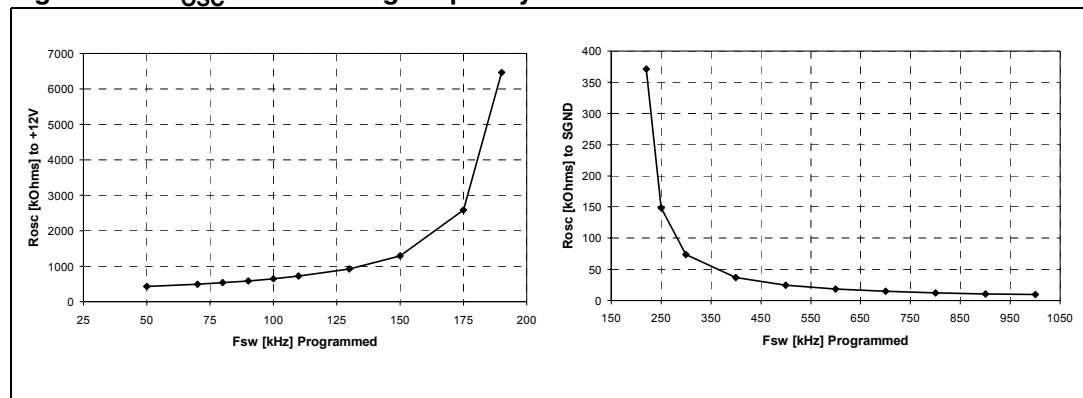
$R_{OSC}$  vs. +12V

$$F_{SW} = 200(\text{kHz}) - \frac{12\text{V} - 1.240\text{V}}{R_{OSC}(\text{k}\Omega)} \cdot \frac{8\text{kHz}}{\mu\text{A}} = 200(\text{kHz}) - \frac{8.608 \cdot 10^4}{R_{OSC}(\text{k}\Omega)} \Rightarrow$$

$$\Rightarrow R_{OSC}(\text{k}\Omega) = \frac{8.608 \cdot 10^4}{200(\text{kHz}) - F_{SW}(\text{kHz})} [\text{k}\Omega]$$

Maximum programmable switching frequency per phase must be limited to 1 MHz to avoid minimum  $T_{on}$  limitation. Anyway, device power dissipation must be checked prior to design high switching frequency systems.

**Figure 24.  $R_{OSC}$  vs. switching frequency**



## 20 Driver section

The integrated high-current drivers allow using different types of power MOS (also multiple MOS to reduce the equivalent  $R_{DS(on)}$ ), maintaining fast switching transition.

The drivers for the high-side MOSFETs use BOOTx pins for supply and PHASEx pins for return. The drivers for the low-side MOSFETs use VCCDRx pin for supply and PGNDx pin for return. A minimum voltage at VCCDRx pin is required to start operations of the device. VCCDRx pins must be connected together.

The controller embodies a sophisticated anti-shoot-through system to minimize low side body diode conduction time maintaining good efficiency saving the use of Schottky diodes: when the high-side MOSFET turns OFF, the voltage on its source begins to fall; when the voltage reaches 2 V, the low-side MOSFET gate drive is suddenly applied. When the low-side MOSFET turns OFF, the voltage at LGATEx pin is sensed. When it drops below 1 V, the high-side MOSFET gate drive is suddenly applied.

If the current flowing in the inductor is negative, the source of high-side MOSFET will never drop. To allow the turning on of the low-side MOSFET even in this case, a watchdog controller is enabled: if the source of the high-side MOSFET doesn't drop, the low side MOSFET is switched on so allowing the negative current of the inductor to recirculate. This mechanism allows the system to regulate even if the current is negative.

The BOOTx and VCCDRx pins are separated from IC's power supply (VCC pin) as well as signal ground (SGND pin) and power ground (PGNDx pin) in order to maximize the switching noise immunity. The separated supply for the different drivers gives high flexibility in MOSFET choice, allowing the use of logic-level MOSFET. Several combination of supply can be chosen to optimize performance and efficiency of the application.

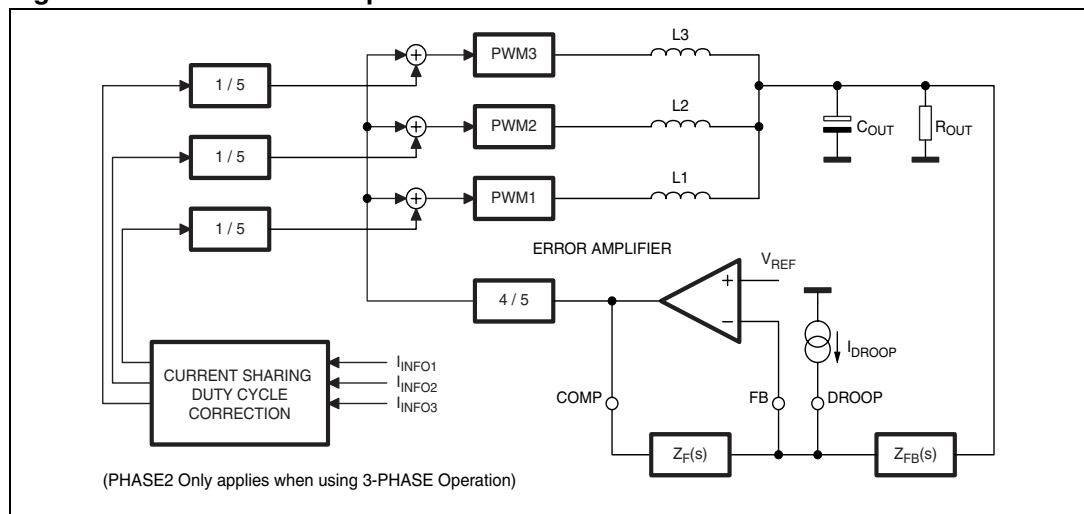
Power conversion input is also flexible; 5 V, 12 V bus or any bus that allows the conversion (See maximum duty cycle limitations) can be chosen freely.

## 21 System control loop compensation

The control loop is composed by the current sharing control loop (See Figure 9) and the average current mode control loop. Each loop gives, with a proper gain, the correction to the PWM in order to minimize the error in its regulation: the current sharing control loop equalize the currents in the inductors while the average current mode control loop fixes the output voltage equal to the reference programmed by VID. Figure 25 shows the block diagram of the system control loop.

The system control loop is reported in Figure 26. The current information  $I_{DROOP}$  sourced by the DROOP pin flows into  $R_{FB}$  implementing the dependence of the output voltage from the read current.

Figure 25. Main control loop



The system can be modeled with an equivalent single phase converter which only difference is the equivalent inductor  $L/N$  (where each phase has an  $L$  inductor). The control loop gain results (obtained opening the loop after the COMP pin):

$$G_{LOOP}(s) = \frac{PWM \cdot Z_F(s) \cdot (R_{DROOP} + Z_P(s))}{[Z_P(s) + Z_L(s)] \cdot \left[ \frac{Z_F(s)}{A(s)} + \left(1 + \frac{1}{A(s)}\right) \cdot R_{FB} \right]}$$

Where:

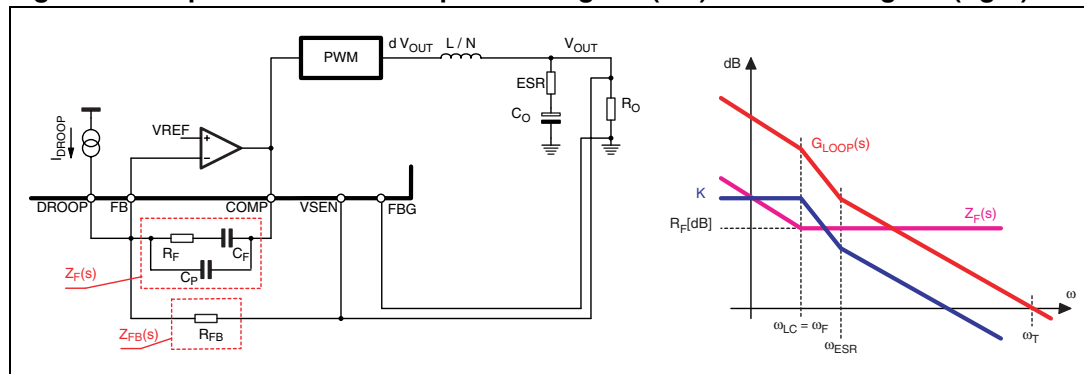
- DCR is the Inductor parasitic resistance;
- $R_{DROOP} = \frac{DCR}{R_g} \cdot R_{FB}$  is the equivalent output resistance determined by the droop function;
- $Z_P(s)$  is the impedance resulting by the parallel of the output capacitor (and its ESR) and the applied load  $R_O$ ;
- $Z_F(s)$  is the compensation network impedance;
- $Z_L(s)$  is the parallel of the  $N$  inductor impedance;
- $A(s)$  is the error amplifier gain;
- $PWM = \frac{4}{5} \cdot \frac{V_{IN}}{\Delta V_{OSC}}$  is the PWM transfer function where  $\Delta V_{OSC}$  is the oscillator ramp amplitude and has a typical value of 3 V.

Removing the dependence from the error amplifier gain, so assuming this gain high enough, and with further simplifications, the control loop gain results:

$$G_{\text{LOOP}}(s) = \frac{4}{5} \cdot \frac{V_{\text{IN}}}{\Delta V_{\text{OSC}}} \cdot \frac{Z_{\text{F}}(s)}{R_{\text{FB}}} \cdot \frac{R_{\text{O}} + R_{\text{DROOP}}}{R_{\text{O}} + \frac{R_{\text{L}}}{N}} \cdot \frac{1 + s \cdot C_{\text{O}} \cdot (R_{\text{DROOP}} // R_{\text{O}} + \text{ESR})}{s^2 \cdot C_{\text{O}} \cdot \frac{L}{N} + s \cdot \left[ \frac{L}{N \cdot R_{\text{O}}} + C_{\text{O}} \cdot \text{ESR} + C_{\text{O}} \cdot \frac{R_{\text{L}}}{N} \right] + 1}$$

The system control loop gain (See Figure 26) is designed in order to obtain a high DC gain to minimize static error and to cross the 0dB axes with a constant -20dB/dec slope with the desired crossover frequency  $\omega_{\text{T}}$ . Neglecting the effect of  $Z_{\text{F}}(s)$ , the transfer function has one zero and two poles; both the poles are fixed once the output filter is designed (LC filter resonance  $\omega_{\text{LC}}$ ) and the zero ( $\omega_{\text{ESR}}$ ) is fixed by ESR and the Droop resistance.

**Figure 26. Equivalent control loop block diagram (left) and bode diagram (right)**



To obtain the desired shape an  $R_{\text{F}}\text{-}C_{\text{F}}$  series network is considered for the  $Z_{\text{F}}(s)$  implementation. A zero at  $\omega_{\text{F}} = 1/R_{\text{F}}C_{\text{F}}$  is then introduced together with an integrator. This integrator minimizes the static error while placing the zero  $\omega_{\text{F}}$  in correspondence with the L-C resonance assures a simple -20dB/dec shape of the gain.

In fact, considering the usual value for the output filter, the LC resonance results to be at frequency lower than the above reported zero.

Compensation network can be simply designed placing  $\omega_{\text{F}} = \omega_{\text{LC}}$  and imposing the crossover frequency  $\omega_{\text{T}}$  as desired obtaining (always considering that  $\omega_{\text{T}}$  might be not higher than 1/10th of the switching frequency  $F_{\text{SW}}$ ):

$$R_{\text{F}} = \frac{R_{\text{FB}} \cdot \Delta V_{\text{OSC}}}{V_{\text{IN}}} \cdot \frac{5}{4} \cdot \omega_{\text{T}} \cdot \frac{L}{N \cdot (R_{\text{DROOP}} + \text{ESR})}$$

$$C_{\text{F}} = \frac{\sqrt{C_{\text{O}} \cdot \frac{L}{N}}}{R_{\text{F}}}$$

Moreover, it is suggested to filter the high frequency ripple on the COMP pin adding also a capacitor between COMP pin and FB pin (it does not change the system bandwidth):

$$C_{\text{P}} = \frac{1}{2 \cdot \pi \cdot R_{\text{F}} \cdot N \cdot F_{\text{SW}}}$$

## 22 Thermal monitor

L6713A continuously senses the system temperature through TM pin: depending on the voltage sensed by this pin, the device sets free the VR\_FAN pin as a warning and, after further temperature increase, also the VR\_HOT pin as an alarm condition.

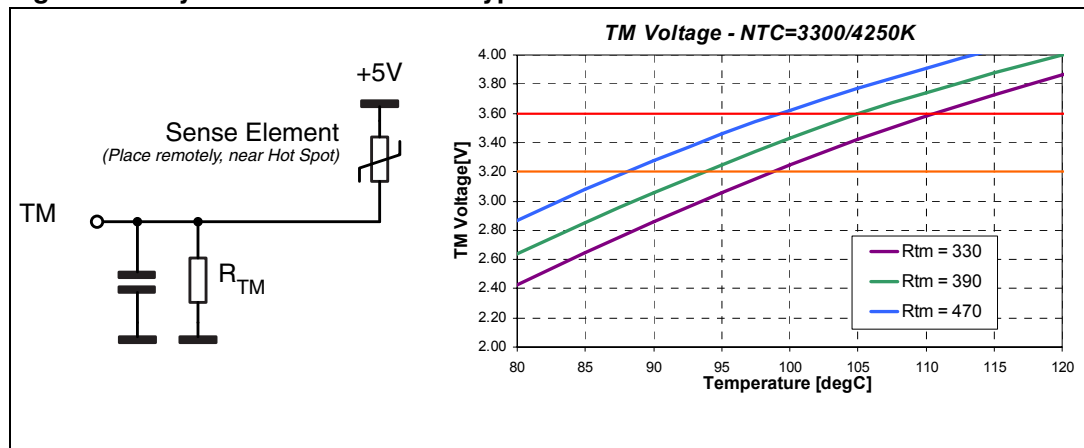
These signals can be used to give a boost to the system fan (VR\_FAN) and improve the VR cooling, or to initiate the CPU low power state (VR\_HOT) in order to reduce the current demand from the processor so reducing also the VR temperature. In a different manner, VR\_FAN can be used to initiate the CPU low power state so reducing the processor current requirements and VR\_HOT to reset the system in case of further dangerous temperature increase.

Thermal sensors is external to the PWM control IC since the controller is normally not located near the heat generating components: it is basically composed by a NTC resistor and a proper biasing resistor  $R_{TM}$ . NTC must be connected as close as possible at the system hot-spot in order to be sure to control the hottest point of the VR.

Typical connection is reported in Figure 27 that also shows how the trip point can be easily programmed by modifying the divider values in order to cross the VR\_FAN and VR\_HOT thresholds at the desired temperatures.

Both VR\_HOT and VR\_FAN are active high and open drain outputs. Thermal Monitor function is enabled if  $V_{CC} >> UVLO_{VCC}$ .

**Figure 27. System thermal monitor typical connections**



## 23 Tolerance band (TOB) definition

Output voltage load-line varies considering component process variation, system temperature extremes, and age degradation limits. Moreover, individual tolerance of the components also varies among designs: it is then possible to define a manufacturing tolerance band ( $TOB_{\text{Manuf}}$ ) that defines the possible output voltage spread across the nominal load line characteristic.

$TOB_{\text{Manuf}}$  can be sliced into different three main categories: Controller tolerance, external current sense circuit tolerance and time constant matching error tolerance. All these parameters can be composed thanks to the RSS analysis so that the manufacturing variation on TOB results to be:

$$TOB_{\text{Manuf}} = \sqrt{TOB_{\text{Controller}}^2 + TOB_{\text{CurrSense}}^2 + TOB_{\text{TCMatching}}^2}$$

Output voltage ripple ( $V_P=V_{PP}/2$ ) and temperature measurement error ( $V_{TC}$ ) must be added to the manufacturing TOB in order to get the system tolerance band as follow:

$$TOB = TOB_{\text{Manuf}} + V_P + V_{TC}$$

All the component spreads and variations are usually considered at  $3\sigma$ . Here follows an explanation on how to calculate these parameters for a reference L6713A application.

### 23.1 Controller tolerance ( $TOB_{\text{Controller}}$ )

It can be further sliced as follow:

- Reference tolerance. L6713A is trimmed during the production stage to ensure the output voltage to be within  $k_{VID} = \pm 0.5\%$  ( $\pm 0.6\%$  for AMD DAC) over temperature and line variations. In addition, the device automatically adds a -19 mV offset (Only for Intel mode) avoiding the use of any external component. This offset is already included during the trimming process in order to avoid the use of any external circuit to generate this offsets and, moreover, avoiding the introduction of any further error to be considered in the TOB calculation.
- Current reading circuit. The device reads the current flowing across the inductor DCR by using its dedicated differential inputs. The current sourced by the VRD is then reproduced and sourced from the DROOP pin scaled down by a proper designed gain as follow:

$$I_{\text{DROOP}} = \frac{\text{DCR}}{R_g} \cdot I_{\text{OUT}}$$

This current multiplied by the  $R_{FB}$  resistor connected from FB pin vs. the load allows programming the droop function according to the selected  $\text{DCR}/R_g$  gain and  $R_{FB}$  resistor. Deviations in the current sourced due to errors in the current reading, impacts on the output voltage depending on the size of  $R_{FB}$  resistor. The device is trimmed during the production stage in order to guarantee a maximum deviation of  $k_{IFB} = \pm 1 \mu\text{A}$  from the nominal value.

Controller tolerance results then to be:

$$TOB_{\text{Controller}} = \sqrt{[(\text{VID} - 19\text{mV}) \cdot k_{VID}]^2 + (k_{\text{IDROOP}} \cdot R_{FB})^2}$$

## 23.2 Ext. current sense circuit tolerance ( $TOB_{CurrSense}$ )

It can be further sliced as follow:

- Inductor DCR Tolerance ( $k_{DCR}$ ). Variations in the inductor DCR impacts on the output voltage since the device reads a current that is different from the real current flowing into the sense element. As a results, the controller will source a  $I_{DROOP}$  current different from the nominal. The results will be an AVP different from the nominal in the same percentage as the DCR is different from the nominal. Since all the sense elements results to be in parallel, the error related to the inductor DCR has to be divided by the number of phases (N).
- Trans-conductance resistors tolerance ( $k_{Rg}$ ). Variations in the Rg resistors impacts in the current reading circuit gain and so impacts on the output voltage. The results will be an AVP different from the nominal in the same percentage as the Rg is different from the nominal. Since all the sense elements results to be in parallel, and so the three current reading circuits, the error related to the Rg resistors has to be divided by the number of phases (N).
- NTC initial accuracy ( $k_{NTC_0}$ ). Variations in the NTC nominal value at room temperature used for the thermal compensation impacts on the AVP in the same percentage as before. In addition, the benefit of the division by the number of phases N cannot be applied in this case.
- NTC temperature accuracy ( $k_{NTC}$ ). NTC variations from room to hot also impacts on the output voltage positioning. The impact is bigger as big is the temperature variation from room to hot ( $\Delta T$ ).

All these parameters impacts the AVP, so they must be weighted on the maximum voltage swing from zero load up to the maximum electrical current ( $V_{AVP}$ ). Total error from external current sense circuit results:

$$TOB_{CurrSense} = \sqrt{V_{AVP}^2 \cdot \left[ \frac{k_{DCR}^2}{N} + \frac{k_{Rg}^2}{N} + k_{NTC0}^2 + \left( \frac{\alpha \cdot \Delta T \cdot k_{NTC}}{DCR} \right)^2 \right]}$$

## 23.3 Time constant matching error tolerance ( $TOB_{TCMatching}$ )

- Inductance and capacitance tolerance ( $k_L, k_C$ ). Variations in the inductance value and in the value of the capacitor used for the time constant matching causes over/under shoots after a load transient appliance. This impacts the output voltage and then the TOB. Since all the sense elements results to be in parallel, the error related to the time constant mismatch has to be divided by the number of phases (N).
- Capacitance temperature variations ( $k_{Ct}$ ). The capacitor used for time constant matching also vary with temperature ( $\Delta T_C$ ) impacting on the output voltage transients ad before. Since all the sense elements results to be in parallel, the error related to the time constant mismatch has to be divided by the number of phases (N).

All these parameters impact the dynamic AVP, so they must be weighted on the maximum dynamic voltage swing ( $I_{dyn}$ ). Total error due to time constant mismatch results:

$$TOB_{TCMatching} = \sqrt{V_{AVPDyn}^2 \cdot \frac{k_L^2 + k_C^2 + (k_{Ct} \cdot \Delta T_C)^2}{N}}$$



## 23.4 Temperature measurement error ( $V_{TC}$ )

Error in the measured temperature (for thermal compensation) impacts on the output regulated voltage since the correction from the compensation circuit is not what required to keep the output voltage flat.

The measurement error ( $\epsilon_{Temp}$ ) must be multiplied by the copper temp coefficient ( $\alpha$ ) and compared with the sensing resistance ( $R_{SENSE}$ ): this percentage affects the AVP voltage as follow:

$$V_{TC} = \frac{\alpha \cdot \epsilon_{Temp}}{R_{SENSE}} \cdot V_{AVP}$$

## 24 Layout guidelines

Since the device manages control functions and high-current drivers, layout is one of the most important things to consider when designing such high current applications. A good layout solution can generate a benefit in lowering power dissipation on the power paths, reducing radiation and a proper connection between signal and power ground can optimize the performance of the control loops.

Two kind of critical components and connections have to be considered when laying out a VRM based on L6713A: power components and connections and small signal components connections.

### 24.1 Power components and connections

These are the components and connections where switching and high continuous current flows from the input to the load. The first priority when placing components has to be reserved to this power section, minimizing the length of each connection and loop as much as possible. To minimize noise and voltage spikes (EMI and losses) these interconnections must be a part of a power plane and anyway realized by wide and thick copper traces: loop must be anyway minimized. The critical components, i.e. the power transistors, must be close one to the other. The use of multi-layer printed circuit board is recommended.

Figure 28 shows the details of the power connections involved and the current loops. The input capacitance ( $C_{IN}$ ), or at least a portion of the total capacitance needed, has to be placed close to the power section in order to eliminate the stray inductance generated by the copper traces. Low ESR and ESL capacitors are preferred, MLCC are suggested to be connected near the HS drain.

Use proper VIAs number when power traces have to move between different planes on the PCB in order to reduce both parasitic resistance and inductance. Moreover, reproducing the same high-current trace on more than one PCB layer will reduce the parasitic resistance associated to that connection.

Connect output bulk capacitor as near as possible to the load, minimizing parasitic inductance and resistance associated to the copper trace also adding extra decoupling capacitors along the way to the load when this results in being far from the bulk capacitor bank.

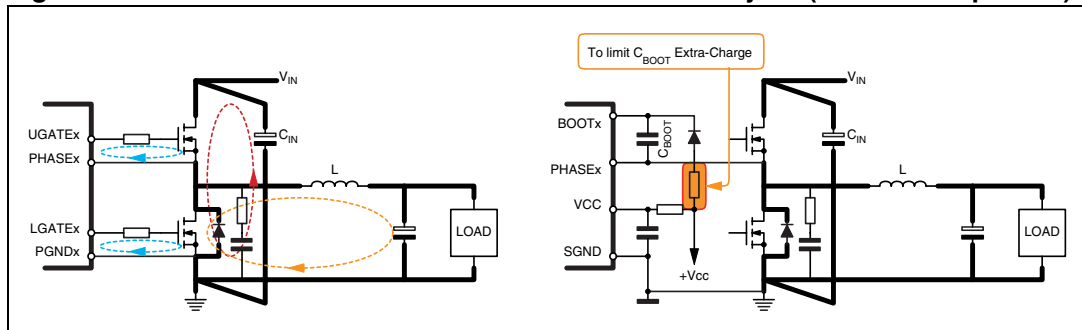
Gate traces must be sized according to the driver RMS current delivered to the power MOSFET. The device robustness allows managing applications with the power section far from the controller without losing performances. External gate resistors help the device to dissipate power resulting in a general cooling of the device. When driving multiple MOSFETs in parallel, it is suggested to use one resistor for each MOSFET.

## 24.2 Small signal components and connections

These are small signal components and connections to critical nodes of the application as well as bypass capacitors for the device supply (See Figure 28). Locate the bypass capacitor (VCC, VCCDRx and Bootstrap capacitor) close to the device and refer sensible components such as frequency set-up resistor  $R_{OSC}$ , over current resistor  $R_{OCP}$  and OVP resistor  $R_{OVP}$  to SGND. Star grounding is suggested: connect SGND to PGND plane in a single point to avoid that drops due to the high current delivered causes errors in the device behavior.

**Warning: Boot capacitor extra charge. Systems that do not use Schottky diodes might show big negative spikes on the phase pin. This spike can be limited as well as the positive spike but has an additional consequence: it causes the bootstrap capacitor to be over-charged. This extra-charge can cause, in the worst case condition of maximum input voltage and during particular transients, that boot-to-phase voltage overcomes the abs. max. ratings also causing device failures. It is then suggested in this cases to limit this extra-charge by adding a small resistor in series to the boot diode (one resistor can be enough for all the three diodes if placed upstream the diode anode, See Figure 28) and by using standard and low-capacitive diodes.**

Figure 28. Power connections and related connections layout (same for all phases)



Remote sensing connection must be routed as parallel nets from the FB/VSEN pins to the load in order to avoid the pick-up of any common mode noise. Connecting these pins in points far from the load will cause a non-optimum load regulation, increasing output tolerance.

Locate current reading components close to the device. The PCB traces connecting the reading point must use dedicated nets, routed as parallel traces in order to avoid the pick-up of any common mode noise. It's also important to avoid any offset in the measurement and, to get a better precision, to connect the traces as close as possible to the sensing elements. Symmetrical layout is also suggested. Small filtering capacitor can be added, near the controller, between  $V_{OUT}$  and SGND, on the CSx- line to allow higher layout flexibility.

## 25 Embedding L6713A - based VR

When embedding the VRD into the application, additional care must be taken since the whole VRD is a switching DC/DC regulator and the most common system in which it has to work is a digital system such as MB or similar. In fact, latest MB has become faster and powerful: high speed data bus are more and more common and switching-induced noise produced by the VRD can affect data integrity if not following additional layout guidelines. Few easy points must be considered mainly when routing traces in which high switching currents flow (high switching currents cause voltage spikes across the stray inductance of the trace causing noise that can affect the near traces):

Keep safe guarding distance between high current switching VRD traces and data buses, especially if high-speed data bus to minimize noise coupling.

Keep safe guard distance or filter properly when routing bias traces for I/O sub-systems that must walk near the VRD.

Possible causes of noise can be located in the PHASE connections, MOSFET gate drive and Input voltage path (from input bulk capacitors and HS drain). Also PGND connections must be considered if not insisting on a power ground plane. These connections must be carefully kept far away from noise-sensitive data bus.

Since the generated noise is mainly due to the switching activity of the VRM, noise emissions depend on how fast the current switches. To reduce noise emission levels, it is also possible, in addition to the previous guidelines, to reduce the current slope by properly tuning the HS gate resistor and the PHASE snubber network.

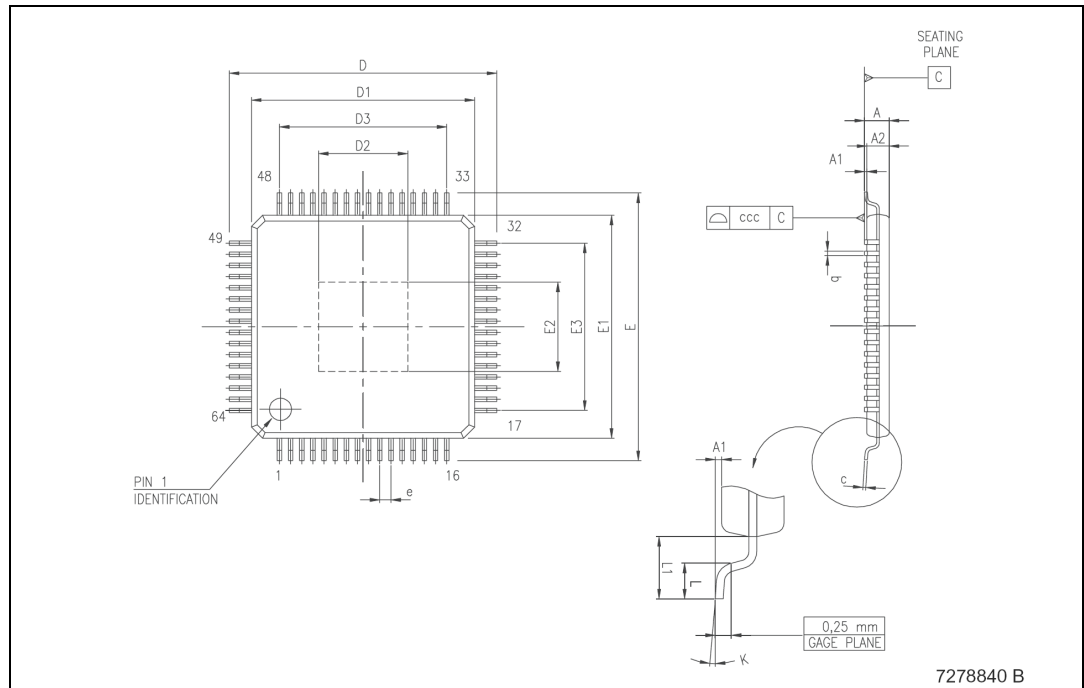
## 26 Package mechanical data

In order to meet environmental requirements, ST offers these devices in ECOPACK® packages. These packages have a lead-free second level interconnect. The category of second level interconnect is marked on the package and on the inner box label, in compliance with JEDEC Standard JESD97. The maximum ratings related to soldering conditions are also marked on the inner box label. ECOPACK is an ST trademark. ECOPACK specifications are available at: [www.st.com](http://www.st.com)

Table 15. TQFP64 mechanical data

Dim.	mm.			inch		
	Min.	Typ.	Max.	Min.	Typ.	Max.
A			1.20			0.0472
A1	0.05		0.15	0.002		0.006
A2	0.95	1.00	1.05	0.0374	0.0393	0.0413
b	0.17	0.22	0.27	0.0066	0.0086	0.0086
c	0.09		0.20	0.0035		0.0078
D	11.80	12.00	12.20	0.464	0.472	0.480
D1	9.80	10.00	10.20	0.386	0.394	0.401
D2	3.50		6.10	0.1378		0.2402
D3		7.50			0.295	
E	11.80	12.00	12.20	0.464	0.472	0.480
E1	9.80	10.00	10.20	0.386	0.394	0.401
E2	3.50		6.10	0.1378		0.2402
E3		7.50			0.295	
e		0.50			0.0197	
L	0.45	0.60	0.75	0.0177	0.0236	0.0295
L1		1.00			0.0393	
k	0°	3.5°	7°	0°	3.5°	7°
ccc			0.080			0.0031

Figure 29. Package dimensions



## 27 Revision history

**Table 16. Document revision history**

<b>Date</b>	<b>Revision</b>	<b>Changes</b>
03-Mar-2006	1	Initial release.
07-Nov-2006	2	Updated D2 and E2 exposed tab measures in <a href="#">Table 15: TQFP64 mechanical data</a>
04-Aug-2008	3	Updated <a href="#">Table 2 on page 7</a> , <a href="#">Table 4 on page 12</a> , <a href="#">Figure 22 on page 48</a> , <a href="#">Section 19 on page 50</a> ,

**Please Read Carefully:**

Information in this document is provided solely in connection with ST products. STMicroelectronics NV and its subsidiaries ("ST") reserve the right to make changes, corrections, modifications or improvements, to this document, and the products and services described herein at any time, without notice.

All ST products are sold pursuant to ST's terms and conditions of sale.

Purchasers are solely responsible for the choice, selection and use of the ST products and services described herein, and ST assumes no liability whatsoever relating to the choice, selection or use of the ST products and services described herein.

No license, express or implied, by estoppel or otherwise, to any intellectual property rights is granted under this document. If any part of this document refers to any third party products or services it shall not be deemed a license grant by ST for the use of such third party products or services, or any intellectual property contained therein or considered as a warranty covering the use in any manner whatsoever of such third party products or services or any intellectual property contained therein.

**UNLESS OTHERWISE SET FORTH IN ST'S TERMS AND CONDITIONS OF SALE ST DISCLAIMS ANY EXPRESS OR IMPLIED WARRANTY WITH RESPECT TO THE USE AND/OR SALE OF ST PRODUCTS INCLUDING WITHOUT LIMITATION IMPLIED WARRANTIES OF MERCHANTABILITY, FITNESS FOR A PARTICULAR PURPOSE (AND THEIR EQUIVALENTS UNDER THE LAWS OF ANY JURISDICTION), OR INFRINGEMENT OF ANY PATENT, COPYRIGHT OR OTHER INTELLECTUAL PROPERTY RIGHT.**

**UNLESS EXPRESSLY APPROVED IN WRITING BY AN AUTHORIZED ST REPRESENTATIVE, ST PRODUCTS ARE NOT RECOMMENDED, AUTHORIZED OR WARRANTED FOR USE IN MILITARY, AIR CRAFT, SPACE, LIFE SAVING, OR LIFE SUSTAINING APPLICATIONS, NOR IN PRODUCTS OR SYSTEMS WHERE FAILURE OR MALFUNCTION MAY RESULT IN PERSONAL INJURY, DEATH, OR SEVERE PROPERTY OR ENVIRONMENTAL DAMAGE. ST PRODUCTS WHICH ARE NOT SPECIFIED AS "AUTOMOTIVE GRADE" MAY ONLY BE USED IN AUTOMOTIVE APPLICATIONS AT USER'S OWN RISK.**

Resale of ST products with provisions different from the statements and/or technical features set forth in this document shall immediately void any warranty granted by ST for the ST product or service described herein and shall not create or extend in any manner whatsoever, any liability of ST.

ST and the ST logo are trademarks or registered trademarks of ST in various countries.

Information in this document supersedes and replaces all information previously supplied.

The ST logo is a registered trademark of STMicroelectronics. All other names are the property of their respective owners.

© 2008 STMicroelectronics - All rights reserved

STMicroelectronics group of companies

Australia - Belgium - Brazil - Canada - China - Czech Republic - Finland - France - Germany - Hong Kong - India - Israel - Italy - Japan - Malaysia - Malta - Morocco - Singapore - Spain - Sweden - Switzerland - United Kingdom - United States of America

[www.st.com](http://www.st.com)