

MRF421



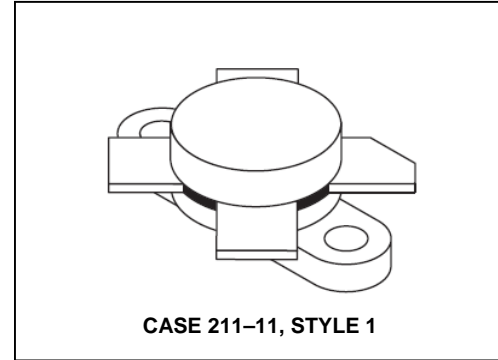
The RF Line NPN Silicon Power Transistor 100W(PEP), 30MHz, 28V

M/A-COM Products
Released - Rev. 07.07

Designed primarily for application as a high-power linear amplifier from 2.0 to 30 MHz.

Product Image

- Specified 12.5 V, 30 MHz characteristics —
Output power = 100 W (PEP)
Minimum gain = 10 dB
Efficiency = 40%
- Intermodulation distortion @ 100 W (PEP) — IMD = -30 dB (min.)
- 100% tested for load mismatch at all phase angles with 30:1 VSWR



MAXIMUM RATINGS

Rating	Symbol	Value	Unit
Collector-Emitter Voltage	V_{CEO}	20	Vdc
Collector-Base Voltage	V_{CBO}	45	Vdc
Emitter-Base Voltage	V_{EBO}	3.0	Vdc
Collector Current — Continuous	I_C	20	Adc
Withstand Current — 10 s	—	30	Adc
Total Device Dissipation @ $T_C = 25^\circ\text{C}$ Derate above 25°C	P_D	290 1.66	Watts $\text{W}/^\circ\text{C}$
Storage Temperature Range	T_{stg}	-65 to +150	$^\circ\text{C}$

THERMAL CHARACTERISTICS

Characteristic	Symbol	Max	Unit
Thermal Resistance, Junction to Case	$R_{\theta JC}$	0.6	$^\circ\text{C}/\text{W}$

ELECTRICAL CHARACTERISTICS ($T_C = 25^\circ\text{C}$ unless otherwise noted.)

Characteristic	Symbol	Min	Typ	Max	Unit
----------------	--------	-----	-----	-----	------

OFF CHARACTERISTICS

Collector-Emitter Breakdown Voltage ($I_C = 50 \text{ mAdc}$, $I_B = 0$)	$V_{(BR)CEO}$	20	—	—	Vdc
Collector-Emitter Breakdown Voltage ($I_C = 200 \text{ mAdc}$, $V_{BE} = 0$)	$V_{(BR)CES}$	45	—	—	Vdc
Collector-Base Breakdown Voltage ($I_C = 200 \text{ mAdc}$, $I_E = 0$)	$V_{(BR)CBO}$	45	—	—	Vdc
Emitter-Base Breakdown Voltage ($I_E = 10 \text{ mAdc}$, $I_C = 0$)	$V_{(BR)EBO}$	3.0	—	—	Vdc
Collector Cutoff Current ($V_{CE} = 16 \text{ Vdc}$, $V_{BE} = 0$, $T_C = 25^\circ\text{C}$)	I_{CES}	—	—	10	mAdc

(continued)

The RF Line NPN Silicon Power Transistor 100W(PEP), 30MHz, 28V

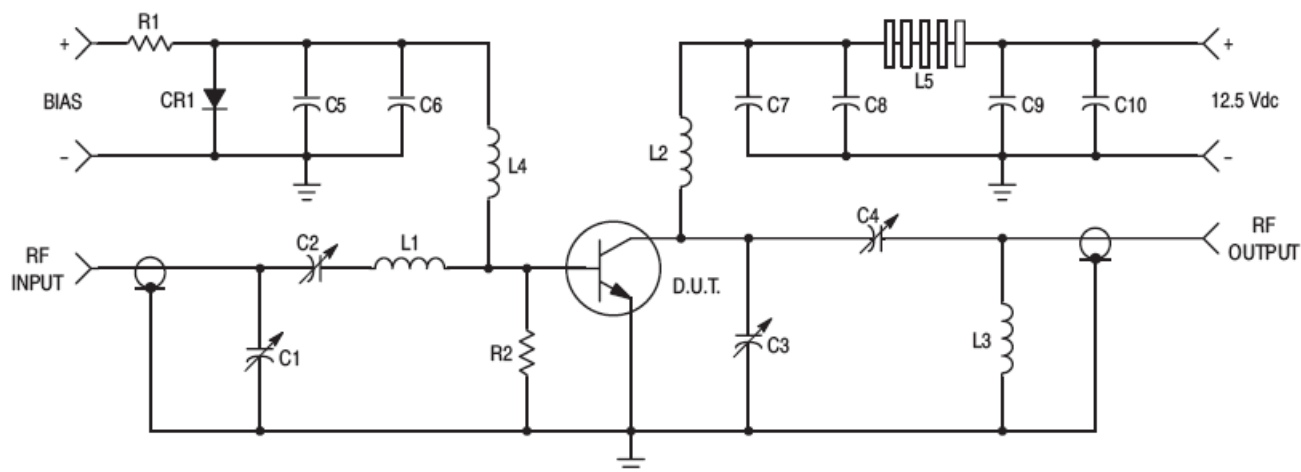
M/A-COM Products
Released - Rev. 07.07

ELECTRICAL CHARACTERISTICS – continued ($T_C = 25^\circ\text{C}$ unless otherwise noted.)

Characteristic	Symbol	Min	Typ	Max	Unit
ON CHARACTERISTICS					
DC Current Gain ($I_C = 5.0 \text{ Adc}$, $V_{CE} = 5.0 \text{ Vdc}$)	h_{FE}	10	70	—	—
DYNAMIC CHARACTERISTICS					
Output Capacitance ($V_{CB} = 12.5 \text{ Vdc}$, $I_E = 0$, $f = 1.0 \text{ MHz}$)	C_{ob}	—	550	800	pF
FUNCTIONAL TESTS					
Common-Emitter Amplifier Power Gain ($V_{CC} = 12.5 \text{ Vdc}$, $P_{out} = 100 \text{ W}$, $I_{C(max)} = 10 \text{ Adc}$, $I_{CQ} = 150 \text{ mA}$, $f = 30, 30.001 \text{ MHz}$)	G_{PE}	10	12	—	dB
Collector Efficiency ($V_{CC} = 12.5 \text{ Vdc}$, $P_{out} = 100 \text{ W}$, $I_{C(max)} = 10 \text{ Adc}$, $I_{CQ} = 150 \text{ mA}$, $f = 30, 30.001 \text{ MHz}$)	η	40	—	—	%
Intermodulation Distortion (1) ($V_{CE} = 12.5 \text{ Vdc}$, $P_{out} = 100 \text{ W}$, $I_C = 10 \text{ Adc}$, $I_{CQ} = 150 \text{ mA}$, $f = 30, 30.001 \text{ MHz}$)	IMD	—	-33	-30	dB

NOTE:

- To proposed EIA method of measurement. Reference peak envelope power.



C1, C2, C4 — 170–780 pF, ARCO 469
C3 — 80–480 pF, ARCO 466
C5, C7, C10 — ERIE 0.1 μF , 100 V
C6 — MALLORY 500 μF @ 15 V Electrolytic
C9 — 100 μF , 15 V Electrolytic
C8 — 1000 pF, 350 V UNDERWOOD
R1 — 10 Ω , 25 Watt Wirewound

R2 — 10 Ω , 1.0 Watt Carbon
CR1 — 1N4997
L1 — 3 Turns, #16 Wire, 5/16" I.D., 5/16" Long
L2 — 12 Turns, #16 Enameled Wire Closewound, 1/4" I.D.
L3 — 1–3/4 Turns, 1/8" Tubing, 3/8" I.D., 3/8" Long
L4 — 10 μH Molded Choke
L5 — 10 Ferrite Beads — FERROXCUBE #56–590–65/3B

Figure 1. 30 MHz Test Circuit Schematic

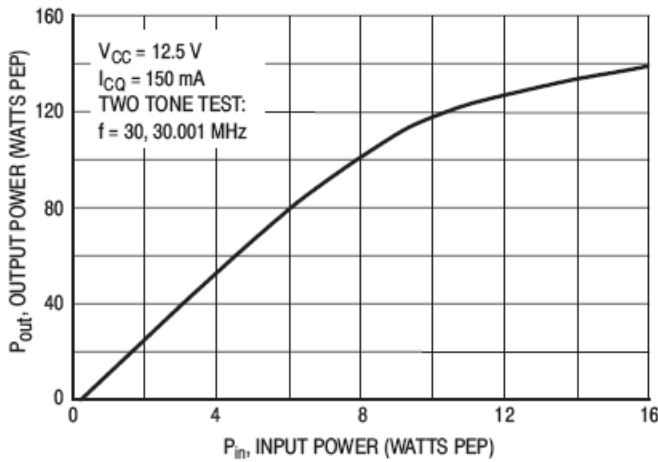


Figure 2. Output Power versus Input Power

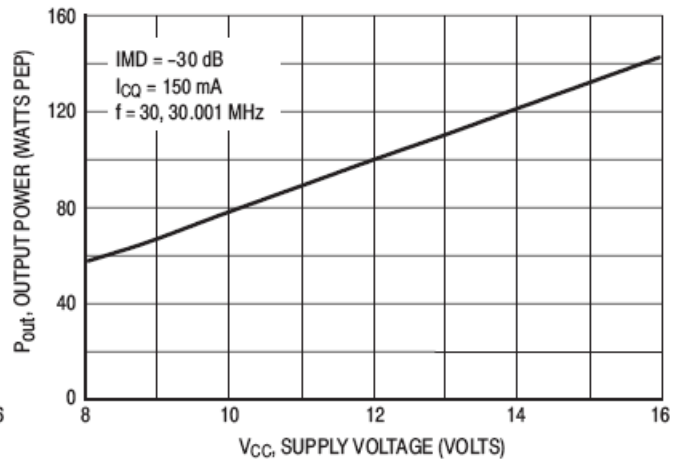


Figure 3. Output Power versus Supply Voltage

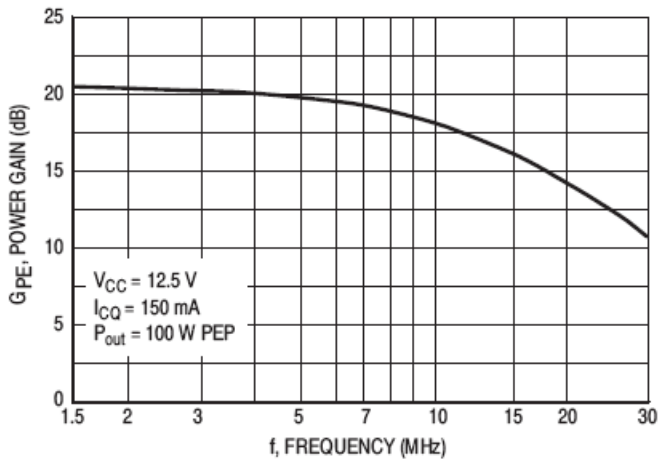


Figure 4. Power Gain versus Frequency

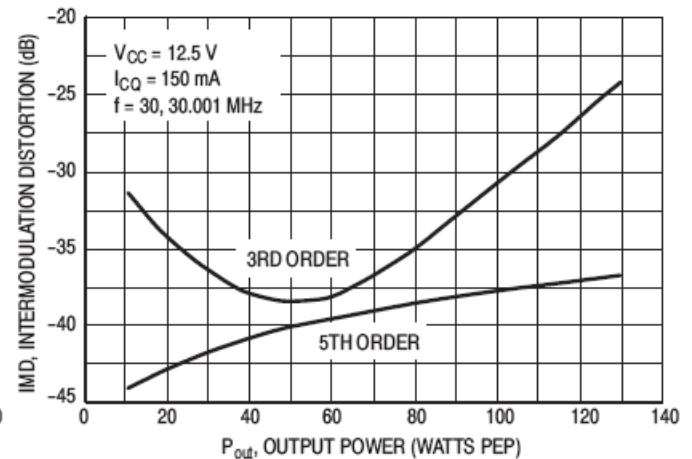


Figure 5. Intermodulation Distortion versus Output Power

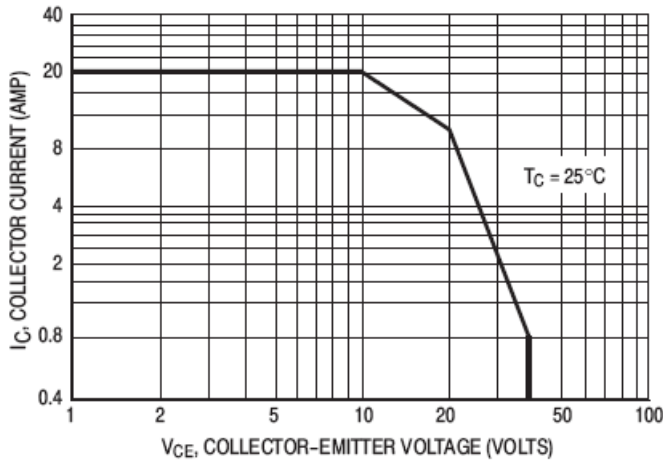


Figure 6. DC Safe Operating Area

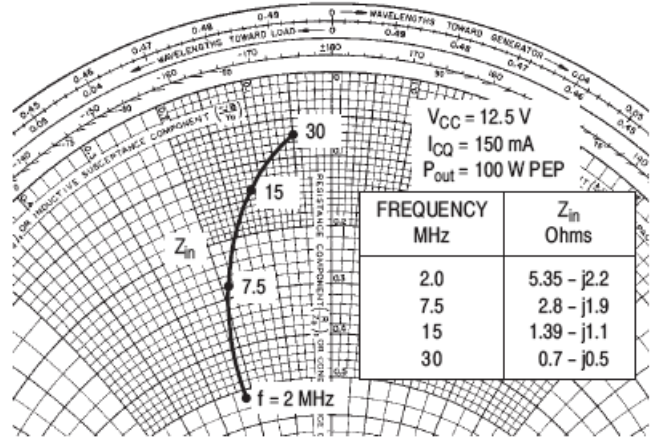


Figure 7. Series Equivalent Impedance

The RF Line NPN Silicon Power Transistor 100W(PEP), 30MHz, 28V

M/A-COM Products
Released - Rev. 07.07

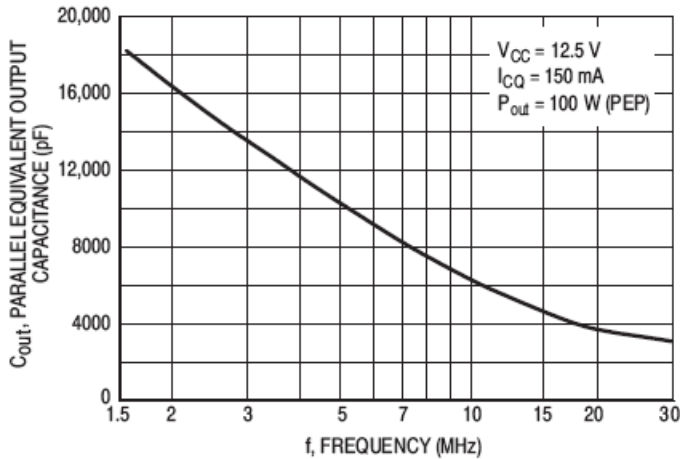


Figure 8. Output Capacitance versus Frequency

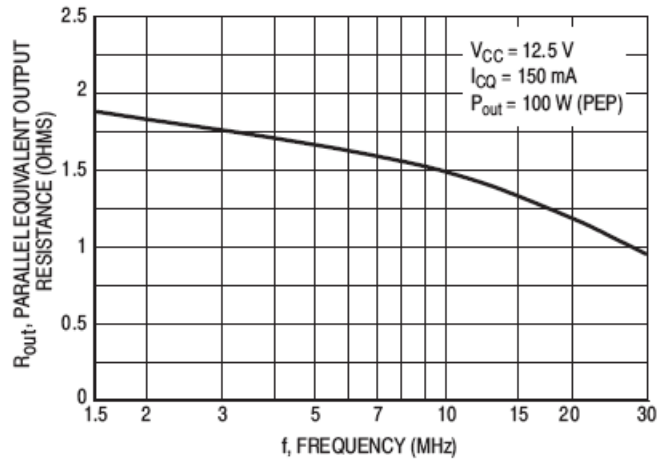
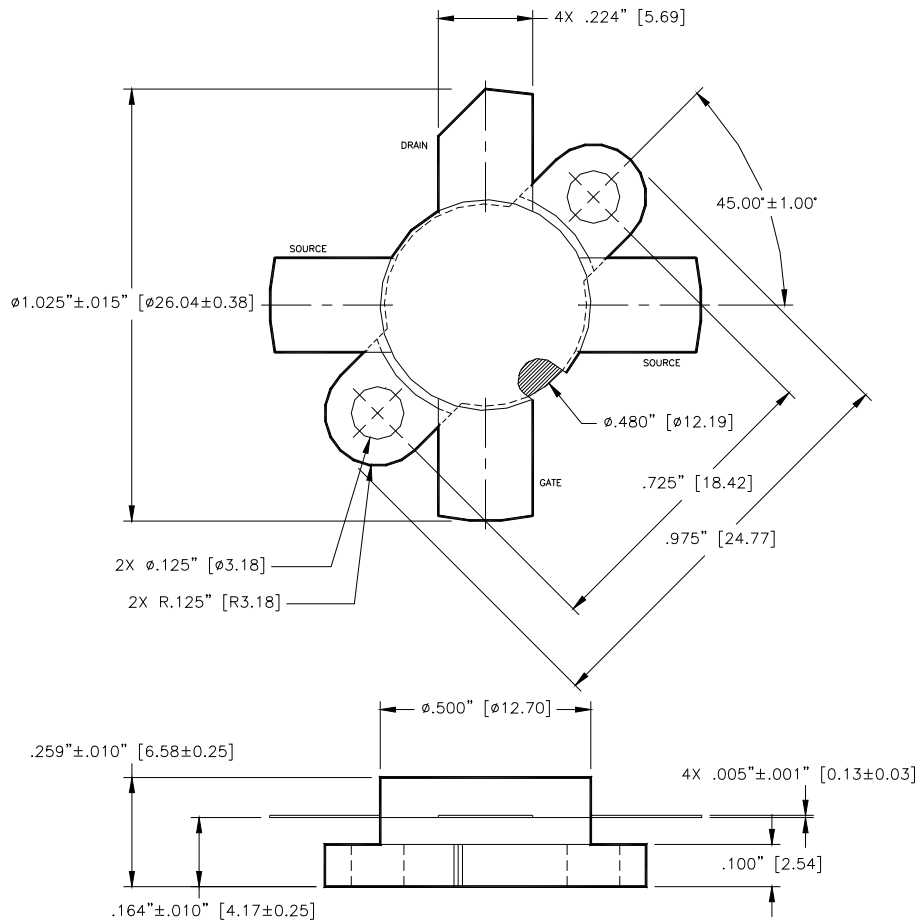


Figure 9. Output Resistance versus Frequency



Unless otherwise noted, tolerances are inches ± 0.005 [millimeters ± 0.13 mm]

ADVANCED: Data Sheets contain information regarding a product M/A-COM Technology Solutions is considering for development. Performance is based on target specifications, simulated results, and/or prototype measurements. Commitment to develop is not guaranteed.
PRELIMINARY: Data Sheets contain information regarding a product M/A-COM Technology Solutions has under development. Performance is based on engineering tests. Specifications are typical. Mechanical outline has been fixed. Engineering samples and/or test data may be available. Commitment to produce in volume is not guaranteed.

- **North America** Tel: 800.366.2266 / Fax: 978.366.2266
- **Europe** Tel: 44.1908.574.200 / Fax: 44.1908.574.300
- **Asia/Pacific** Tel: 81.44.844.8296 / Fax: 81.44.844.8298

Visit www.macomtech.com for additional data sheets and product information.

M/A-COM Technology Solutions Inc. and its affiliates reserve the right to make changes to the product(s) or information contained herein without notice.