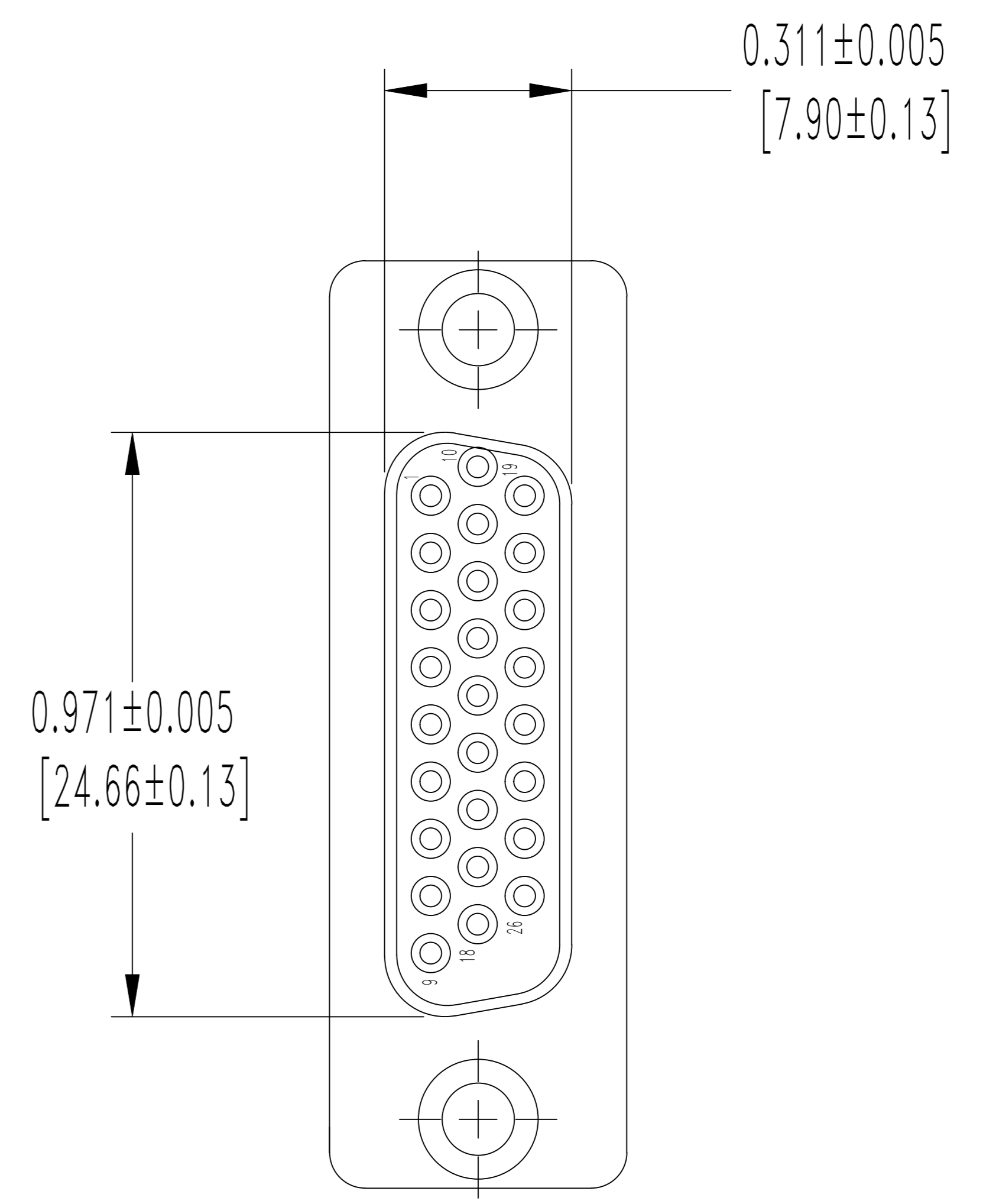
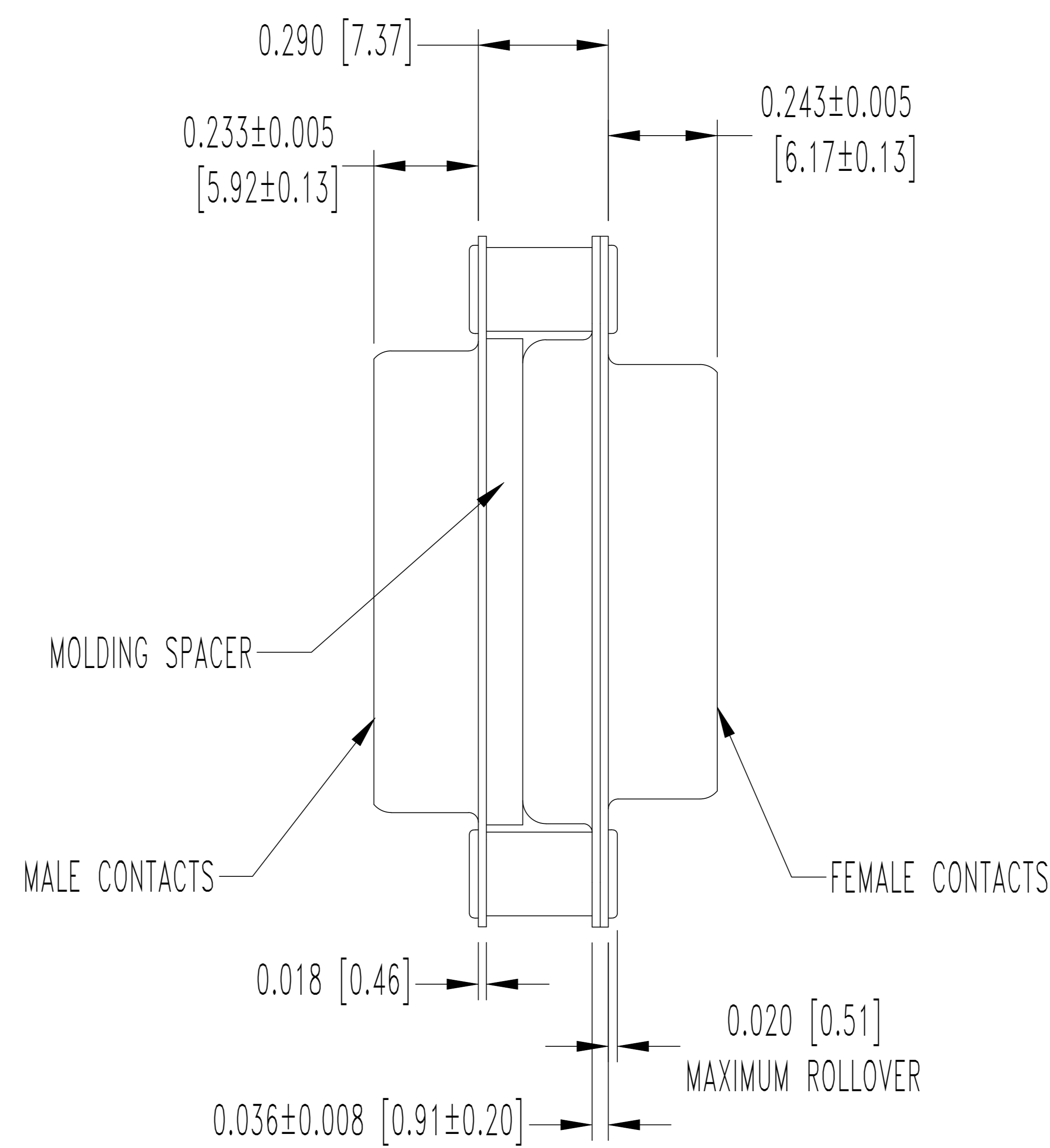
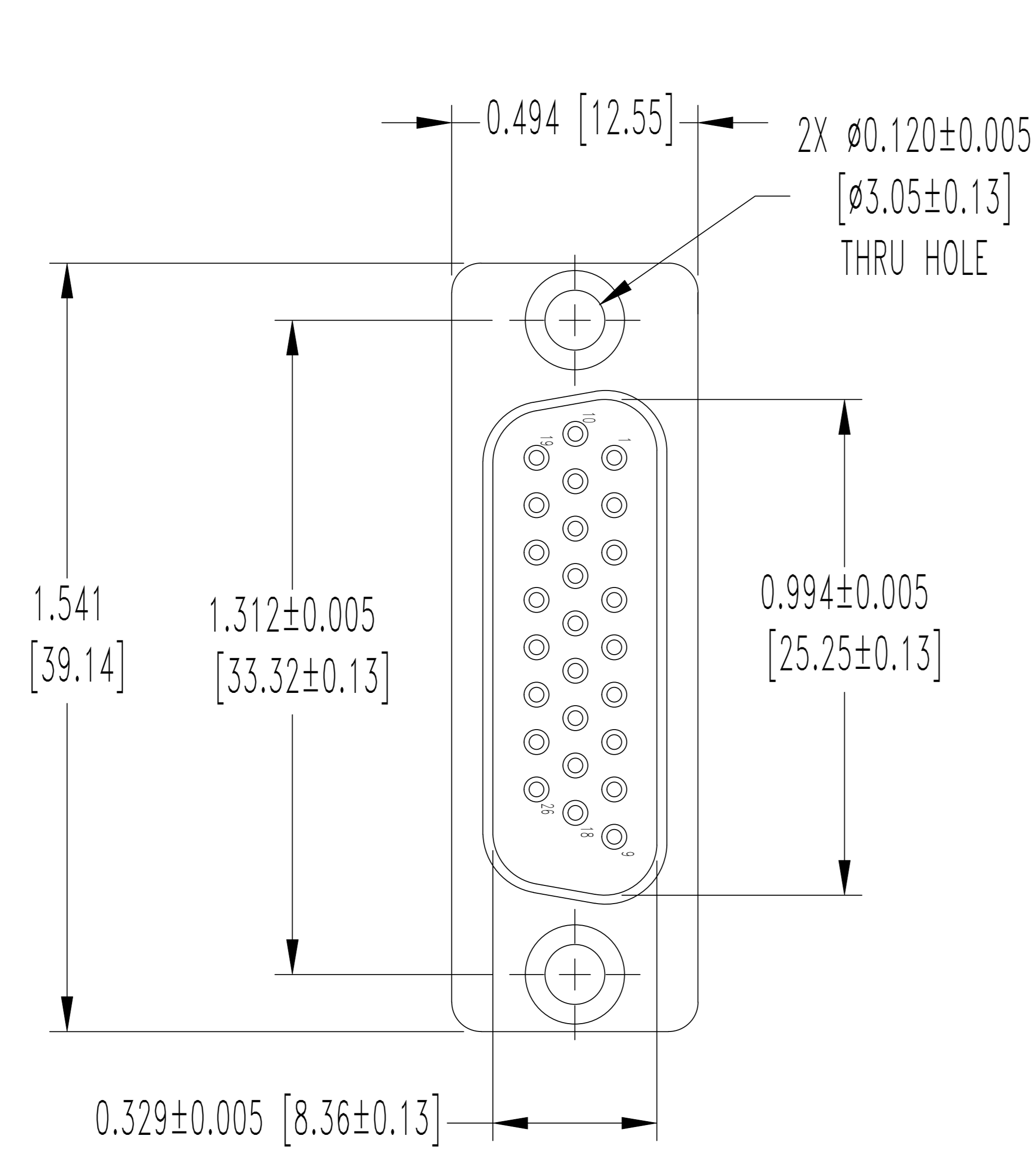


THIS DRAWING CONTAINS INFORMATION PROPRIETARY TO POSITRONIC AND ITS SUBSIDIARIES. POSITRONIC BELIEVES THE DATA ON THIS DRAWING TO BE RELIABLE, SINCE THE TECHNICAL INFORMATION IS GIVEN FREE OF CHARGE, THE USER EMPLOYS SUCH INFORMATION AT HIS OWN DISCRETION AND RISK. POSITRONIC ASSUMES NO RESPONSIBILITY FOR RESULTS OBTAINED OR DAMAGES INCURRED FROM USE OF SUCH INFORMATION IN WHOLE OR IN PART.

DATE	REV	REVISION RECORD	APP	DR	CK
4-25-05	NC	ECO 23999		ME	



NOTES:

- MATERIALS AND FINISHES:
 INSULATOR: GLASS-FILLED POLYESTER PER MIL-M-24519, UL 94V-0, ASTM E-595, NASA-RP-1124.
 CONTACTS: PRECISION MACHINED HIGH TENSILE COPPER ALLOY WITH BRASS SHROUDS, 0.000050 [1.25μ] GOLD OVER COPPER PLATE.
 SHELLS: BRASS WITH 0.000050 [1.25μ] GOLD OVER COPPER PLATE.
 MOLDING SPACER: GLASS FILLED POLYESTER, COLOR BLUE.
- ELECTRICAL CHARACTERISTICS:
 CONTACT CURRENT RATING: 5 AMPERES, NOMINAL.
 INITIAL CONTACT RESISTANCE: 0.008 OHMS, MAXIMUM.
 INSULATOR RESISTANCE: 5 G OHMS.
- WORKING TEMPERATURE: -55° TO +125°C.
- DIMENSIONS ARE IN INCHES [MILLIMETERS].

	POSITRONIC INDUSTRIES INC. SPRINGFIELD, MISSOURI 65801		SCALE	DRAWN BY
	SADD SERIES		N.T.S.	M. ENEA
DECIMAL TOL. ± 0.015 [0.38]	TITLE			
SADD26M/F				
ANGULAR TOL. ± 5°	DATE	DRAWING NUMBER	REV.	
	4-25-05	SK6186	NC	