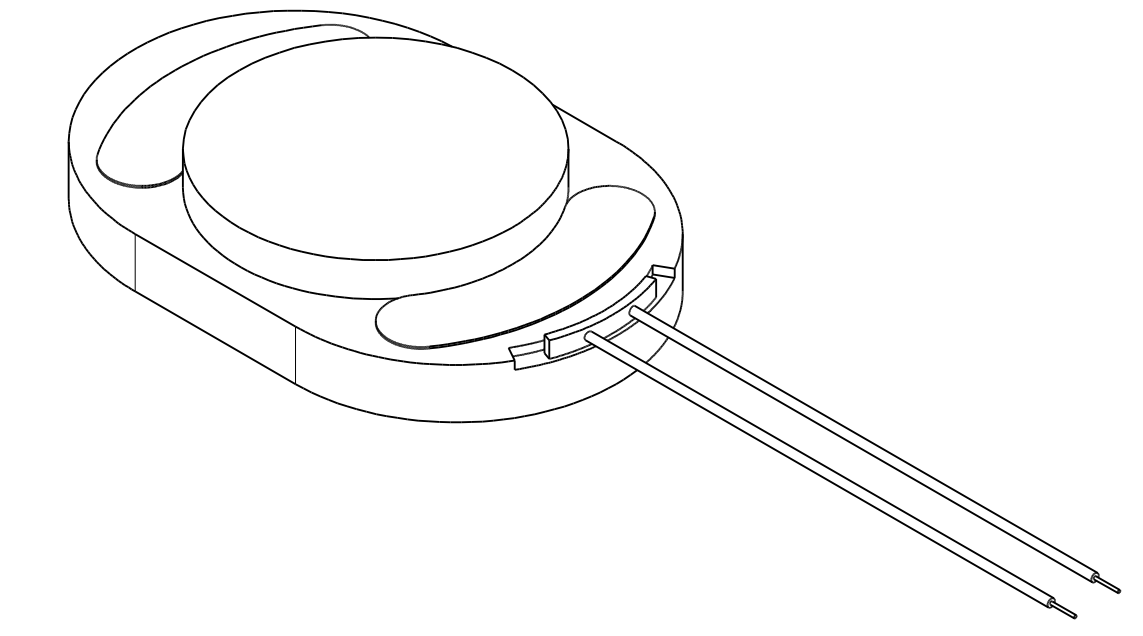
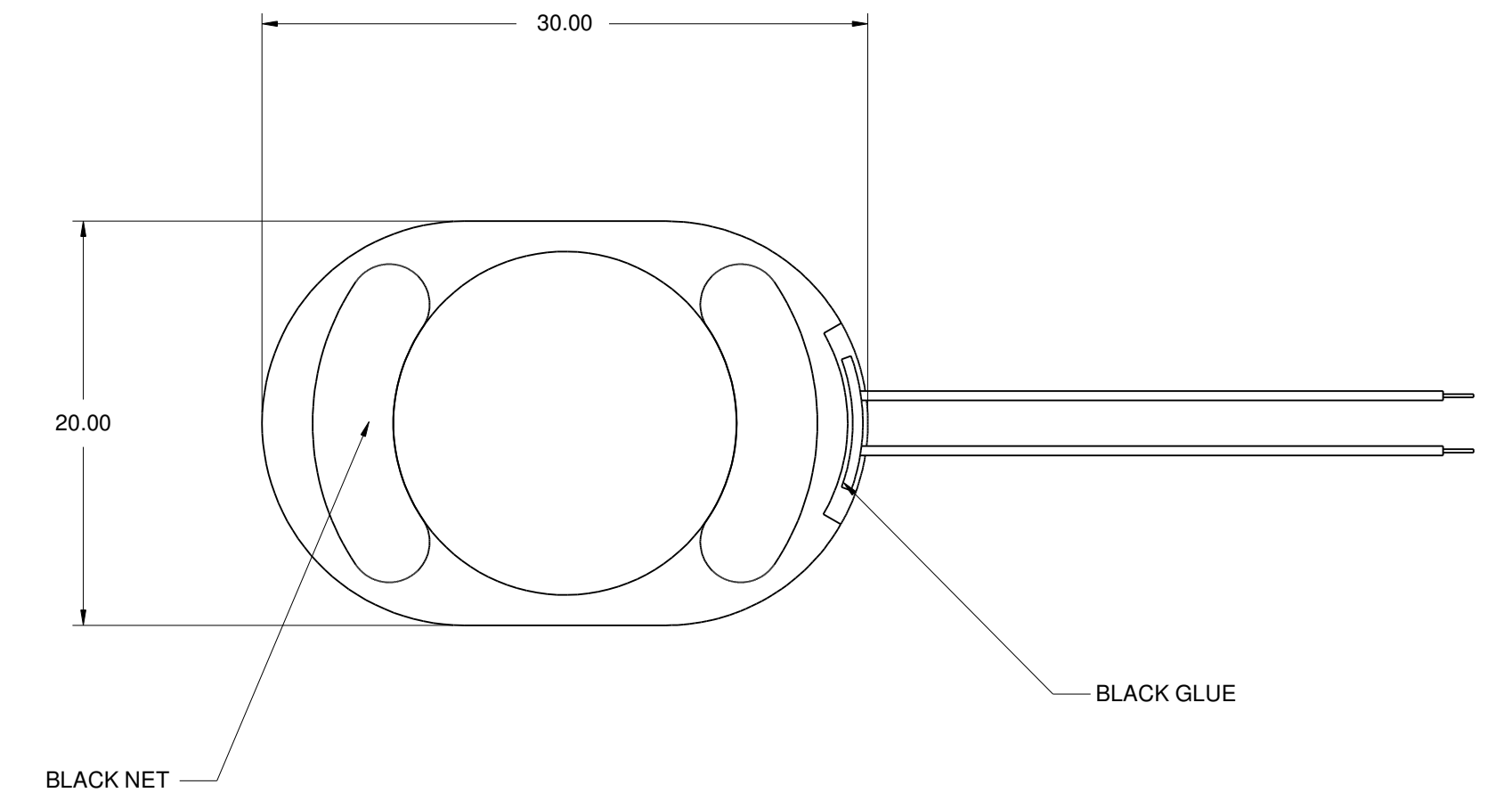
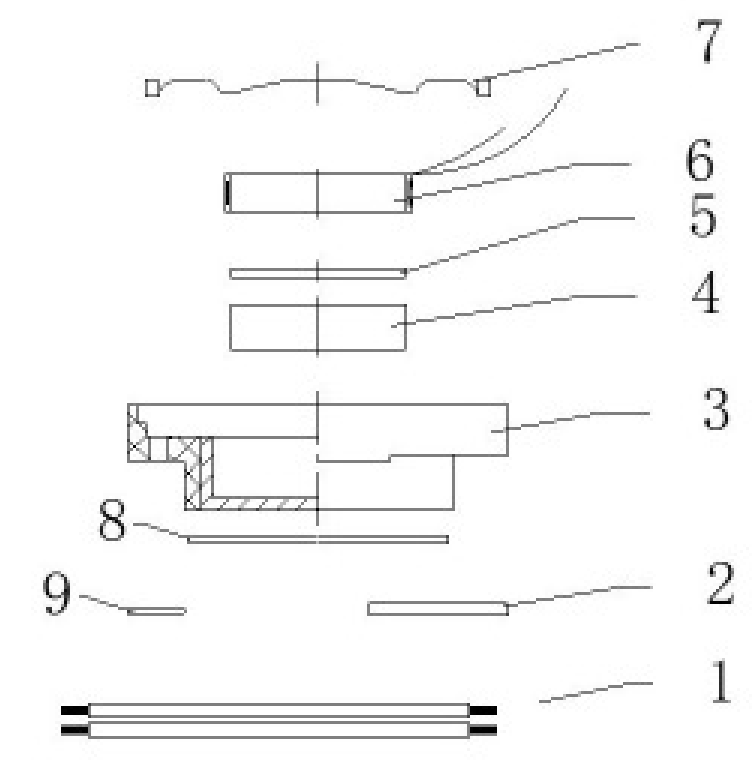
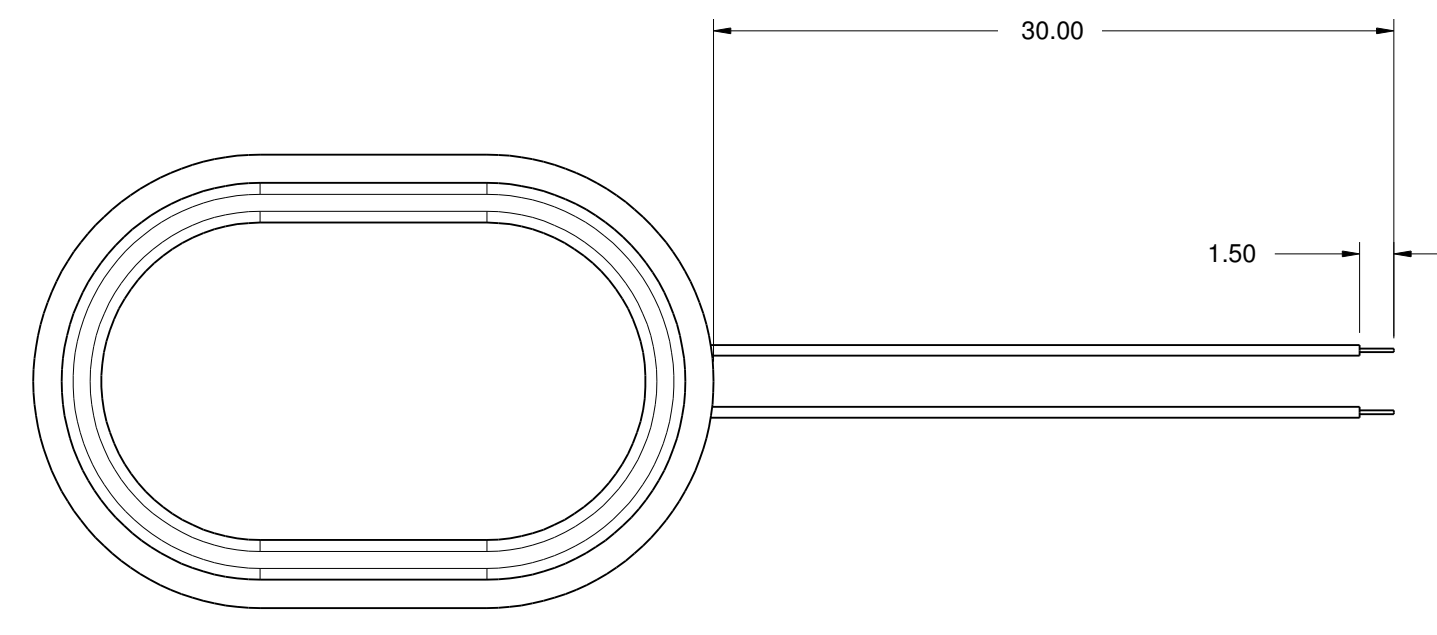
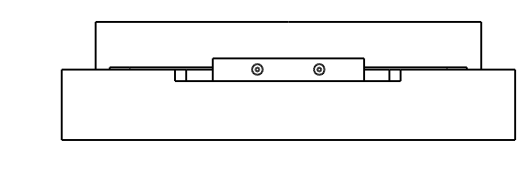
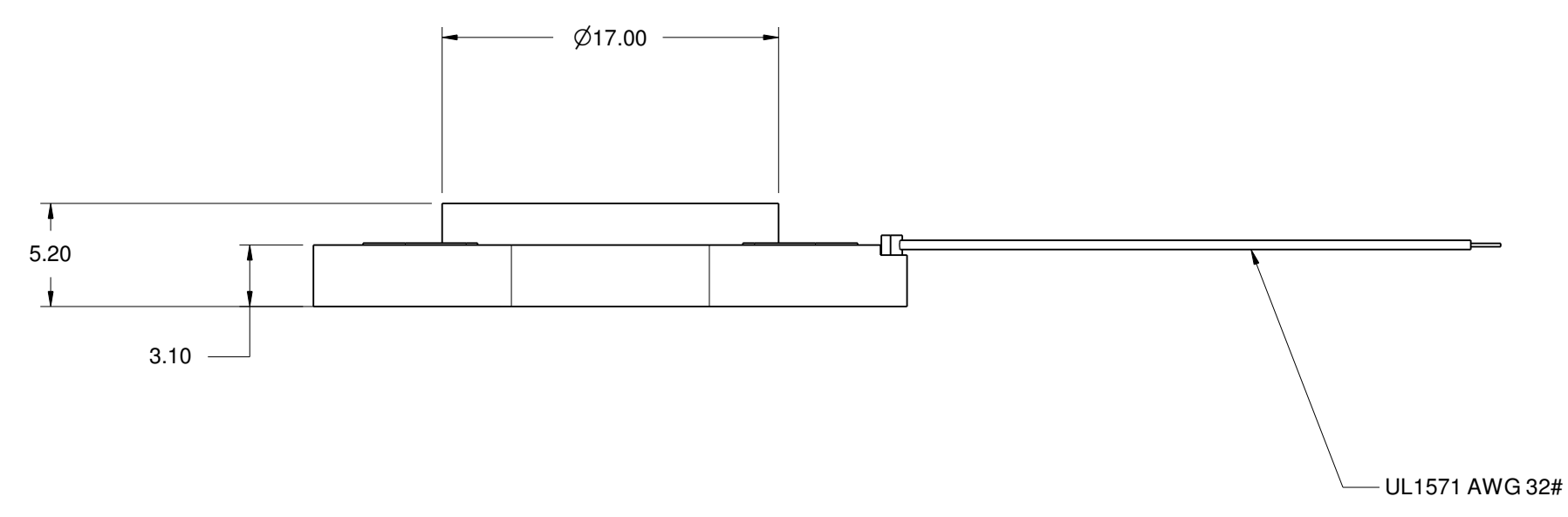


REVISIONS				
ZONE	REV	DESCRIPTION	DATE	APPROVED



No.	Part Name	Material	Quantity
1	Wire (30mm)	UL 1571/AWG32#	2
2	PCB	FR-4	1
3	Frame	PBT	1
4	Magnet	Nd Fe B-N40	1
5	Plate 1	SPCC	1
6	Voice Coil	KSV-7.4Ω	1
7	Diaphragm	PU + Paper	1
8	Gasket	16 x 0.1	1
9	Screen	Black Net	1



ALL TOLERANCES +/- .5MM UNLESS NOTED

SIZE	FSCM NO.	DWG NO.	REV
D		SP-3020	
SCALE	1:1	SHEET	1 OF 1