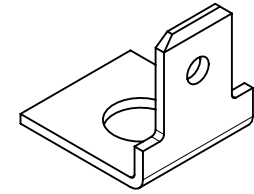
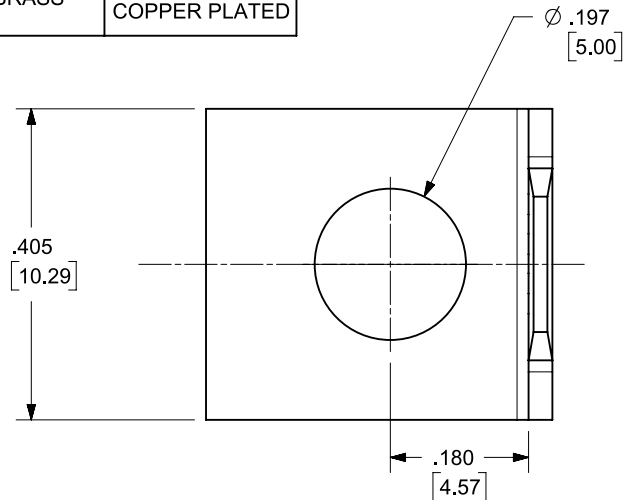
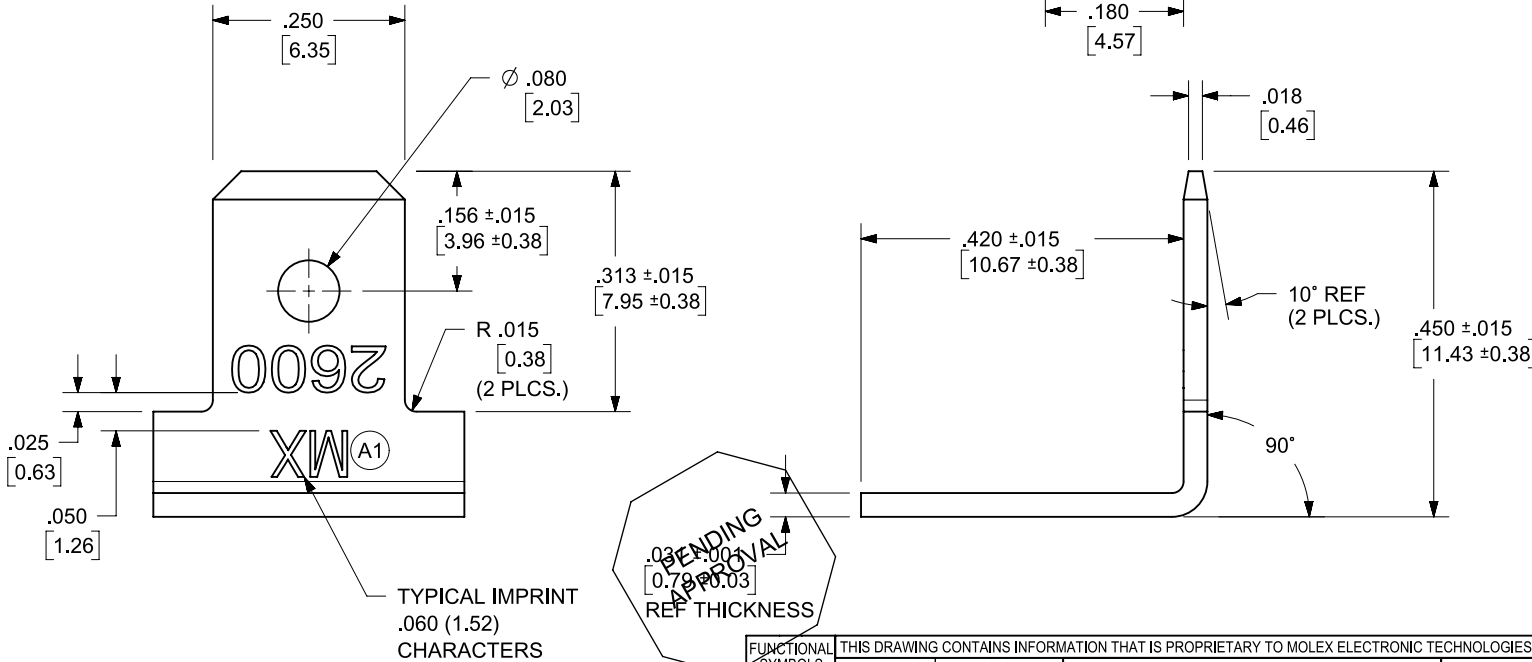


6	5	4	3	2	1
MATERIAL NO.	ENGINEERING NO.	DESCRIPTION	MATERIAL	FINISH	
380020455	2615	TERMINAL, .250 FT, SLVR,	BRASS	TIN OVER COPPER PLATED	

NOTES:  
 1. ALL DIM'S SHOWN ARE BEFORE PLATING.  
 2. PART IS RoHS COMPLIANT.



AUXILLARY VIEW  
SCALE 2:1



TYPICAL IMPRINT  
.060 (1.52)  
CHARACTERS

PENDING APPROVAL  
03-01-2021  
REF THICKNESS  
0.03 (0.76)

FUNCTIONAL SYMBOLS $\overline{F_A} = 0$ $\overline{F_B} = 0$ $\overline{F_P} = 0$ DIVISIONAL SYMBOLS	THIS DRAWING CONTAINS INFORMATION THAT IS PROPRIETARY TO MOLEX ELECTRONIC TECHNOLOGIES, LLC AND SHOULD NOT BE USED WITHOUT WRITTEN PERMISSION		CURRENT REV DESC: "MX" WAS "BEAU"	
	DIMENSION UNITS	SCALE	EC NO: 650468	
	in/[mm]	4:1	DRWN: RMV02	2020/11/13
	GENERAL TOLERANCES (UNLESS SPECIFIED)		CHK'D: DMYRICK	2020/12/04
	MM	INCH	APPR:	
	4 PLACES ±	±	INITIAL REVISION:	
	3 PLACES ±	± 0.005	DRWN: DRWN BY	XXXX/XX/XX
	2 PLACES ±	± 0.13 ± 0.01	APPR: APPR BY	XXXX/XX/XX
	1 PLACE ±	± 0.3 ±	THIRD ANGLE PROJECTION	
	0 PLACES ±	±	DRAWING	SERIES
	ANGULAR TOL	± 2.0°	A-SIZE	38002
DRAFT WHERE APPLICABLE MUST REMAIN WITHIN DIMENSIONS		MATERIAL NUMBER		SHEET NUMBER
		SEE TABLE		1 OF 1



TERMINAL, .250 FT, SLVR,  
CAT# 2615

PRODUCT CUSTOMER DRAWING

DOCUMENT NUMBER	DOC TYPE	DOC PART	REVISION
SD-38002-063	PSD	001	A1

DOCUMENT STATUS	RQ	RELEASE DATE