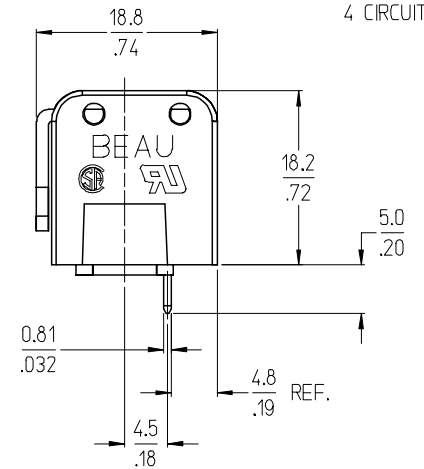
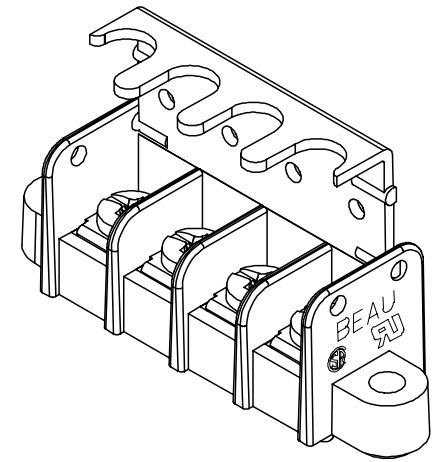
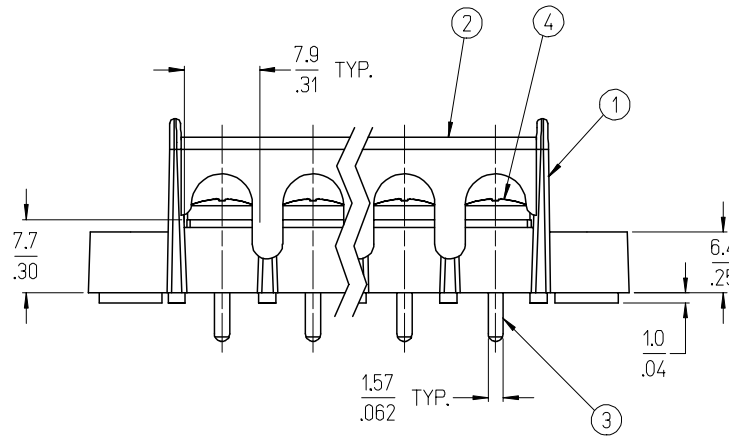
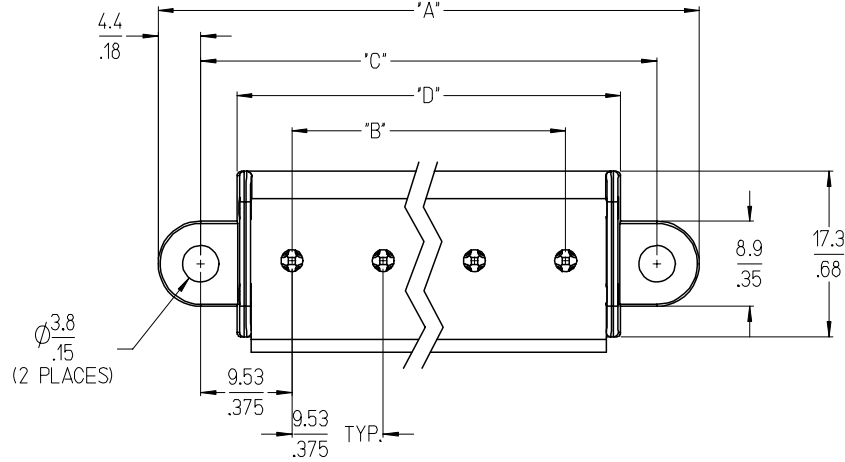


REF. -50 OPT. SCREW  
(WHERE APPLICABLE)



NOTES:

1. MATERIAL: SEE TABLE
2. FINISHES: SEE TABLE
3. 'XX' REFERS TO THE QUANTITY OF CIRCUITS.
4. STANDARD SCREW SHOWN IN ASSEMBLY VIEWS.  
FOR -50 OPTION, ITEM 5 IS USED.
5. ASSEMBLY IS ROHS COMPLIANT.

ITEM	QTY.	DESCRIPTION	MATERIAL	FINISH
5	XX	SCREW&WASHER, #6-32X.250, PAN, PH/SL (-50 OPT)	STEEL	ZN, CLEAR CHROMATE
4	XX	SCREW, #6-32X.250, BHD, PH/SL (STANDARD)	STEEL	ZN, CLEAR CHROMATE
3	XX	TERMINAL, PC	BRASS	TIN PLATE
2	1	COVER, HINGED	PBT	BLACK
1	1	INSULATOR, SR, CS, WITH PADS	PBT	BLACK

INITIAL RELEASE  
EC NO: ETC2007-0225  
DRAWN: CLYORK 2006/12/19  
CHKD: JMACNEIL 2006/12/28  
APPR: JMACNEIL 2006/12/28

QUALITY SYMBOLS  
 =0  
 <=0

GENERAL TOLERANCES (UNLESS SPECIFIED)	
mm	INCH
4 PLACES ± ---	± ---
3 PLACES ± ---	± .005
2 PLACES ± 0.13	± .01
1 PLACE ± 0.3	± ---
ANGULAR ± 2 °	

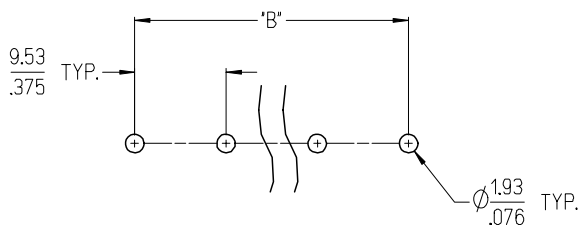
DRAFT WHERE APPLICABLE  
MUST REMAIN WITHIN DIMENSIONS

DIMENSION STYLE	
MM/IN	DATE
DRAWN BY	C. YORK
CHECKED BY	J. MACNEIL
APPROVED BY	J. MACNEIL
MATERIAL NO.	SEE SHT. 2

SCALE	DESIGN UNITS	THIRD ANGLE PROJECTION
2:1	INCH	
TITLE 9.53MM [.375] SR BTS ASSY, PC, CS WITH PADS & HINGED COVER		
MOLEX MOLEX INCORPORATED		
DOCUMENT NO.	SD-38759-006	SHEET NO. 1 OF 2

10 9 8 7 6 5 4 3 2 1

NO. OF CIRCUITS	DIM. "A"		DIM. "B"		DIM. "C"		DIM. "D"		ASSEMBLY MATERIAL NO. (STANDARD)	ASSEMBLY MATERIAL NO. (-50 OPT)
	mm	in	mm	in	mm	in	mm	in		
02	37.5	1.48	9.53	.375	28.58	1.125	20.9	.82		387590373
03	47.0	1.85	19.05	.750	38.10	1.500	30.4	1.20		387590353
04	56.5	2.23	28.58	1.125	47.63	1.875	39.9	1.57		
05	66.0	2.60	38.10	1.500	57.15	2.250	49.5	1.95		
06	75.6	2.98	47.63	1.875	66.68	2.625	59.0	2.32		
07	85.1	3.35	57.15	2.250	76.20	3.000	68.5	2.70		
08	94.6	3.73	66.68	2.625	85.73	3.375	78.0	3.07		387590348
09	104.1	4.10	76.20	3.000	95.25	3.750	87.6	3.45		
10	113.7	4.48	85.73	3.375	104.78	4.125	97.1	3.82		
11	123.2	4.85	95.25	3.750	114.30	4.500	106.6	4.20		
12	132.7	5.23	104.78	4.125	123.83	4.875	116.1	4.57		



RECOMMENDED PCB LAYOUT

SEE SHEET 1 EC NO: ETC2007-0225 DRWN: C. YORK 2006/12/19 CHKD: J. MACNEIL 2006/12/28 APPR: J. MACNEIL 2006/12/28	QUALITY SYMBOLS ▽=0 ▽=0	GENERAL TOLERANCES (UNLESS SPECIFIED)		DIMENSION STYLE	SCALE	DESIGN UNITS	THIRD ANGLE PROJECTION		
				MM/IN	2:1	INCH			
		4 PLACES	± ---	± ---	DRAWN BY	DATE	TITLE 9.53MM [.375] SR BTS ASSY, PC, CS WITH PADS & HINGED COVER		
		3 PLACES	± ---	± .005	C. YORK	2006/12/04			
2 PLACES	± 0.13	± .01	CHECKED BY	DATE	MOLEX INCORPORATED				
1 PLACE	± 0.3	± ---	J. MACNEIL	2006/12/04					
ANGULAR ± 2 °		APPROVED BY		DATE	MATERIAL NO.	DOCUMENT NO.	SHEET NO.		
DRAFT WHERE APPLICABLE MUST REMAIN WITHIN DIMENSIONS		J. MACNEIL		2006/12/04	SEE CHART	SD-38759-006	2 OF 2		
		SIZE B		THIS DRAWING CONTAINS INFORMATION THAT IS PROPRIETARY TO MOLEX INCORPORATED AND SHOULD NOT BE USED WITHOUT WRITTEN PERMISSION					

9 8 7 6 5 4 3 2 1