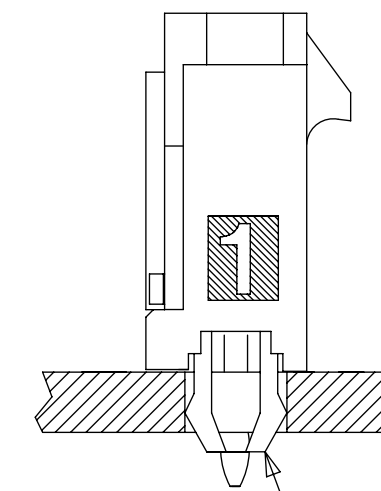
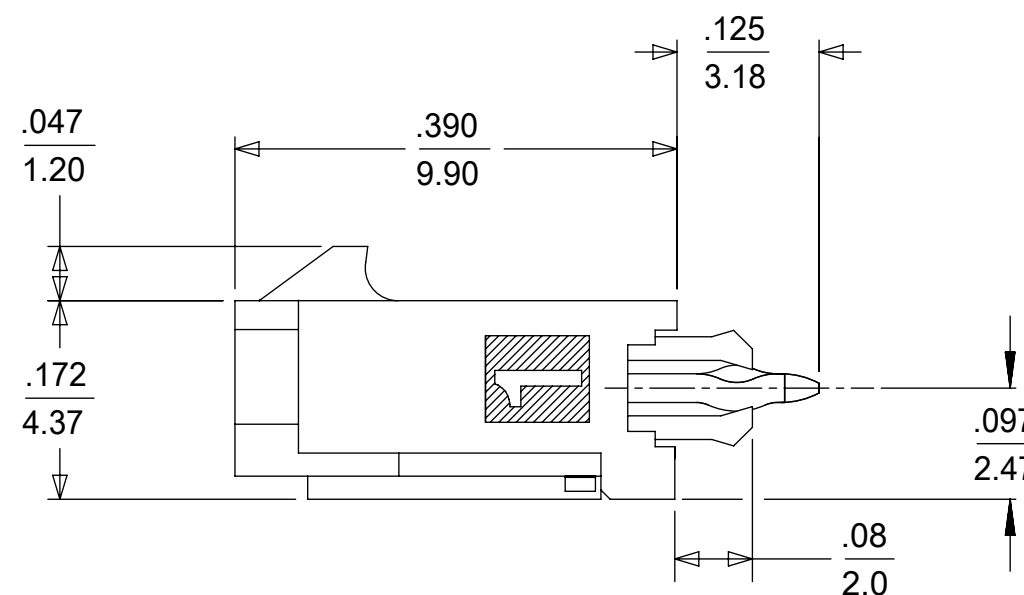
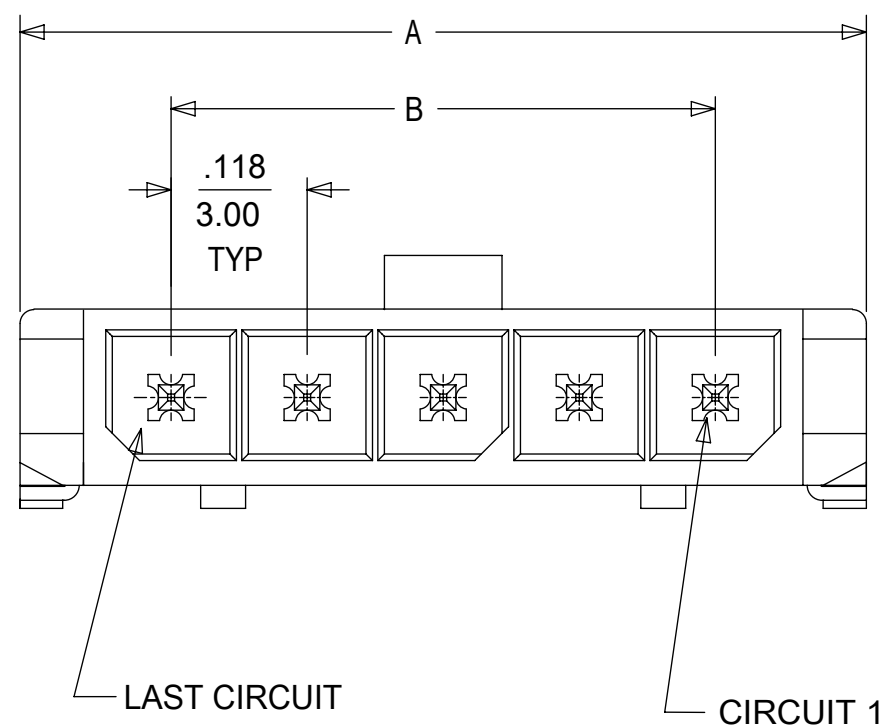


PCB LAYOUT: COMPONENT SIDE
RECOMMENDED PCB THICKNESS: .062/1.57



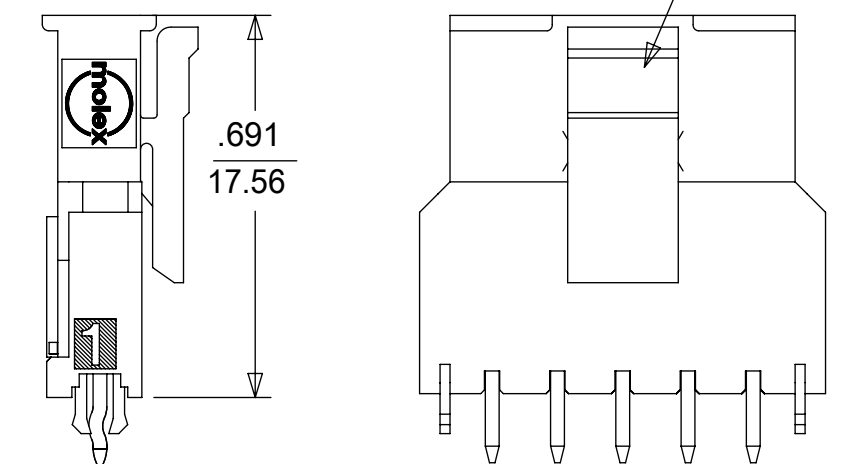
| CKTS | DIM A | DIM B | DIM C |
|------|----------------|----------------|----------------|
| 2 | .380 9.65 | .118 3.00 | .287 7.30 |
| 3 | .498 12.65 | .236 6.00 | .405 10.30 |
| 4 | .616 15.65 | .354 9.00 | .524 13.30 |
| 5 | .734 18.64 | .472 12.00 | .642 16.30 |
| 6 | .852 21.64 | .591 15.00 | .760 19.30 |
| 7 | .970 24.64 | .709 18.00 | .878 22.30 |
| 8 | 1.088 27.64 | .827 21.00 | .996 25.30 |
| 9 | 1.206 30.63 | .945 24.00 | 1.114 28.30 |
| 10 | 1.325 33.66 | 1.063 27.00 | 1.232 31.30 |
| 11 | 1.443 36.65 | 1.181 30.00 | 1.350 34.30 |
| 12 | 1.561 39.65 | 1.299 33.00 | 1.469 37.30 |

| CKTS | FINISH A | | FINISH B | | FINISH C | | FINISH D | |
|------|--------------|----------|--------------|----------|--------------|----------|--------------|----------|
| | MATERIAL NO: | VOID CKT | MATERIAL NO: | VOID CKT | MATERIAL NO: | VOID CKT | MATERIAL NO: | VOID CKT |
| 02 | 43650-0218 | | 43650-0219 | | 43650-0220 | | 43650-0263 | |
| 03 | 43650-0318 | | 43650-0319 | | 43650-0320 | | 43650-0363 | |
| 04 | 43650-0418 | | 43650-0419 | | 43650-0420 | | 43650-0463 | |
| 05 | 43650-0518 | | 43650-0519 | | 43650-0520 | | 43650-0563 | |
| 06 | 43650-0618 | | 43650-0619 | | 43650-0620 | | 43650-0663 | |
| 07 | 43650-0718 | | 43650-0719 | | 43650-0720 | | 43650-0763 | |
| 08 | 43650-0818 | | 43650-0819 | | 43650-0820 | | 43650-0863 | |
| 09 | 43650-0918 | | 43650-0919 | | 43650-0920 | | 43650-0963 | |
| 10 | 43650-1018 | | 43650-1019 | | 43650-1020 | | 43650-1063 | |
| 11 | 43650-1118 | | 43650-1119 | | 43650-1120 | | 43650-1163 | |
| 12 | 43650-1218 | | 43650-1219 | | 43650-1220 | | 43650-1263 | |
| 03 | 43650-0331 | 02 | 43650-0332 | 02 | | | | |
| 04 | 43650-1431 | 2,3 | 43650-0436 | 2,3 | | | | |
| 04 | 43650-2431 | 4 | | | | | | |
| 05 | 43650-1531 | 2,3,4 | | | | | | |
| 06 | 43650-0631 | 6 | 43650-0636 | 2,3,4,5 | | | | |

NOTES:

- HOUSING MATERIAL: LIQUID CRYSTAL POLYMER, GLASS FILLED, UL94V-0, COLOR: BLACK
TERMINAL MATERIAL: BRASS ALLOY
- FINISH:
A = .000060/(0.00152) MIN. REFLOWED MATTE TIN OVER
.000050/(0.00127) MIN. NICKEL PLATE
(FINISH IS BRIGHT IN APPEARANCE, THICKNESS AS APPLIED PRIOR TO REFLOW)
B = .000015/(0.00038) MIN. SELECT GOLD IN CONTACT AREA
.000100/(0.00254) MIN. SELECT MATTE TIN ON SOLDER TAILS BOTH OVER .000050/(0.00127) NICKEL OVERALL
C = .000030/(0.00076) MIN. SELECT GOLD IN CONTACT AREA
.000100/(0.00254) MIN. SELECT MATTE TIN ON SOLDER TAILS BOTH OVER .000050/(0.00127) NICKEL OVERALL
D = .000100/(0.00254) MIN. MATTE TIN OVER
.000050/(0.00127) MIN. NICKEL OVERALL
- PRODUCT SPECIFICATION: PS-43650
- TRAY PACKAGED : SEE MOLEX DRAWING PK-70873-0811
- MATES WITH MICRO FIT (3.0) RECEPTACLE SERIES 43645
- PARTS CONFORM TO CLASS 'B' REQUIREMENTS OF COSMETIC SPECIFICATION PS-45499-002.
- TEXT ON PART IS FOR REFERENCE ONLY. TEXT AND TEXT LOCATION MAY VARY DEPENDING ON PART NUMBER AND/OR TOOL.

RECEPTACLE #43645



MATED MICRO FIT CONNECTORS

| | | | | |
|--|---|------------------------|----------------------------------|----------|
| FUNCTIONAL SYMBOLS | THIS DRAWING CONTAINS INFORMATION THAT IS PROPRIETARY TO MOLEX ELECTRONIC TECHNOLOGIES, LLC AND SHOULD NOT BE USED WITHOUT WRITTEN PERMISSION | | CURRENT REV DESC: ADD 43650-0332 | |
| | DIMENSION UNITS | SCALE | | |
| $F_A = 0$ | INCH/MM | NTS | | |
| $F_C = 0$ | GENERAL TOLERANCES (UNLESS SPECIFIED) | | | |
| $F_P = 0$ | | MM | INCH | |
| DIVISIONAL SYMBOLS | 4 PLACES | ± | ± | |
| | 3 PLACES | ± | ± 0.01 | |
| | 2 PLACES | ± 0.25 | ± 0.014 | |
| | 1 PLACE | ± 0.36 | ± | |
| | 0 PLACES | ± | ± | |
| | ANGULAR TOL | ± 0.5 ° | | |
| DRAFT WHERE APPLICABLE MUST REMAIN WITHIN DIMENSIONS | | THIRD ANGLE PROJECTION | DRAWING | SERIES |
| | | | C-SIZE | 43650 |
| | | EC NO: 677247 | 2021/09/10 | |
| | | DRWN: MKIPPER | 2021/09/10 | |
| | | CHK'D: HENRYA1 | 2021/09/27 | |
| | | APPR: FSMITH | | |
| | | INITIAL REVISION: | | |
| | | DRWN: SAMIEC | 2000/07/07 | |
| | | APPR: FSMITH | 2016/08/23 | |
| DOCUMENT NUMBER | | DOC TYPE | DOC PART | REVISION |
| SD-43650-007 | | PSD | 001 | F5 |
| MATERIAL NUMBER | | CUSTOMER | SHEET NUMBER | |
| SEE TABLE | | GENERAL MARKET | 1 OF 1 | |