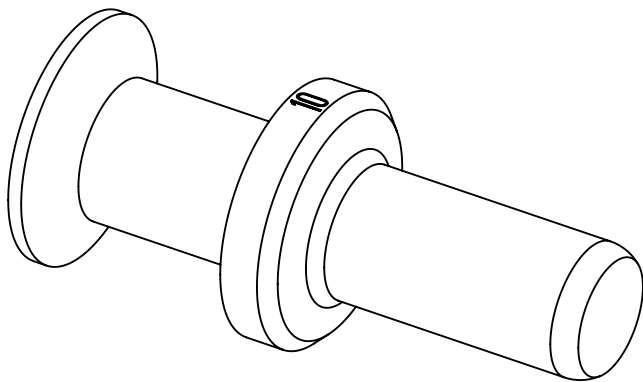
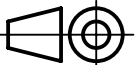



assembly notes see catalog
 crimp zone acc. to DIN EN 46235, indicator 10
 for stranded fine wire acc. to VDE 0295 class 5 / IEC 60228 class 5
 wire gauge: 25mm²
 stripping length: 19mm



 All Dimensions in mm Original Size DIN A4	Scale	Free size tol.			Ref.
	2:1				Sub.
 All rights reserved Department EL PD	Created by	Inspected by	Standardisation	Date	State
	RULLKOETTER	SCHNIEDER	TIEMANNA	2016-03-03	Final Release
HARTING Electric GmbH & Co. KG D-32339 Espelkamp	Title Han TC200 Stiftkontakt 25mm ²				Doc-Key / ECM-Nr. 100182348/UGD/005/C 500000101267
	Type	Number			Rev.
TB	09 11 000 6120			C	1/1