

Socket - EO-CF/PT/LED/YE - 1068075


Please be informed that the data shown in this PDF Document is generated from our Online Catalog. Please find the complete data in the user's documentation. Our General Terms of Use for Downloads are valid (<http://phoenixcontact.com/download>)



Socket, Pin connector pattern type CF, Push-in connection, Light indicator, yellow, for mounting on a DIN rail in the service interface or direct mounting, 250 V AC, 16 A, -60 °C, 105 °C, VDE 0620-1



Key Commercial Data

| | |
|------------------------|---|
| Packing unit | 5 pc |
| Minimum order quantity | 5 pc |
| GTIN |  4 055626 739731 |
| GTIN | 4055626739731 |

Technical data

Dimensions

| | |
|--------|-------|
| Width | 45 mm |
| Height | 75 mm |
| Depth | 60 mm |

Ambient conditions

| | |
|---|---|
| Ambient temperature (operation) | -60 °C ... 105 °C (max. short-term operating temperature 130°C) |
| Ambient temperature (storage/transport) | -25 °C ... 60 °C (for a short time, not exceeding 24 h, -60 °C to +70 °C) |

General

| | |
|--|------------------|
| Nominal voltage U_N | 250 V AC (50 Hz) |
| Nominal current I_N | 16 A |
| Status display | Yes |
| Contact material | CuZn37 |
| Color | yellow |
| Insulating material | PA |
| Flammability rating according to UL 94 | V0 |
| Standards/regulations | VDE 0620-1 |

Socket - EO-CF/PT/LED/YE - 1068075

Technical data

General

| | |
|------------|---------|
| Country ID | Germany |
|------------|---------|

Connection data

| | |
|---------------------------------------|---------------------|
| Conductor cross section solid min. | 0.2 mm ² |
| Conductor cross section solid max. | 4 mm ² |
| Conductor cross section flexible min. | 0.2 mm ² |
| Conductor cross section flexible max. | 2.5 mm ² |
| Conductor cross section AWG min. | 24 |
| Conductor cross section AWG max. | 12 |
| Connection method | Push-in connection |

Standards and Regulations

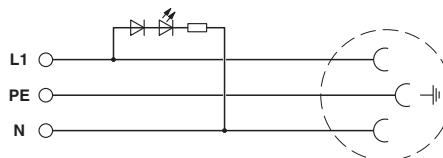
| | |
|--|------------|
| Standards/regulations | VDE 0620-1 |
| Flammability rating according to UL 94 | V0 |

Environmental Product Compliance

| | |
|------------|--|
| REACH SVHC | Hexahydromethylphthalic anhydride 25550-51-0 |
| | Lead 7439-92-1 |

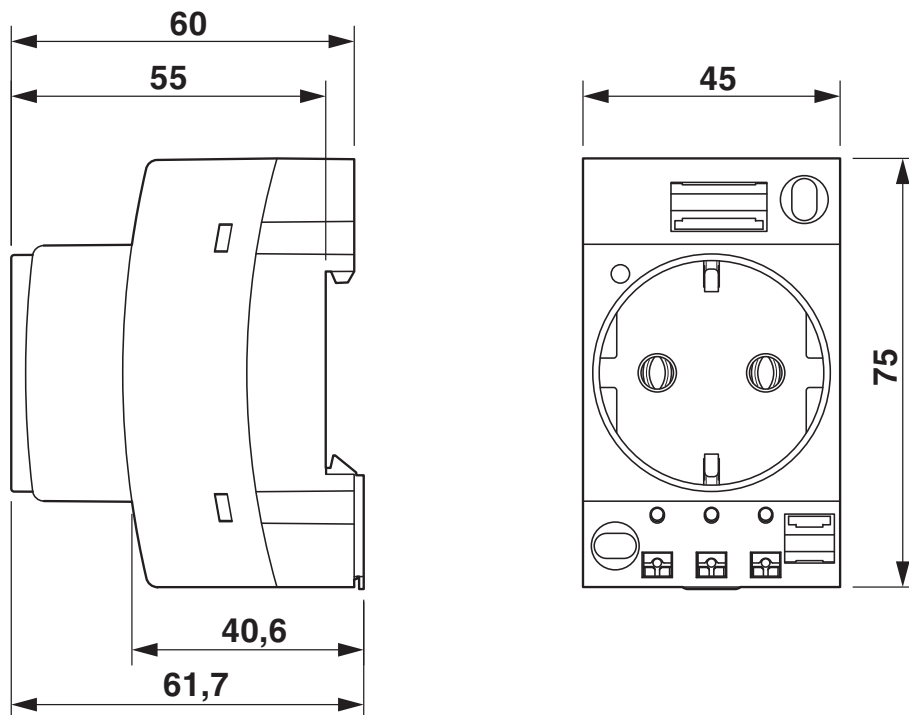
Drawings

Circuit diagram



Socket - EO-CF/PT/LED/YE - 1068075

Dimensional drawing



Classifications

eCl@ss

| | |
|---------------|----------|
| eCl@ss 10.0.1 | 27142305 |
| eCl@ss 11.0 | 27142305 |
| eCl@ss 5.1 | 27142300 |
| eCl@ss 6.0 | 27142300 |
| eCl@ss 7.0 | 27142305 |
| eCl@ss 9.0 | 27142305 |

ETIM

| | |
|----------|----------|
| ETIM 6.0 | EC001663 |
| ETIM 7.0 | EC001663 |

UNSPSC

| | |
|-------------|----------|
| UNSPSC 18.0 | 39121406 |
| UNSPSC 19.0 | 39121406 |
| UNSPSC 20.0 | 39121406 |
| UNSPSC 21.0 | 39121406 |

Approvals

Approvals

Socket - EO-CF/PT/LED/YE - 1068075

Approvals

Approvals

EAC-RoHS / EAC / VDE Gutachten mit Fertigungsüberwachung

Ex Approvals

Approval details

| | | |
|----------|--|--------------------------|
| EAC-RoHS | | RU D- DE.HB49.B.00025 |
|----------|--|--------------------------|

| | | |
|-----|--|--------------------------|
| EAC | | RU C- DE.BL08.B.00511 |
|-----|--|--------------------------|

| | | | |
|--|--|--|----------|
| VDE Gutachten mit Fertigungsüberwachung | | http://www2.vde.com/de/Institut/Online-Service/ VDE-gepruefteProdukte/Seiten/Online-Suche.aspx | 40047713 |
| Nominal voltage UN | | 250 V | |
| Nominal current IN | | 16 A | |

Accessories

Accessories

Adapter plate

Adapter plate - EO-SI-FRAME - 0804522



Adapter plate for installing the control cabinet sockets (type EO-...) in the mounting frames (type VS-SI-EB-EMV.../ SI-M1A.../ SI-M1B...). Includes fastening hardware for the control cabinet socket

Terminal marking

Socket - EO-CF/PT/LED/YE - 1068075

Accessories

Marker for terminal blocks - UC-TMF 8 - 0818137



Marker for terminal blocks, Sheet, white, unlabeled, can be labeled with: BLUEMARK ID COLOR, BLUEMARK ID, BLUEMARK CLED, PLOTMARK, CMS-P1-PLOTTER, mounting type: snap into flat marker groove, for terminal block width: 8.2 mm, lettering field size: 7.6 x 5.1 mm, Number of individual labels: 56

Marker for terminal blocks - UC-TMF 16 - 0819262



Marker for terminal blocks, Sheet, white, unlabeled, can be labeled with: BLUEMARK ID COLOR, BLUEMARK ID, BLUEMARK CLED, PLOTMARK, CMS-P1-PLOTTER, mounting type: snap into flat marker groove, for terminal block width: 16 mm, lettering field size: 15.45 x 5.1 mm, Number of individual labels: 32

Zack Marker strip, flat - ZBF 8:UNBEDRUCKT - 0808781



Zack Marker strip, flat, Strip, white, unlabeled, can be labeled with: PLOTMARK, CMS-P1-PLOTTER, mounting type: snap into flat marker groove, for terminal block width: 8 mm, lettering field size: 5.15 x 8.15 mm, Number of individual labels: 10

Zack Marker strip, flat - ZBF 16:UNPRINTED - 0827464



Zack Marker strip, flat, Strip, white, unlabeled, can be labeled with: PLOTMARK, CMS-P1-PLOTTER, mounting type: snap into flat marker groove, for terminal block width: 16 mm, lettering field size: 16.25 x 10.5 mm, Number of individual labels: 50