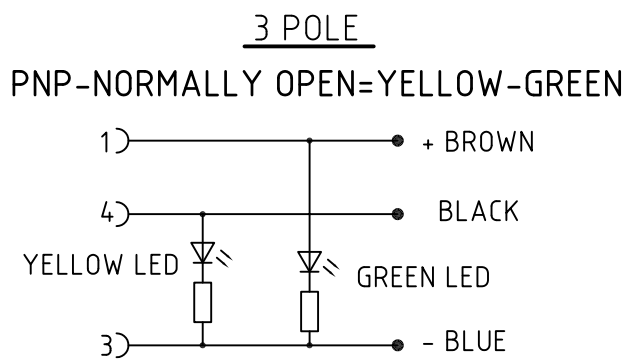
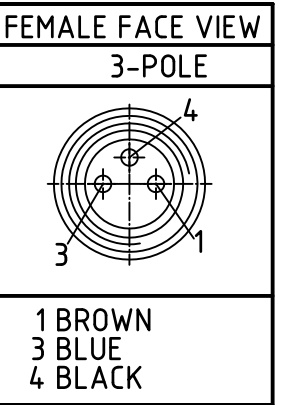
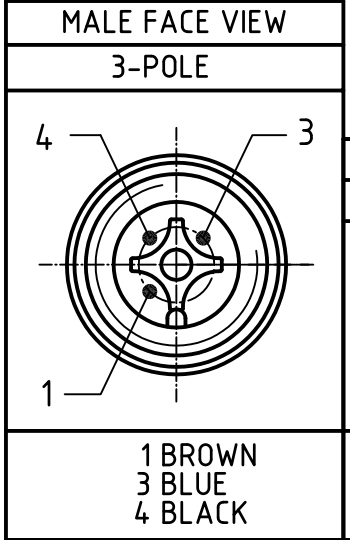


POLE	MATERIAL NUMBER	ENGINEERING NUMBER	FINISHED LENGHT IN/MM
3	1200870658	4830P7A10M010	3.28' +2.19" -0 [1.0M +55.6 -0]



CONNECTOR SPECIFICATION:

VOLTAGE RATING	10-30V/DC
AMPERAGE RATING	3 AMPS
PROTECTION	IP68
OPERATING TEMPERATURE	-20°C TO +105°C
UL CERTIFICATIONS	UL listed, File #E152210
CSA CERTIFICATIONS	CSA CERTIFIED, File LR6837

ITEM	COMPONENT	MATERIAL	FINISH
1	INSERT	POLYURETHANE (PUR)	BLACK
2	CONTACT SOCKET	COPPER ALLOY	GOLD OVER NICKEL
3	COUPLING NUT	BRASS	NICKEL PLATED
4	MALE/OVERMOLD	PVC	YELLOW
4	FEMALE/OVERMOLD	PVC	CLEAR
5	O-RING	VITON	
6	CABLE 0.25mm ² /24AWG, (COPPER STRANDING) 3 CONDUCT. 300V	JACKET:PVC	YELLOW

DESCRIPTION EC NO: WEU2010-0326 DRWN: REISSNER 2010/02/03 CHKD: FP APPR: FPACHER 2010/02/05	QUALITY SYMBOLS ▽ = 0 ▽/C = 0	GENERAL TOLERANCES (UNLESS SPECIFIED) mm INCH 4 PLACES ±--- ±--- 3 PLACES ±--- ±--- 2 PLACES ±--- ±.01 1 PLACE ±0.3 ±--- ANGULAR ± --- °	DIMENSION STYLE IN/MM DRAWN BY DATE REISSNER 2010/02/03 CHECKED BY DATE FP 2010/02/03 APPROVED BY DATE FPACHER 2010/02/05	SCALE 2:1 DESIGN UNITS METRIC THIRD ANGLE PROJECTION
	DRAFT WHERE APPLICABLE MUST REMAIN WITHIN DIMENSIONS		SEE TABLE	NC/MIC 3P F/M 90/ST AWG 24 PVC
	SIZE A3		THIS DRAWING CONTAINS INFORMATION THAT IS PROPRIETARY TO MOLEX INCORPORATED AND SHOULD NOT BE USED WITHOUT WRITTEN PERMISSION	
	MOLEX INCORPORATED DOCUMENT NO. SD-120087-013 SHEET NO. 1			