

MATERIAL NO.	ENGINEERING NO.	FINISHED LENGTH
1300640304	CC4030A70M040	4M (13 FT 1.48 IN)
1300640432	CC4030A70M200G	20M (65 FT 7.4 IN)
1300640433	CC4030A70M400G	40M (131 FT 2.8 IN)

CABLE LENGTH TOLERANCES

<.3M [1FT]: +19mm-0 [+.75in-0]

.3 - .9M [1 - 3FT]: +44.5mm-0 [+1.75in-0]

.9 - 1.8M [3 - 6FT]: +55.6mm-0 [+2.19in-0]

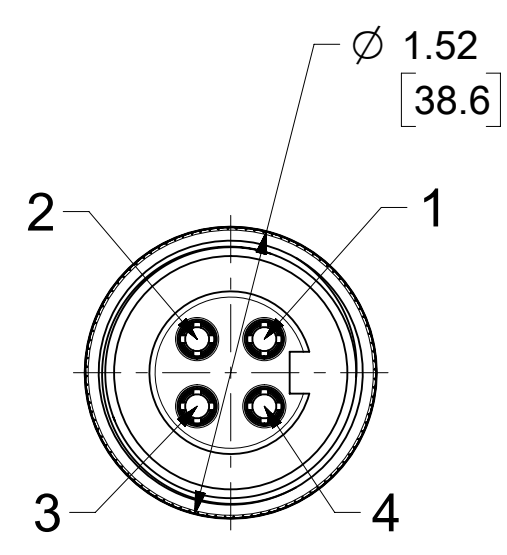
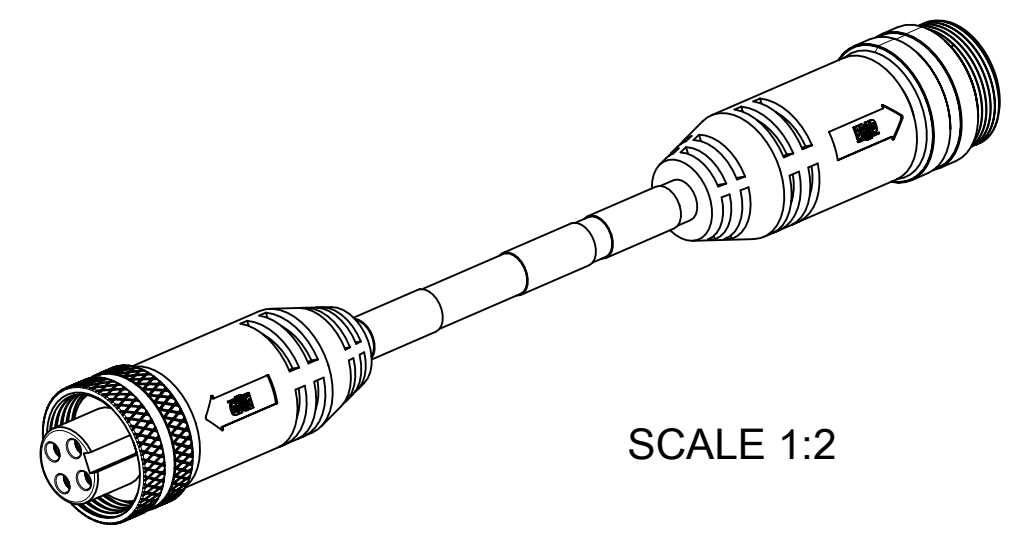
1.8 - 3.7M [6 - 12FT]: +88.9mm-0 [+3.50in-0]

3.7 - 7.3M [12 - 24FT]: +165.1mm-0 [+6.50in-0]

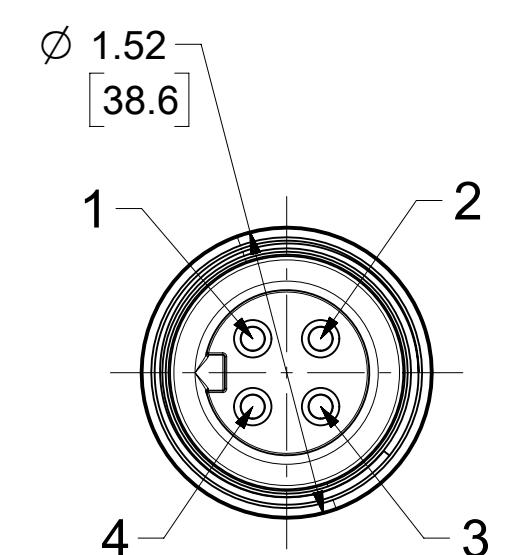
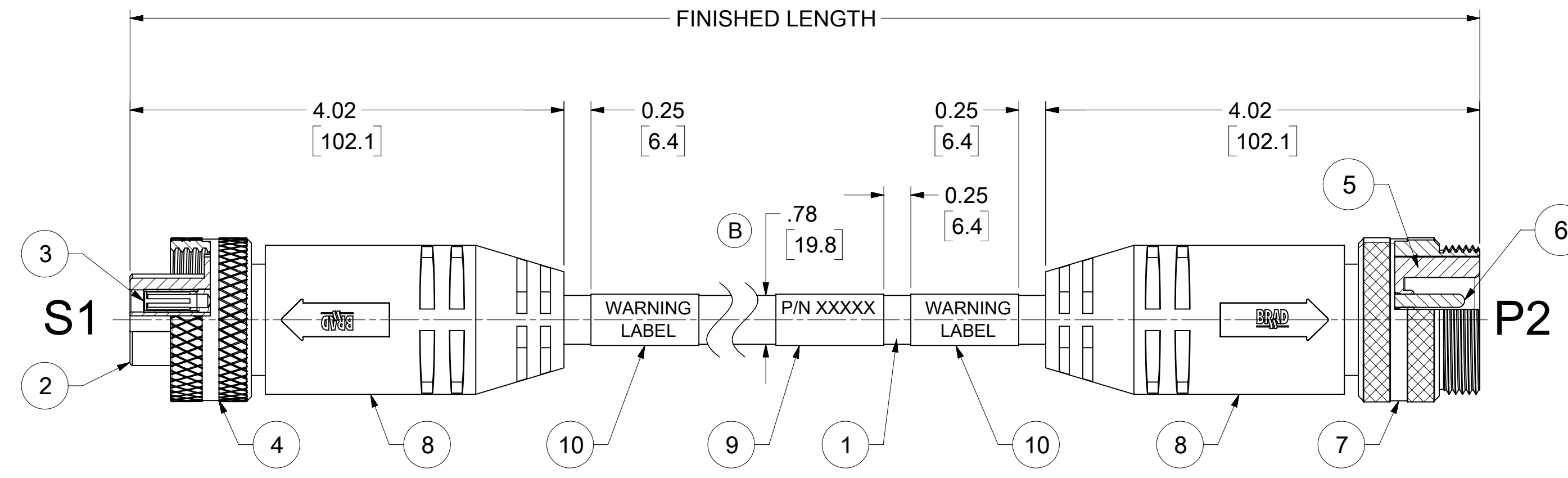
7.3-14.6M [24 - 48FT]: +317.5mm-0 [+12.50in-0]

14.6 - 30.5M [48-100FT]: +622.3mm-0 [+24.50in-0]

OVER 30M [100FT] +2% OF FINISHED LENGTH



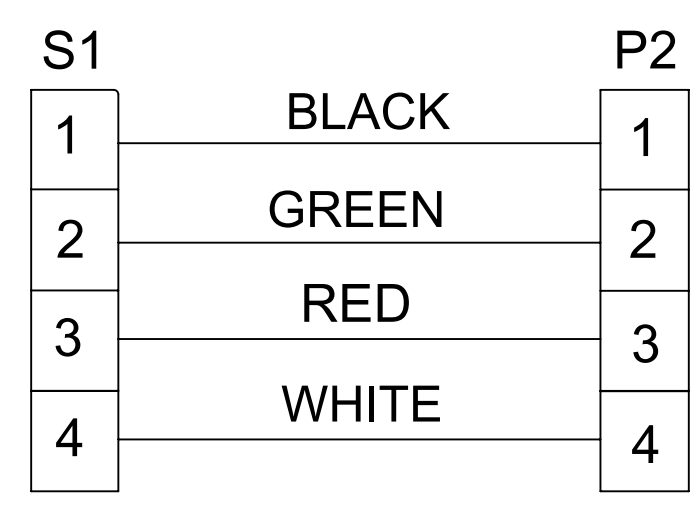
FEMALE FACE VIEW



MALE FACE VIEW

- NOTES:**
1. MATERIAL: AS NOTED
 2. FINISH: AS NOTED
 3. ELECTRICAL:
VOLTAGE: 500V PER IEC60664
600V PER UL2237
 4. TEMP RATING: -20°C TO +105°C
 5. PROTECTION: IP67 (WHEN MATED)
 6. UL LISTED FILE: 258922
 7. COUPLING THREAD : 1 3/8"-16 UN
 8. ALL DIMS ARE FOR REFERENCE UNLESS TOLERANCED OR NOTED OTHERWISE

WIRING DIAGRAM



PART NUMBER LEGEND

CC4030A70M010G

FINISHED LENGTH
M005 = 0.5 METER
M010 = 1.0 METER
M100 = 10 METERS

OVERMOLD COLOR:
BLANK = GRAY
G = BLACK

ITEM	DESCRIPTION	MATERIAL	FINISH
10	WARNING LABEL	VINYL	ORANGE/BLACK
9	WRAP LABEL	VINYL	BLACK/YELLOW
8	OVERMOLDS	TPE	GRAY
7	MALE COUPLING NUT	ALUMINIUM	CLEAR ANODIZE
6	PIN CONTACT	Cu ALLOY	GOLD OVER NICKEL
5	MALE INSERT	TPE	BLACK
4	FEMALE COUPLING NUT	ALUMINIUM	CLEAR ANODIZE
3	SOCKET CONTACT	Cu ALLOY	GOLD OVER NICKEL
2	FEMALE INSERT	TPE	BLACK
1	CABLE, #10-4 AWG, ST00W	PVC JACKET	GRAY/BLACK STRIPE

FUNCTIONAL SYMBOLS	THIS DRAWING CONTAINS INFORMATION THAT IS PROPRIETARY TO MOLEX ELECTRONIC TECHNOLOGIES, LLC AND SHOULD NOT BE USED WITHOUT WRITTEN PERMISSION		CURRENT REV DESC: UPDATED ITEM #2,5,8 WERE PVC & MATERIAL P/N TABLE. ADDED UL, IEC VOLT, TEMP RATING, IP RATING, TOL. CHART AND CABLE DIA.	
	DIMENSION UNITS	SCALE		
$\frac{F}{A} = 0$	INCH	1:1		
$\frac{F}{C} = 0$	GENERAL TOLERANCES (UNLESS SPECIFIED)			
$\frac{F}{P} = 0$		MM	INCH	
DIVISIONAL SYMBOLS	4 PLACES	±	±	
	3 PLACES	±	±	
	2 PLACES	±	±	
	1 PLACE	±	±	
	0 PLACES	±	±	
	ANGULAR TOL	±	°	
DRAFT WHERE APPLICABLE MUST REMAIN WITHIN DIMENSIONS		THIRD ANGLE PROJECTION		DRAWING
				C-SIZE
				SERIES
				130064
DOCUMENT STATUS		P1	RELEASE DATE	2022/04/08 14:05:55
				EC NO: 701162
				DRWN: AKABADI 2021/06/30
				CHK'D: RSTONE 2022/03/30
				APPR: BWOODMAN 2022/04/08
				INITIAL REVISION:
				DRWN: RSTONE 2017/01/04
				APPR: BWOODMAN 2017/01/18
				DOCUMENT NUMBER
				SD-130064-021
				DOC TYPE
				PSD
				DOC PART
				001
				REVISION
				B
				MATERIAL NUMBER
				SEE TABLE
				CUSTOMER
				GENERAL MARKET
				SHEET NUMBER
				1 OF 1