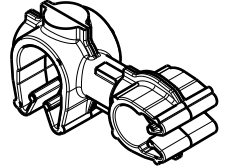
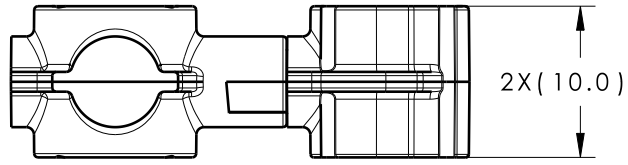
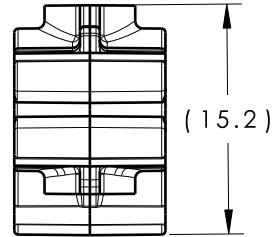
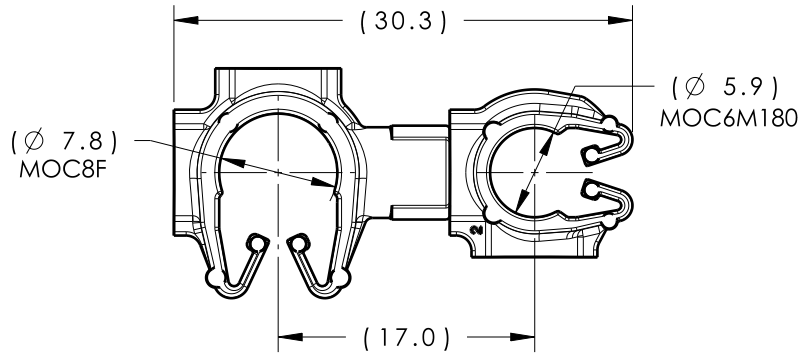


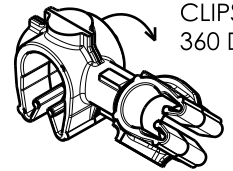
Revision Level			Revision Record	Changed	Date	Approved	Date
Drawing	State	Part					
00.0	Design Release	-	SEE ECN# 014632	TAT	9/7/18	EJH	9/7/18



ISOMETRIC VIEW
SCALE 1:1



TYPE	MOC8F	MOC6M180
HARNESS	7.5MM - 8.5MM	5.5MM - 6.5MM
HOSE	7.0MM - 8.5MM	5.5MM - 6.5MM
HARD PIPE/TUBE	7.9MM - 8.5MM	6.0MM - 6.8MM



CLIPS ROTATE
360 DEGREES

ISOMETRIC VIEW
ROTATED
SCALE 1:1

*RECOMMENDED SIZES MAY DIFFER DEPENDING ON THE APPLICATION , PRODUCT REQUIREMENTS AND MATERIALS USED

**PATENT PENDING 29/582,271

GLOBAL PART DESCRIPTION	MOC8F			MOC6M180		
	DRAWING	MATERIAL	COLOR	DRAWING	MATERIAL	COLOR
MOC8FMOC6M180-PA66HIRHSUV-BK	16-0316-000-CSU	PA66HIRHSUV	BLACK	16-0314-000-CSU	PA66HIRHSUV	BLACK

Material SEE CHART COLOR: SEE CHART	Units	millimeters	The copyright of this drawing is reserved by HellermannTyton. It is issued on condition that it is not reproduced, copied or disclosed to a third party, either wholly or in part, without the consent of HellermannTyton.	Drawn	TAT	9/7/18	Article/Type-No MOC8FMOC6M180	Scale	2:1	
	Tolerance defined on each dimension	North America Email: corp@htamericas.com Web: www.hellermann.tyton.com		Approved	EJH	9/7/18		Title 8MM MOC COUPLED TO A 6MM MOC	Project Number	16-0330
				HellermannTyton		Drawing-No	PRODUCTION : Phase		Format	AH
						16-0330-216-CSU			Sheet	1/1