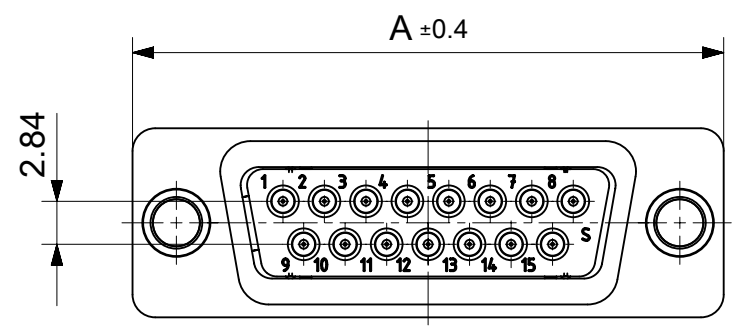
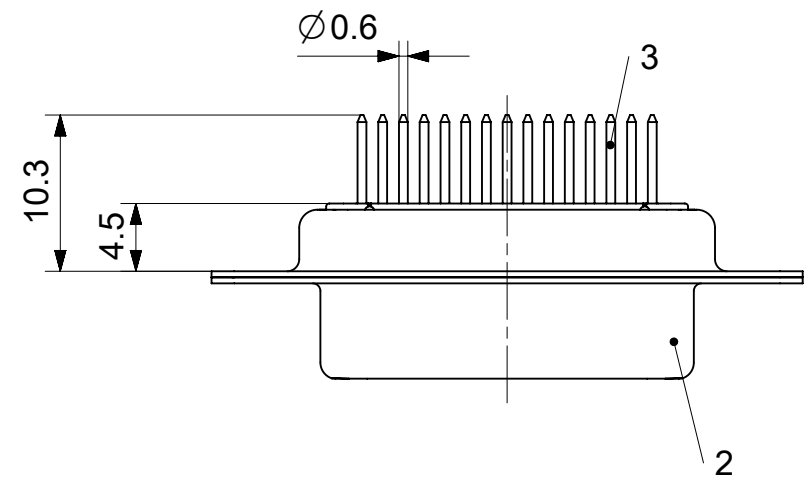
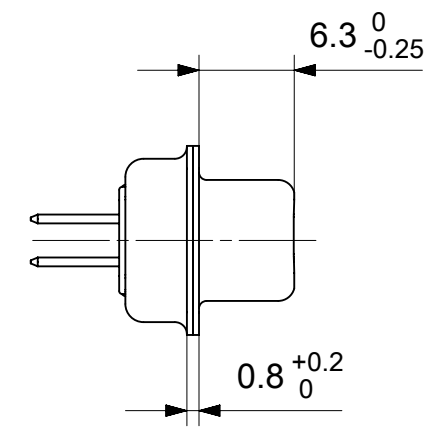
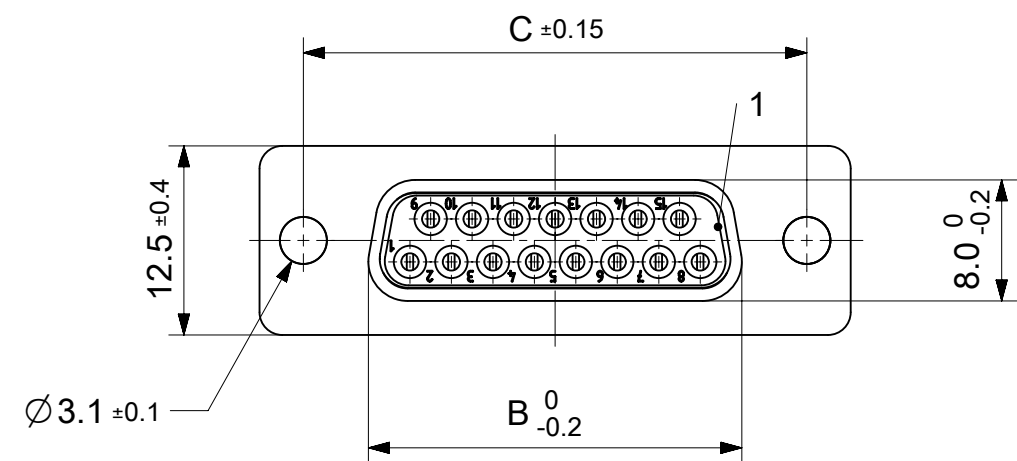


RoHS compliant
by exemption



FCT Part number:
Fxx*1)S1G1A
e.g. F15S1G1A

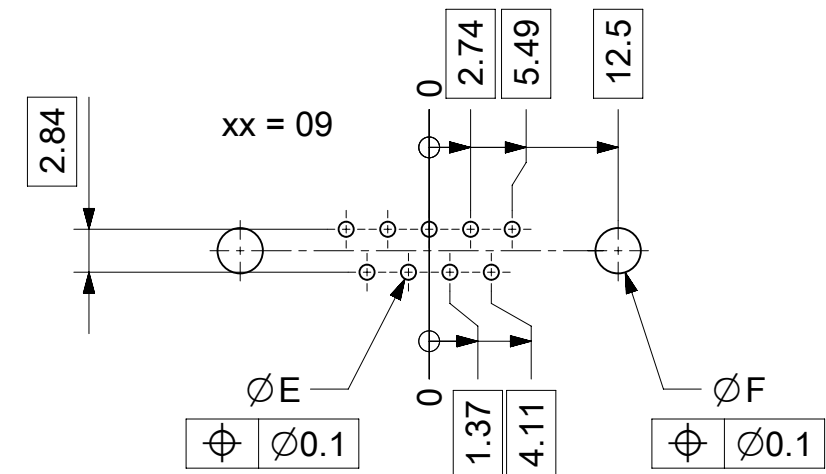
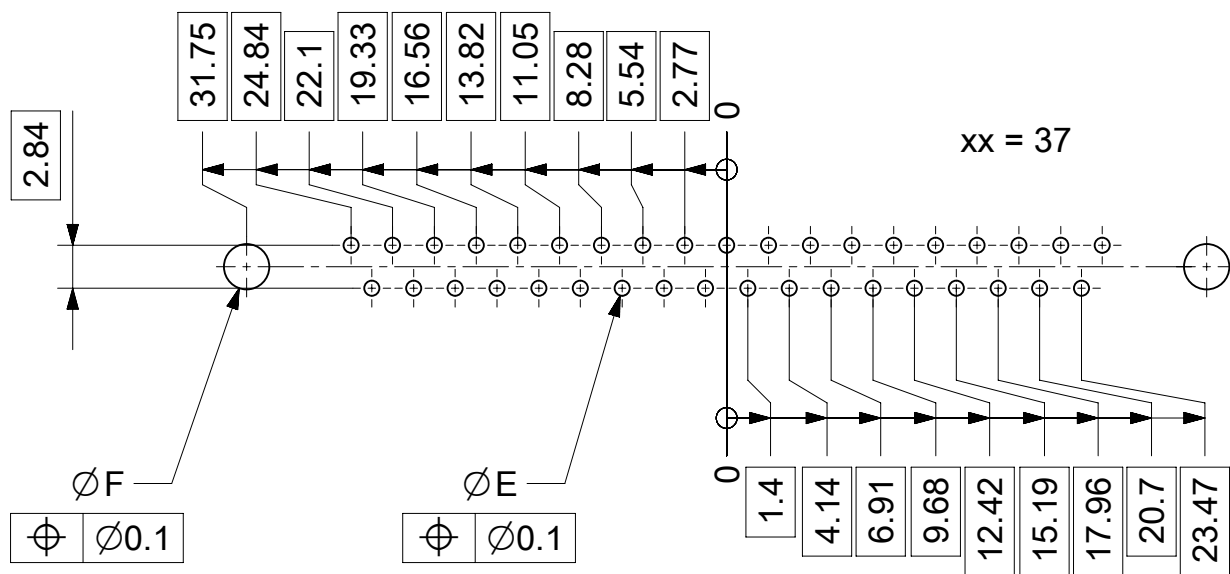
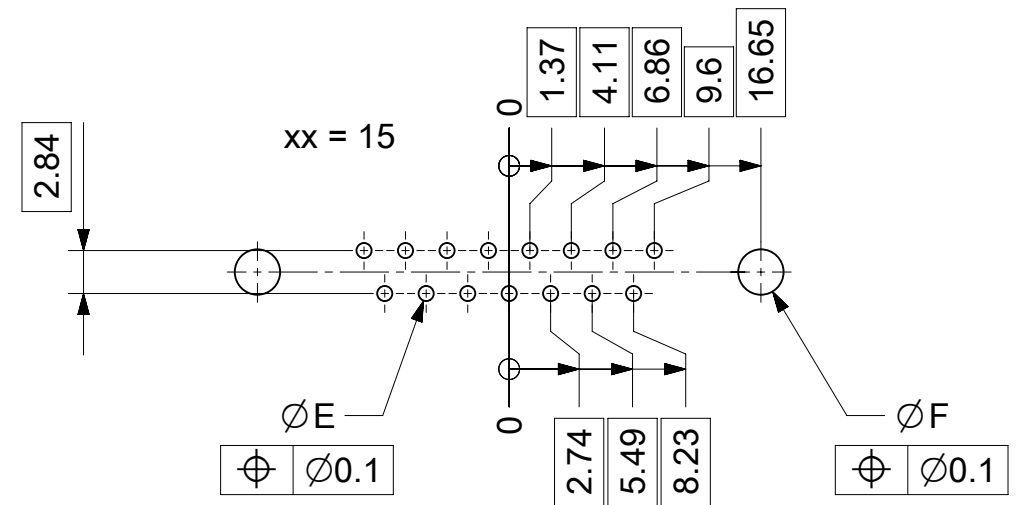
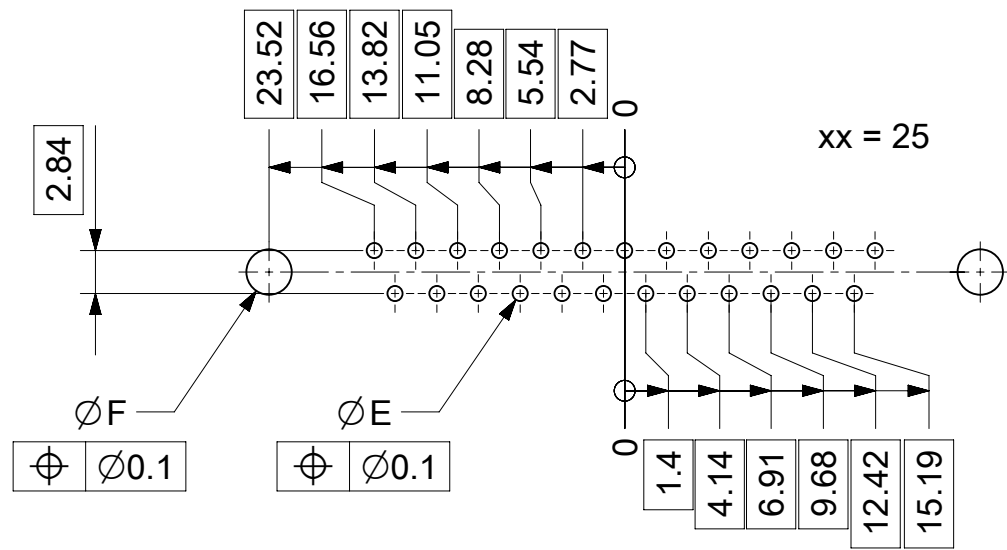
*1) xx No. of contacts 09, 15, 25 or 37

Material Number	xx*1)	A[mm]	B[mm]	C[mm]	*E[mm]
1731090694	09	30.8	16.4	25	Ø1
1731090704	15	39.1	24.7	33.3	
1731090713	25	53	38.5	47.04	
1731090649	37	69.3	54.9	63.5	

*PCB hole patterns ØE see document 2195600023

3	xx	Signal contact	S1 / Brass	Auropur
2	1	Shell	Steel	tin plated
1	1	Insulator	PBT (-55°C to +125°C) acc. UL94V-0	white
No.	Pc.	Part	Type Description/Material	Surface plating/ Color/Class

MEASUREMENTS WITHOUT TOLERANCE ACC TO ISO 2768-m			REPLACEMENT FOR DOCUMENT NUMBER: FxxS1G1A						
FUNCTIONAL SYMBOLS									
THIS DRAWING CONTAINS INFORMATION THAT IS PROPRIETARY TO MOLEX ELECTRONIC TECHNOLOGIES, LLC AND SHOULD NOT BE USED WITHOUT WRITTEN PERMISSION	CURRENT REV DESC:		molex						
GENERAL TOLERANCES (UNLESS SPECIFIED)	EC NO: 707726								
ANGULAR TOL ± °	DRWN: GOOLAM 2021/11/30		FCT D-SUB MINIATURE CONNECTOR						
4 PLACES ±	CHK'D: MTEUBEL 2022/05/25								
3 PLACES ±	APPR: MTEUBEL 2022/05/25		PRODUCT CUSTOMER DRAWING						
2 PLACES ±	INITIAL REVISION:								
1 PLACE ±	DRWN: GOOLAM 2021/11/30		DOCUMENT NUMBER						
0 PLACES ±	APPR: MTEUBEL 2022/05/25								
DRAFT WHERE APPLICABLE MUST REMAIN WITHIN DIMENSIONS		FIRST ANGLE PROJECTION	DRAWING	SERIES	MATERIAL NUMBER	CUSTOMER	DOC TYPE	DOC PART	REVISION
			A3-SIZE	173109	SEE TABLE	GENERAL MARKET	PSD	000	A
									SHEET NUMBER
									1 OF 1



ØE, ØF see data sheet incl. connector
 ØF connectors with accessories only

MEASUREMENTS WITHOUT TOLERANCE ACC TO ISO 2768-m			REPLACEMENT FOR DOCUMENT NUMBER: AM0023			
THIS DRAWING CONTAINS INFORMATION THAT IS PROPRIETARY TO MOLEX ELECTRONIC TECHNOLOGIES, LLC AND SHOULD NOT BE USED WITHOUT WRITTEN PERMISSION						
FUNCTIONAL SYMBOLS	DIMENSION UNITS	SCALE	CURRENT REV DESC:			
$\nabla_A = 0$	mm	2:1	EC NO: 713905			
$\nabla_E = 0$	GENERAL TOLERANCES (UNLESS SPECIFIED)		DRWN: SKANDB 2022/05/16			
$\nabla_P = 0$	ANGULAR TOL ± °		CHK'D: MTEUBEL 2022/07/12			
DIVISIONAL SYMBOLS	4 PLACES ±		APPR: MTEUBEL 2022/07/12			
	3 PLACES ±		INITIAL REVISION:			
	2 PLACES ±		DRWN: SKANDB 2022/05/16			
	1 PLACE ±		APPR: MTEUBEL 2022/07/12			
	0 PLACES ±		DOCUMENT NUMBER			
DRAFT WHERE APPLICABLE MUST REMAIN WITHIN DIMENSIONS		FIRST ANGLE PROJECTION	DRAWING	SERIES	MATERIAL NUMBER	CUSTOMER
			A3-SIZE	219560	219560	GENERAL MARKET
			PRODUCT CUSTOMER DRAWING		REVISION	
			2195600023		A	
			PSD 000		1 OF 1	