



Product Change Notification

TE Connectivity

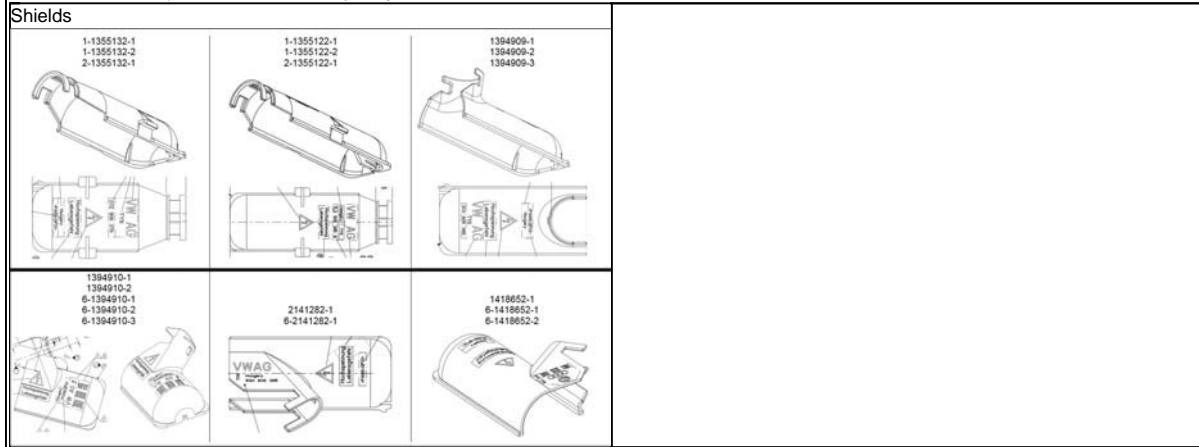
Product Change Notification: P-16-013714

PCN Date: 20/Oct/2016

TE would like to inform you of the following change(s) to the listed TE Connectivity Product. In case of any further questions about this change(s), please contact your TE Connectivity Sales Engineer. Affected part, drawing and/or specification numbers are listed on the attached sheet(s).

General Product Description:
Shield / Cover Receptacle Housing

Description of Changes
Material-PN changed for covers of 154pos ECU connector,
PNs:1-1355132-1;1-1355132-2;2-1355132-1;1394909-1;1394909-2;1394909-3;1-1355122-1;1-1355122-2;2-1355122-1;1418652-1;6-1418652-1;6-1418652-2;2141282-1;6-2141282-1;1394910-1;1-1394910-1;6-1394910-2;6-1394910-3. Material-PN:705190-1 (Co. Almaak, Anjatech PA66J355-EGF13) will stay on drawings but slashed, because of less priority. Material-PN:2136624-1 (Co. Aur AUROmid PA 66 HGF13) added, because of more priority.



Reason for Changes:
Product improvement.Customer Request.Material-PN changed for covers: PN:1-1355122-1,1-1355122-2,2-1355122-1;Material-PN:705190-1 will stay on drawing 1355122 but slashed, Material-PN:2136624-1 added. PN:1-1355132-1,1-1355132-2,2-1355132-1;Material-PN:705190-1 will stay on drawing 1355132 but slashed, Material-PN:2136624-1 added. Manufacturing country and code updated on the part. PN:1394909-1,1394909-2,1394909-3;Material-PN:705190-1 will stay on drawing 1394909 but slashed, Material-PN:2136624-1 added. Manufacturing country and code updated on the part.

Estimated Dates:

Last Order Date (Obsolete Parts Only):	First Date To Ship (Changed Parts Only):
	15-NOV-2016
Last Ship Date (Obsolete Parts Only):	Last Date for Mixed Shipments: (Changed Parts Only):
	15-NOV-2018

Part Number(s) being Modified:

Part Number	Part Discontinued per PCN	Customer Drawing	Customer Part Number	Alias Part Number(s)	Substitute Part Number	Substitute Alias Part Number(s)	Description Of Difference
1-1355122-2	NO						
1-1355122-2	NO						

Part Number(s) being Modified:

Part Number	Part Discontinued per PCN	Customer Drawing	Customer Part Number	Alias Part Number(s)	Substitute Part Number	Substitute Alias Part Number(s)	Description Of Difference
1-1355122-2	NO						

Part Number(s) being Modified:

Part Number	Part Discontinued per PCN	Customer Drawing
1-1355122-2	NO	

Customer Part Number

Alias Part Number(s)

Substitute Part Number

Substitute Alias Part Number(s)

Description Of Difference