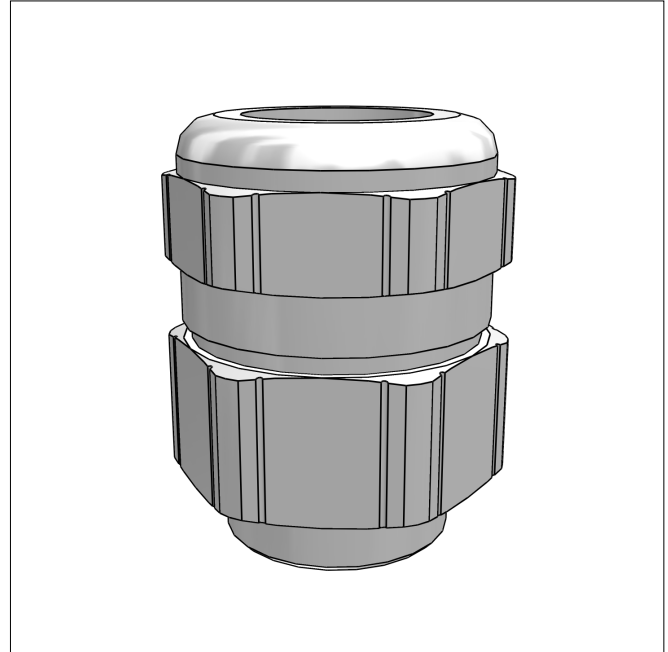
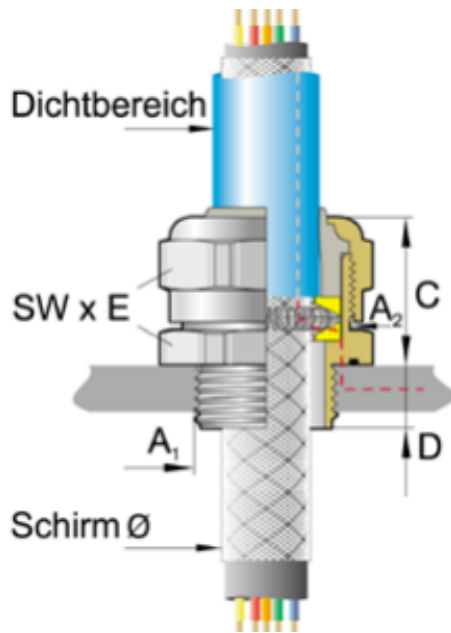




UNI HF EMV DICHT U87 Pg



A (Connecting thread)	Pg16
A2 (Connecting thread)	Pg21
WERKSTOFF (Screwed connection bodies)	Brass gland
D (Connecting thread length / mm)	6.5
ARTNR (Article number)	1535418S09
DICHTEINSATZ (Material of sealing inserts)	TPE
INFO (Material gland body)	INFO PDF
DICHT (Sealing range (max.-min.))	18 - 14
SCHIRM (Screen Ø)	14.5 - 9
VARIANTE (Variant)	A
C (Build height / mm)	35
SW (Spanner-width)	30x33.5
VE (Package unit)	25

 PFLITSCH Competence in Cable Management www.pflitsch.de		Allgemeintoleranzen				M	g	cm ³
						Material Dimension		
		Date		Name		Benennung / Title		
		Bearbeitet				UNI HF EMV DICHT U87 Pg 1535418S09		
		Geprüft						
		Norm				Artgr. / Article category		
		Copyright DIN ISO 16016 shall be observed!				CAD-Nr. / Drawing-Nr.		
		The reproduction, distribution and utilization of this document as well as the communication of its contents to others without express authorization is prohibited. Offenders will be held liable for the payment of damages. All rights reserved				Var.		Blatt
						0		Sheet
								of
Index	Bemerkung/Comment	Date	Name	Original Format	[A4]	Ers.f.:	Ers.d.:	