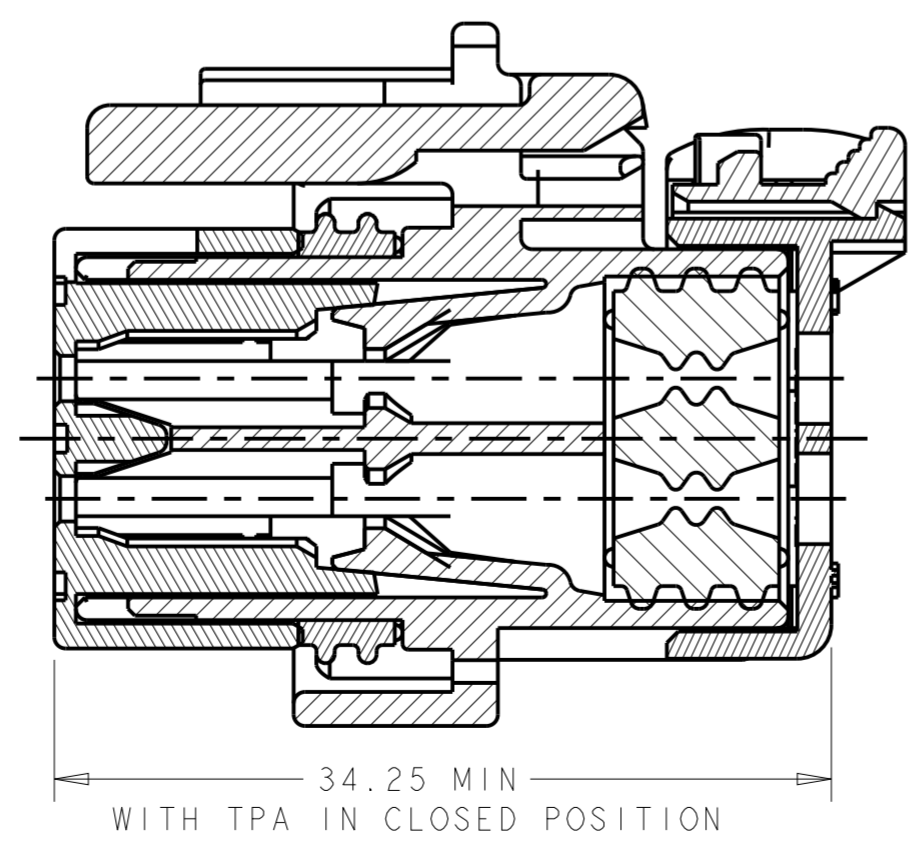
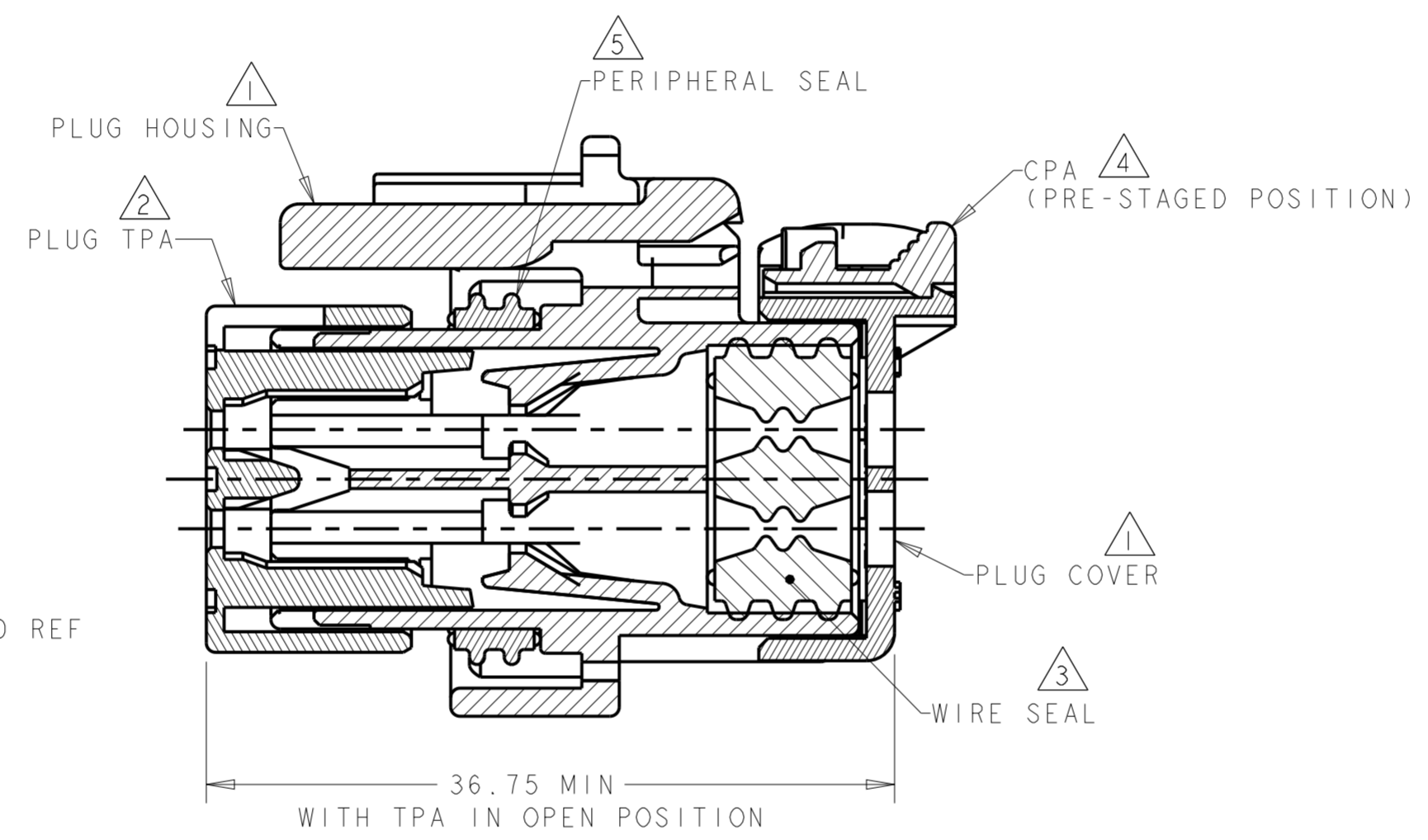
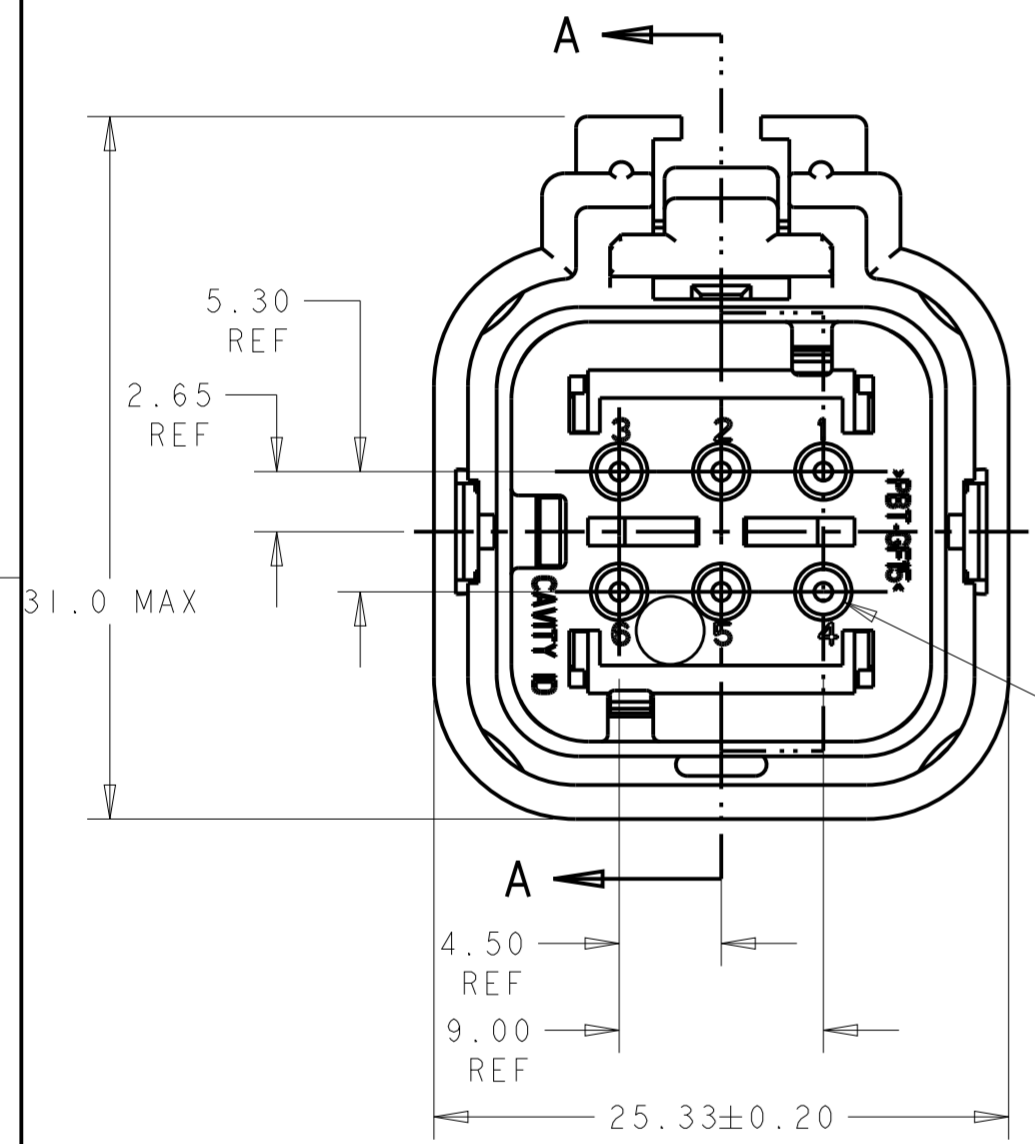
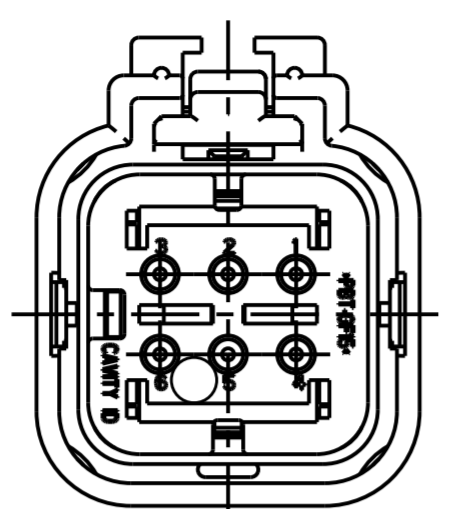
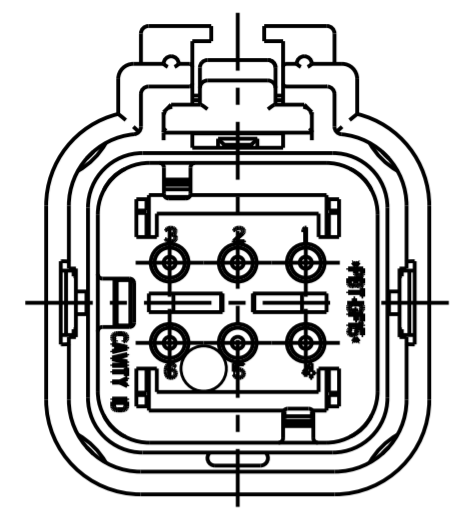
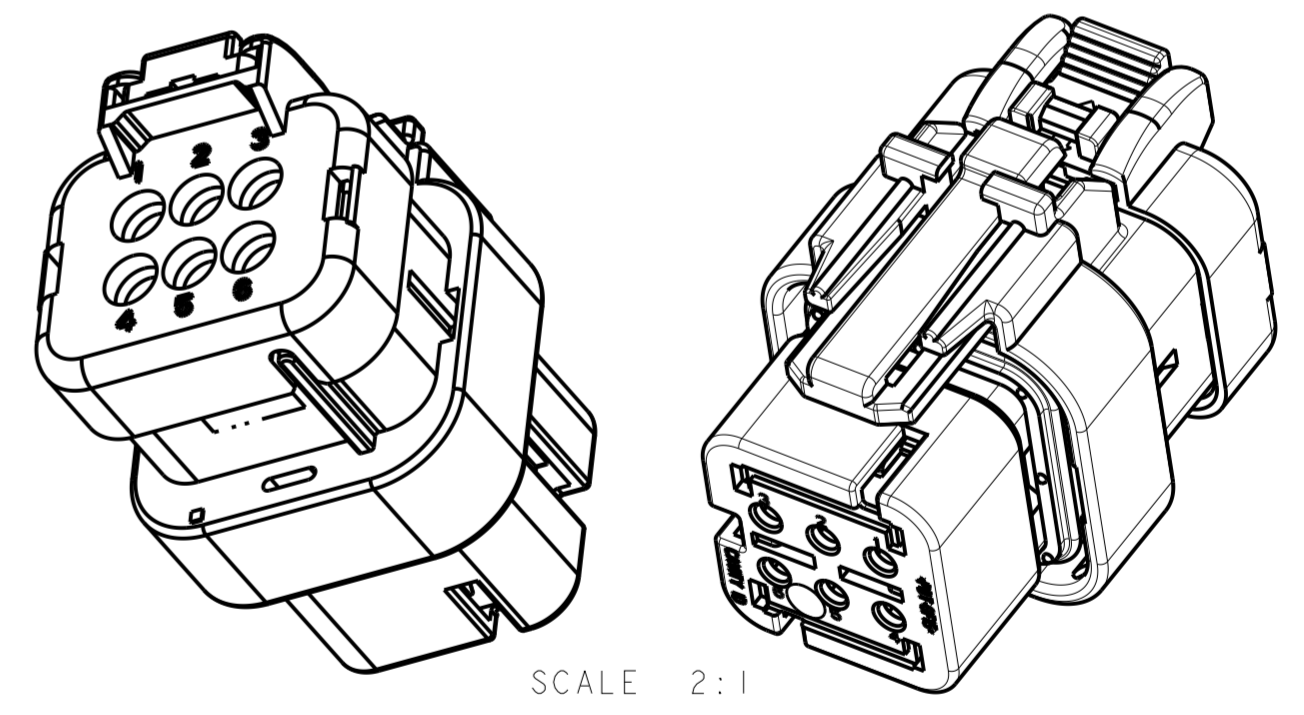


THIS DRAWING IS UNPUBLISHED. RELEASED FOR PUBLICATION. ALL RIGHTS RESERVED.

REVISIONS				
P	LTR	DESCRIPTION	DATE	APVD
A		NEW RELEASE	08APR2021	MK BC



- 1 MATERIAL: 15% FIBERGLASS REINFORCED PBT  
COLOR: GRAY
- 2 MATERIAL: 15% FIBERGLASS REINFORCED PBT  
COLOR: (SEE TABLE)
- 3 MATERIAL: SILICONE  
COLOR: LIGHT GRAY
- 4 MATERIAL: 15% FIBERGLASS REINFORCED PBT  
COLOR: ORANGE
- 5 MATERIAL: SILICONE  
COLOR: BLUE
- 6. RECOMMENDED WIRE DIAMETER RANGE IS 1.30 TO 2.54mm.
- 7. RECOMMENDED BACKSHELLS:  
 STRAIGHT EXIT:  
 A. 2292800-1 SMOOTH WIRE EXIT  
 B. 2292800-2 NC16/NW13 CONDUIT WIRE EXIT  
 C. 2292800-3 NC12/NW10 CONDUIT WIRE EXIT  
 90° EXIT:  
 D. 2302493-1 SMOOTH WIRE EXIT  
 E. 2302493-2 NC16/NW13 CONDUIT WIRE EXIT  
 F. 2302493-3 NC12/NW10 CONDUIT WIRE EXIT
- 8. RECOMMENDED SEAL PLUG: 776363-1
- 9. MATING CONNECTOR: 2320929-X



C	PURPLE	2320935-3
B	BLUE	2320935-2
A	TAN	2320935-1
KEY	TPA COLOR	PART NUMBER

THIS DRAWING IS A CONTROLLED DOCUMENT.		DWN J. MCNEAL 18SEP2018	TE Connectivity	
DIMENSIONS: mm		CHK R. BALTER 18SEP2018		
TOLERANCES UNLESS OTHERWISE SPECIFIED:		APVD R. BALTER 18SEP2018	NAME PLUG ASSEMBLY, 6 POSITION REDUCED DIA SEAL, HIGH TEMP AMPSEAL 16	
0 PLC ±-		PRODUCT SPEC 108-32602	SIZE A2	
1 PLC ±-		APPLICATION SPEC 114-32362	CAGE CODE -	
2 PLC ±0.20		WEIGHT 14±1g	DRAWING NO G-2320935	
3 PLC ±-		CUSTOMER DRAWING	RESTRICTED TO	
4 PLC ±-			SCALE 1:1	
ANGLES ±-			SHEET OF	
FINISH -			REV A	