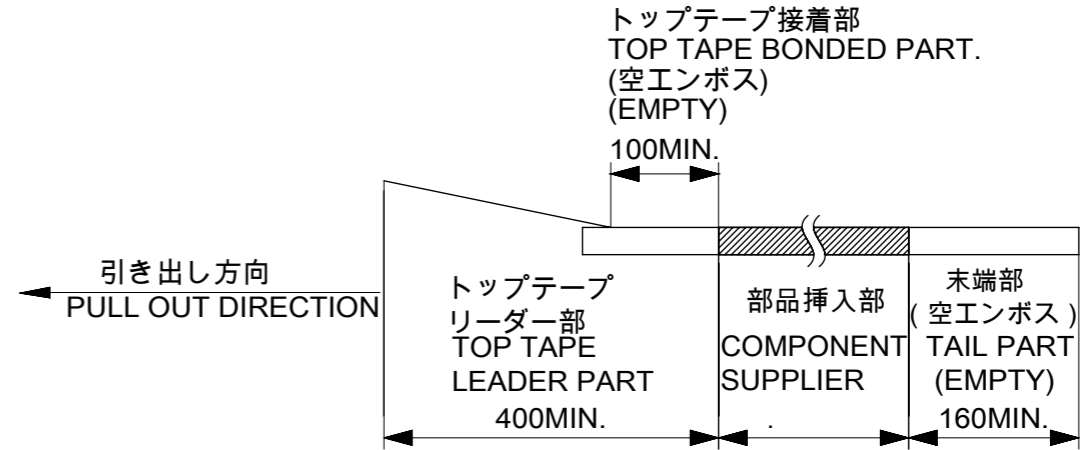
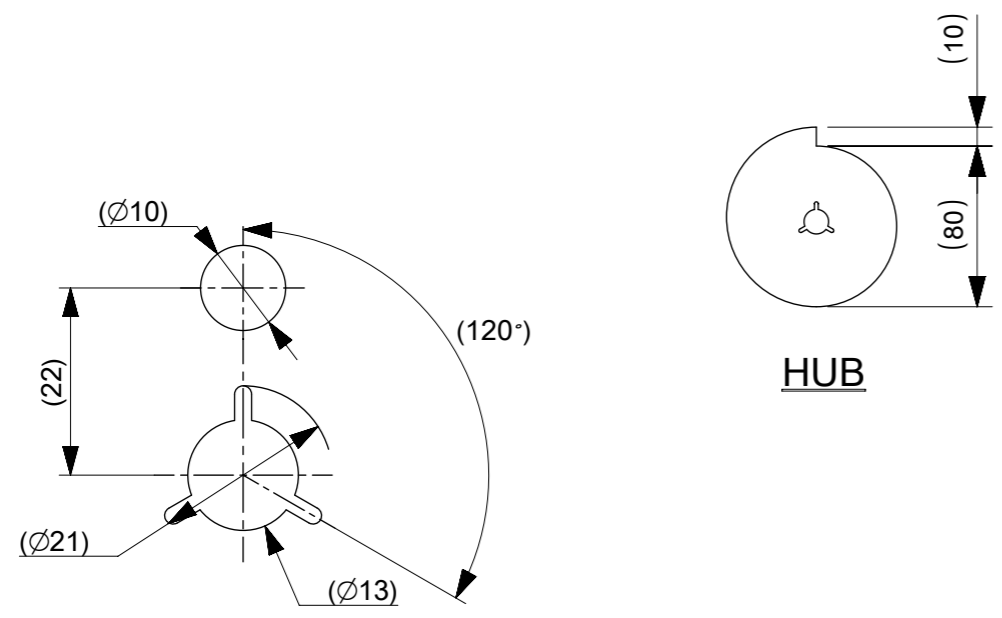


- NOTES**
- 梱包数量 : 900個 / リール
NUMBER OF CONNECTORS : 900 PCS/REEL.
 - リードテープ長さ
LEAD TAPE LENGTH.



- 製品詳細寸法については図面 5018641002 DOC.PART 000を参照下さい。
RE DETAILED DIMENSION, SEE 5018641002 DOC.PART 000.
- 材料(MATERIAL)
キャリアテープ(CARRIER TAPE) : ポリスチレン(POLYSTYRENE)
トップテープ(TOP TAPE) : PET, PE, PE
リール(REEL) : ポリスチレン(POLYSTYRENE)
- ELV及びRoHS適合品
ELV AND RoHS COMPLIANT

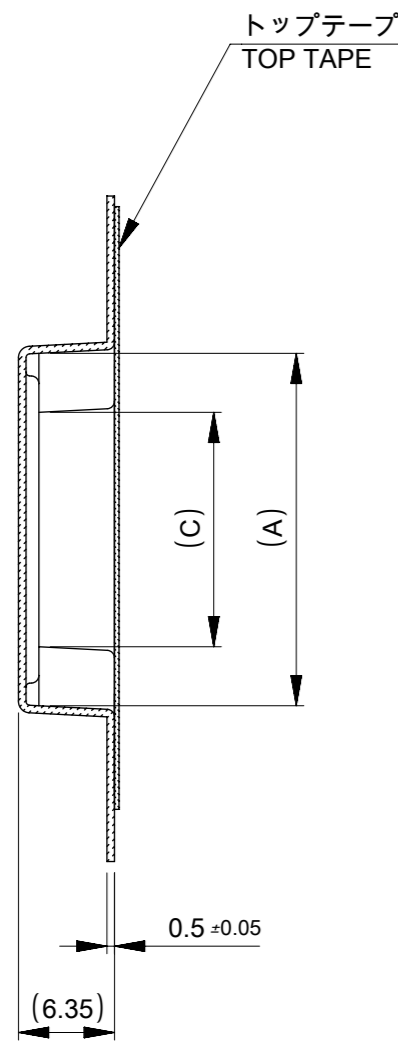


DETAIL "F"

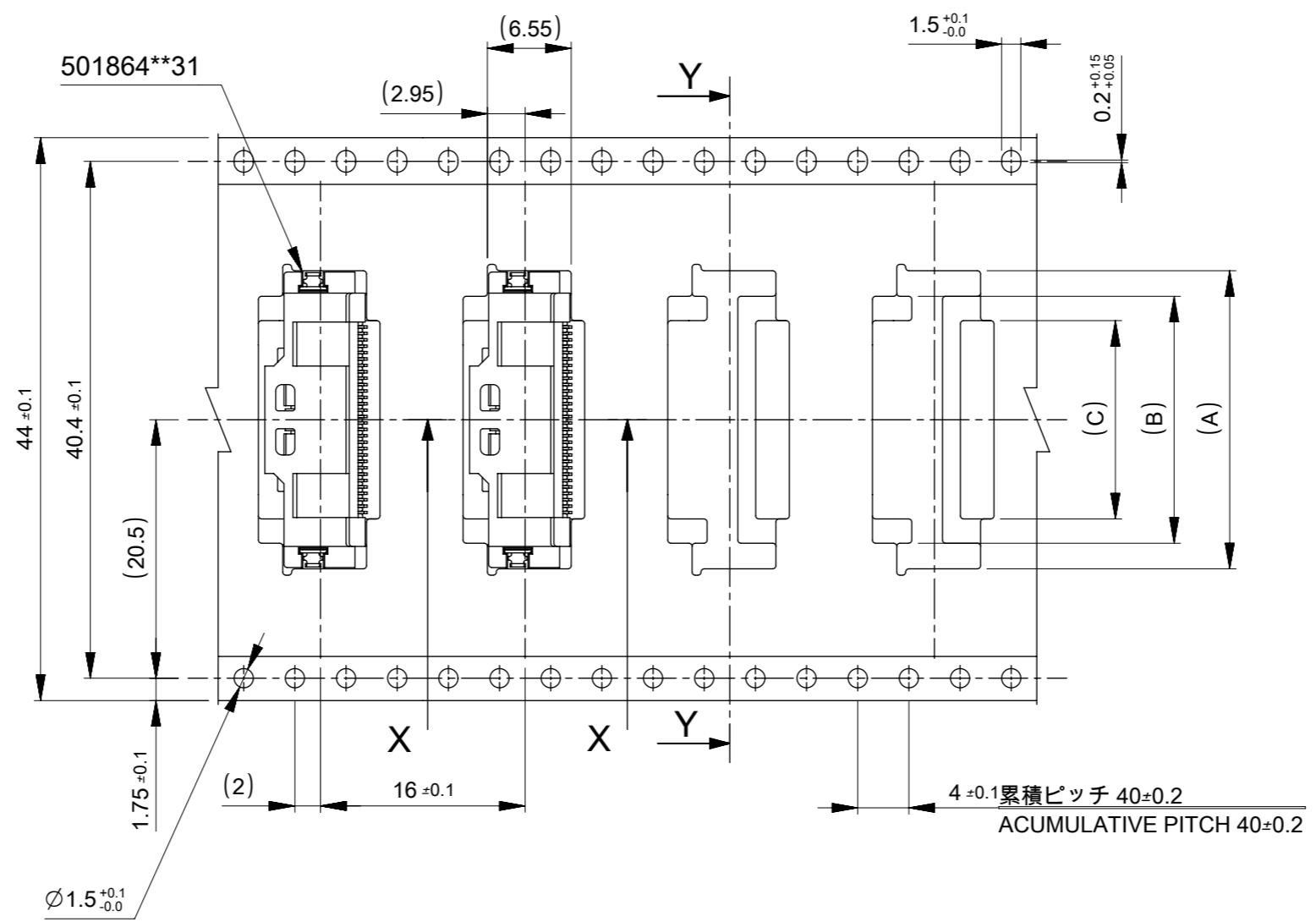
501864**91 MODEL NO.

THIS DRAWING CONTAINS INFORMATION THAT IS PROPRIETARY TO MOLEX ELECTRONIC TECHNOLOGIES, LLC AND SHOULD NOT BE USED WITHOUT WRITTEN PERMISSION		CURRENT REV DESC:		molex	
DIMENSION UNITS	SCALE				
mm	NTS			EMBSTP PKG FOR 0.5 FFC TO BOARD ST TYPE	
GENERAL TOLERANCES (UNLESS SPECIFIED)		EC NO: 640427		PRODUCT CUSTOMER DRAWING	
ANGULAR TOL	± 1.0°	DRWN: NINOUE01	2020/06/29	DOCUMENT NUMBER	
4 PLACES	±	CHK'D: HSHIMUYAMA	2020/07/01	5018640002	
3 PLACES	±	APPR: SHOSHIKAWA	2020/07/01	DOC TYPE	DOC PART
2 PLACES	± 0.2	INITIAL REVISION:		PSD	000
1 PLACE	± 0.2	DRWN: KMKERUR	2016/02/22	C	
0 PLACES	± 0.2	APPR: NUKITA	2016/04/27	SHEET NUMBER	
DRAFT WHERE APPLICABLE MUST REMAIN WITHIN DIMENSIONS		THIRD ANGLE PROJECTION	DRAWING	SERIES	MATERIAL NUMBER
			A3-SIZE	501864	CUSTOMER
					GENERAL MARKET
					1 OF 3

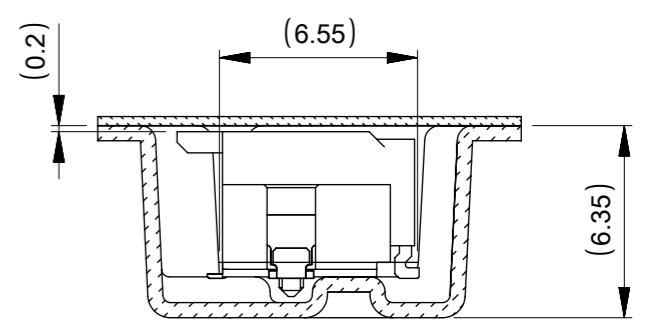
引き出し方向
PULL OUT DIRECTION



SECT. Y-Y



44mm幅キャリアテープ
44mm WIDTH CARRIER TAPE



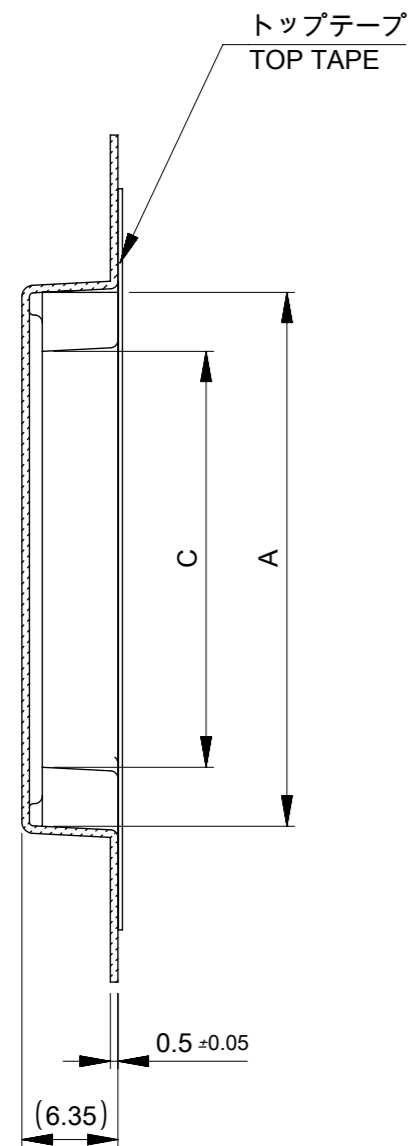
SECT. X-X

44	45.4	20.6	24.3	28.3	5018644091	40
		15.6	19.3	23.3	5018643091	30
キャリアテープ幅 CARRIER TAPE WIDTH		D	C	B	A	製品番号 MATERIAL NO.
						極数 CKT

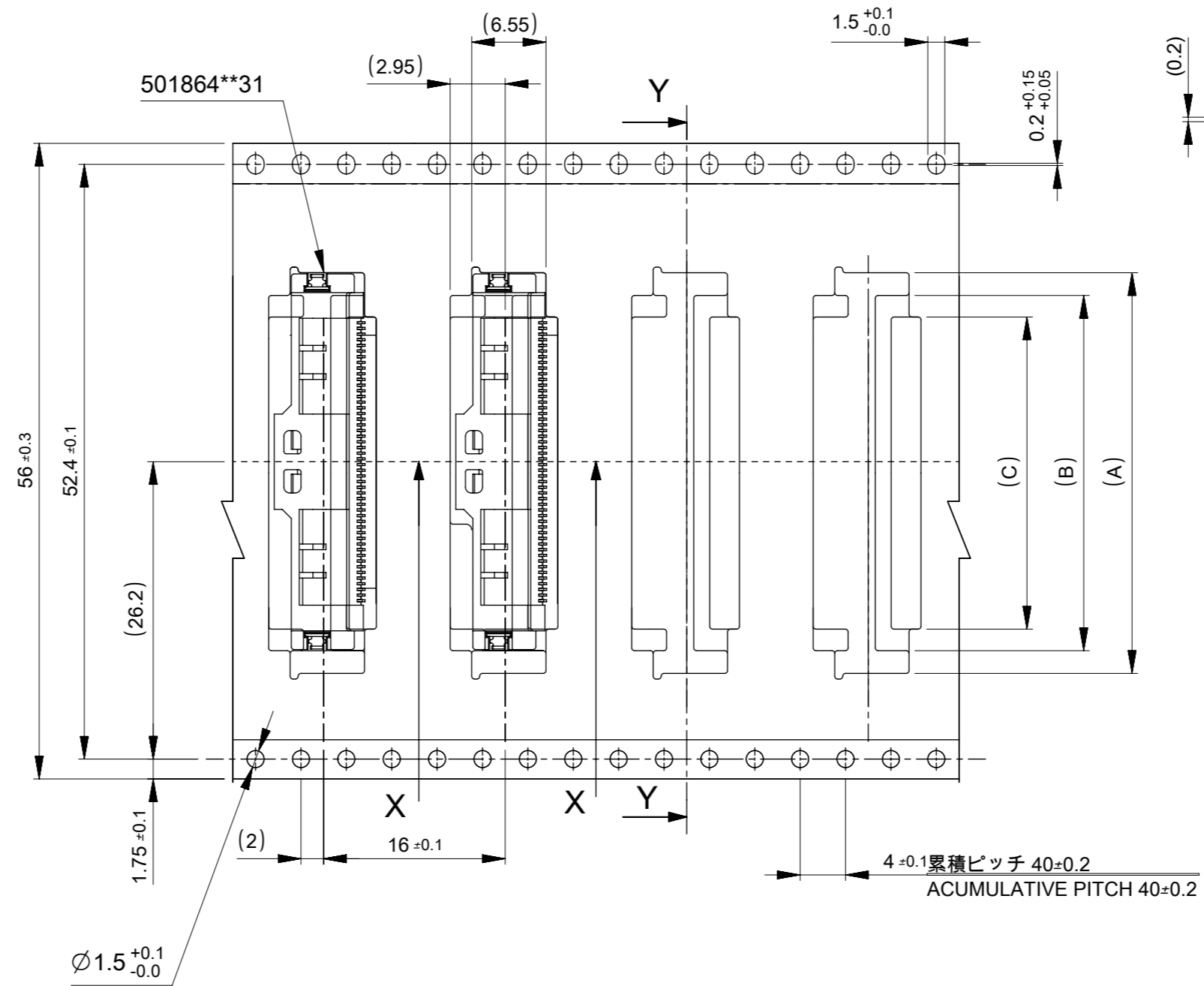
THIS DRAWING CONTAINS INFORMATION THAT IS PROPRIETARY TO MOLEX ELECTRONIC TECHNOLOGIES, LLC AND SHOULD NOT BE USED WITHOUT WRITTEN PERMISSION

DIMENSION UNITS mm	SCALE NTS	CURRENT REV DESC:		molex		
GENERAL TOLERANCES (UNLESS SPECIFIED)		EC NO: 640427				
ANGULAR TOL	± 1.0°	DRWN: NINOUE01		PRODUCT CUSTOMER DRAWING		
4 PLACES	±	CHK'D: HSHIMYOYAMA		DOCUMENT NUMBER		
3 PLACES	±	APPR: SHOSHIKAWA		5018640002		
2 PLACES	± 0.2	INITIAL REVISION:		DOC TYPE		
1 PLACE	± 0.2	DRWN: KMKERUR		PSD		
0 PLACES	± 0.2	APPR: NUKITA		DOC PART		
DRAFT WHERE APPLICABLE MUST REMAIN WITHIN DIMENSIONS		THIRD ANGLE PROJECTION	DRAWING	SERIES	MATERIAL NUMBER	CUSTOMER
			A3-SIZE	501864	GENERAL MARKET	REVISION
						000 C
						SHEET NUMBER
						2 OF 3

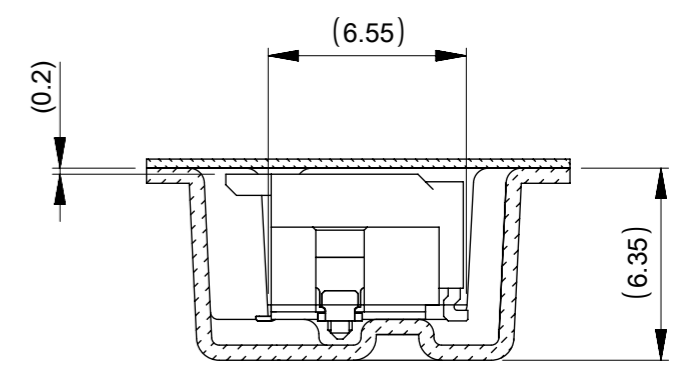
引き出し方向
PULL OUT DIRECTION



SECT. Y-Y



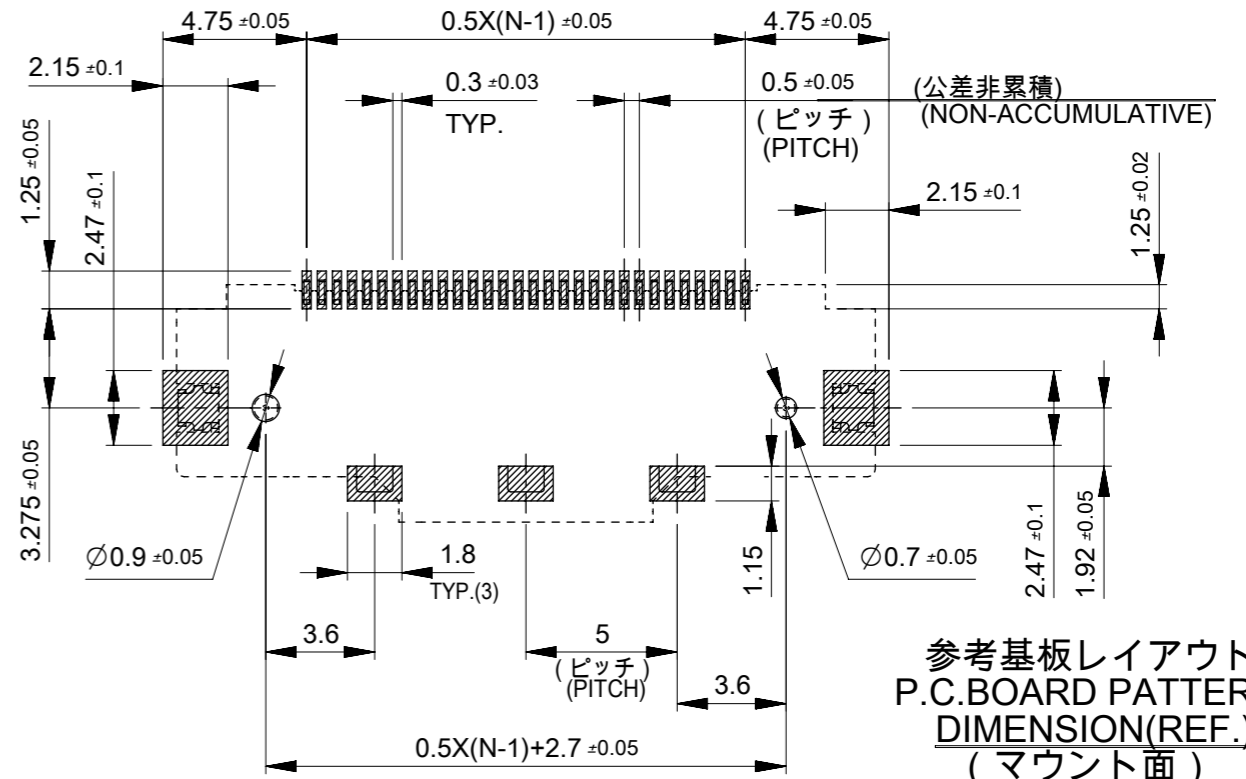
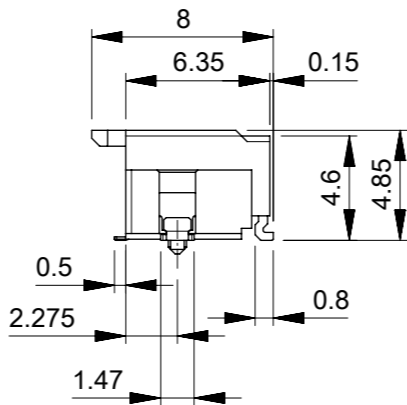
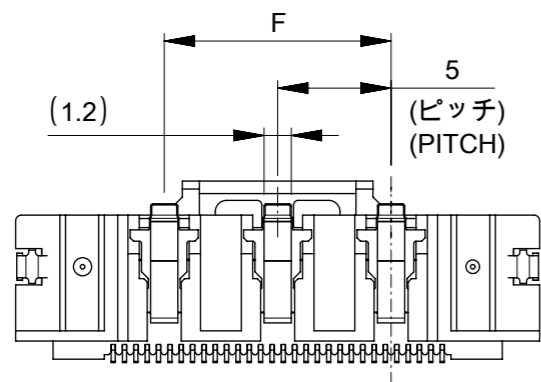
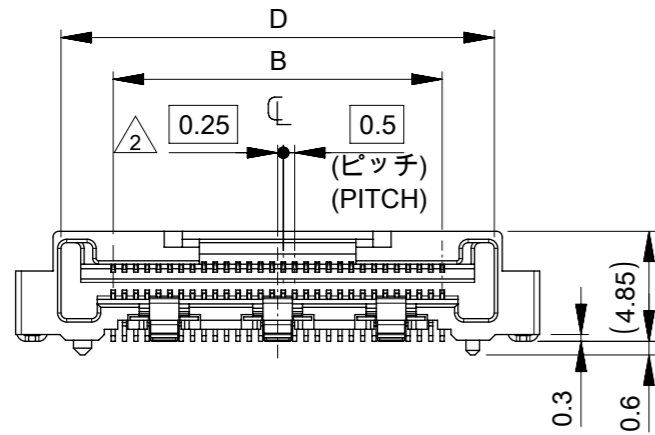
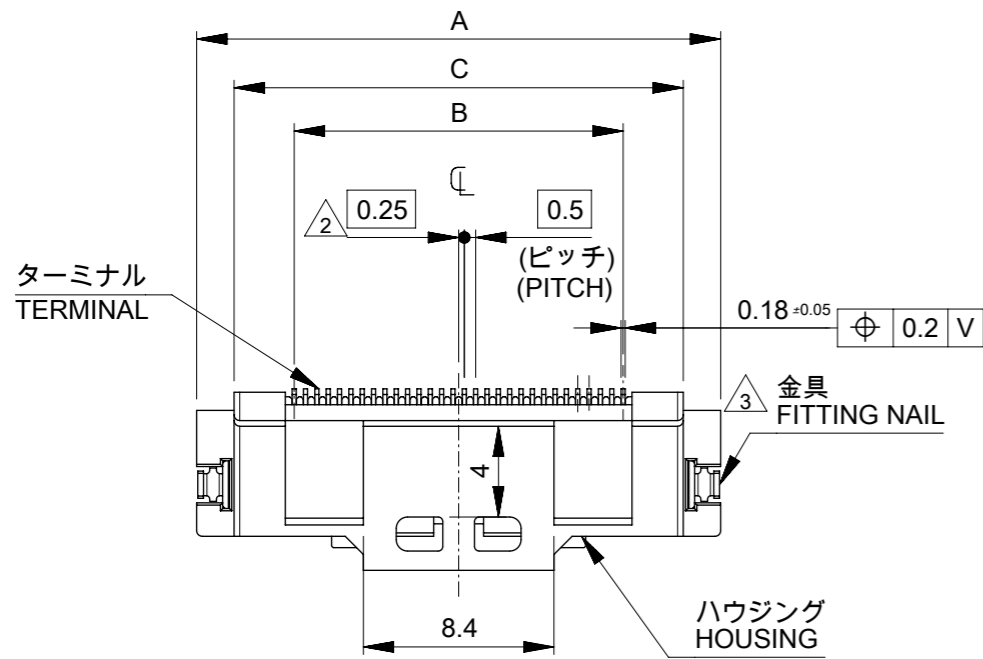
56mm幅キャリアテープ
56mm WIDTH CARRIER TAPE



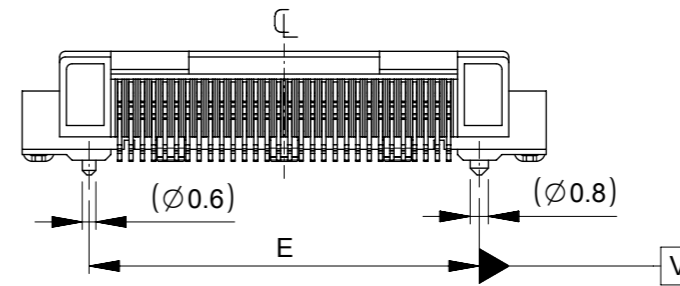
SECT. X-X

56	57.4	25.6	29.3	33.3	5018645091	50				
キャリアテープ幅 CARRIER TAPE WIDTH					D	C	B	A	製品番号 MATERIAL NO.	極数 CKT

THIS DRAWING CONTAINS INFORMATION THAT IS PROPRIETARY TO MOLEX ELECTRONIC TECHNOLOGIES, LLC AND SHOULD NOT BE USED WITHOUT WRITTEN PERMISSION		SCALE		CURRENT REV DESC:		molex	
DIMENSION UNITS	SCALE						
mm	NTS					EMBSTP PKG FOR 0.5 FFC TO BOARD ST TYPE	
GENERAL TOLERANCES (UNLESS SPECIFIED)		EC NO: 640427		DRWN: NINOUE01		2020/06/29	
ANGULAR TOL ± 1.0°		4 PLACES ±		CHK'D: HSHIMUYAMA		2020/07/01	
4 PLACES ±		3 PLACES ±		APPR: SHOSHIKAWA		2020/07/01	
3 PLACES ±		2 PLACES ± 0.2		INITIAL REVISION:		DOCUMENT NUMBER	
2 PLACES ± 0.2		1 PLACE ± 0.2		DRWN: KMKERUR		5018640002	
1 PLACE ± 0.2		0 PLACES ± 0.2		APPR: NUKITA		PSD 000 C	
DRAFT WHERE APPLICABLE MUST REMAIN WITHIN DIMENSIONS		THIRD ANGLE PROJECTION		DRAWING		SERIES	
		A3-SIZE		501864		MATERIAL NUMBER	
		GENERAL MARKET		CUSTOMER		SHEET NUMBER	
		3 OF 3					



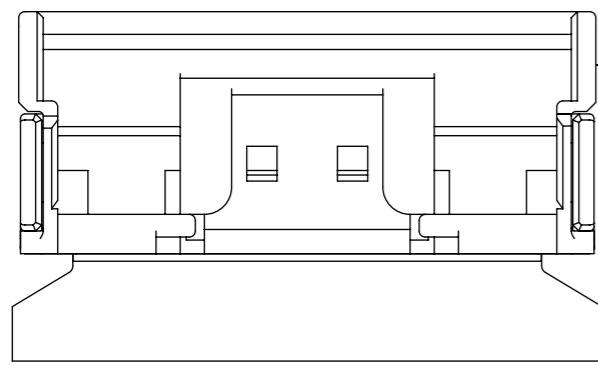
参考基板レイアウト
P.C. BOARD PATTERN
DIMENSION(REF.)
(マウント面)
(MOUNTING SIDE)



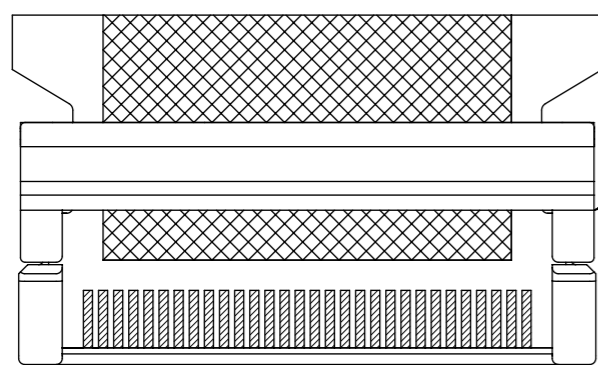
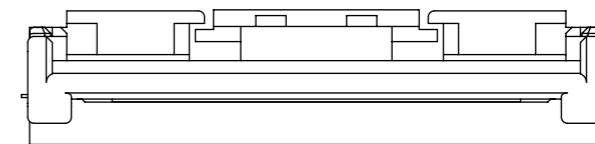
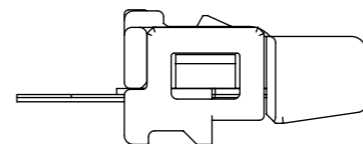
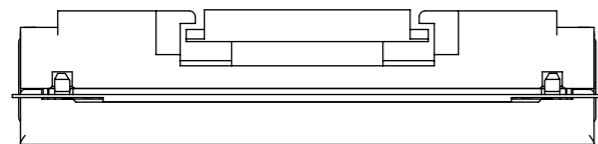
5	20	27.2	29.1	29.8	24.5	33.1	5018645091	50
4	15	22.2	24.1	24.8	19.5	28.1	5018644091	40
3	10	17.2	19.1	19.8	14.5	23.1	5018643091	30
QTY OF GROUND TERMINAL	F	E	D	C	B	A	EMBOSSED TAPE PKG. ORDER No. オーダー番号	極数 CKTS

CONNECTOR SERIES No. 501864**31

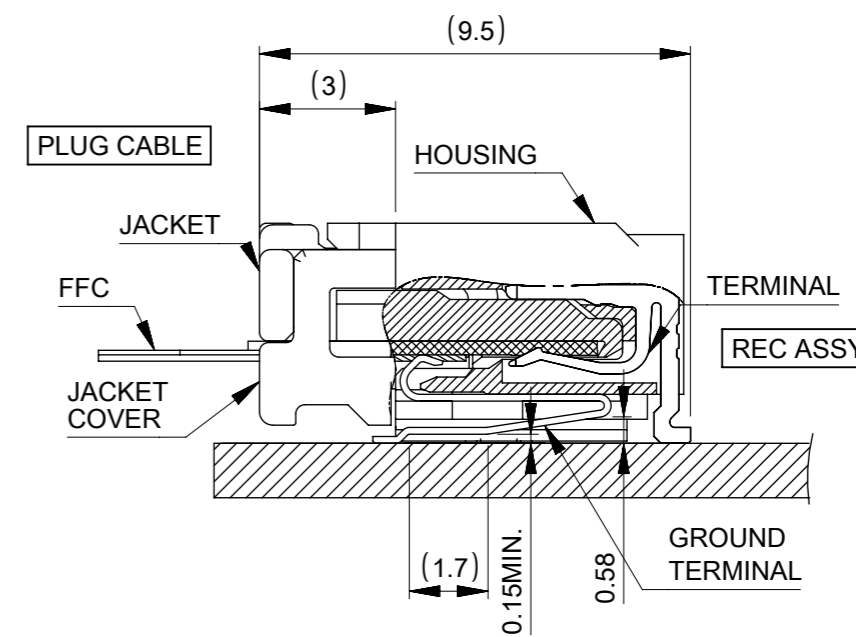
THIS DRAWING CONTAINS INFORMATION THAT IS PROPRIETARY TO MOLEX ELECTRONIC TECHNOLOGIES, LLC AND SHOULD NOT BE USED WITHOUT WRITTEN PERMISSION		CURRENT REV DESC:		molex		
DIMENSION UNITS mm	SCALE 3:1					
GENERAL TOLERANCES (UNLESS SPECIFIED)		EC NO: 640427		0.5 FFC TO BOARD CONN REC. HSG ASSY(RA)		
ANGULAR TOL	± 1.0°	DRWN: NINOUE01		2020/06/29		
4 PLACES	±	CHK'D: HSHIMOYAMA		2020/07/01		
3 PLACES	±	APPR: SHOSHIKAWA		2020/07/01		
2 PLACES	± 0.2	INITIAL REVISION:		DOCUMENT NUMBER		
1 PLACE	± 0.2	DRWN: KMKERUR		5018641002		
0 PLACES	± 0.2	APPR: NUKITA		PSD 000 C		
DRAFT WHERE APPLICABLE MUST REMAIN WITHIN DIMENSIONS		THIRD ANGLE PROJECTION	DRAWING	SERIES	MATERIAL NUMBER	CUSTOMER
		⊕ ⊖	A3-SIZE	501864		GENERAL MARKET
				SHEET NUMBER		1 OF 3



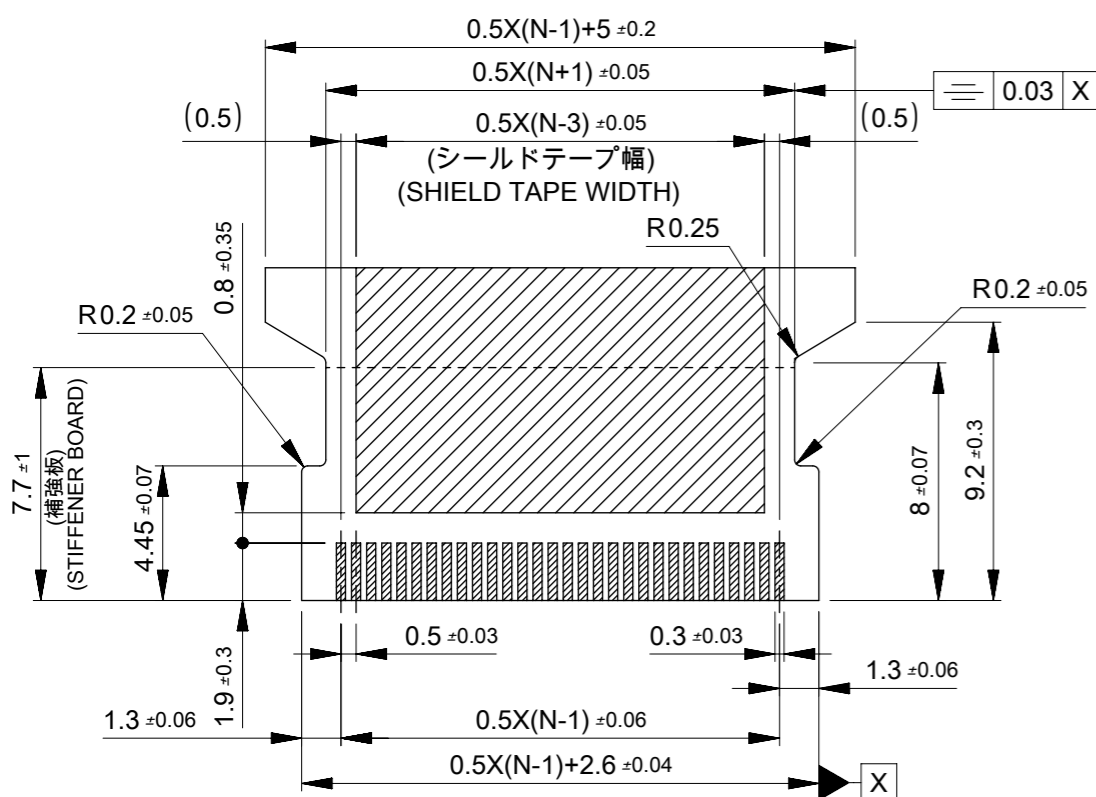
4 ジャケット
JACKET



5 ジャケットカバー
JACKET COVER



嵌合断面図
MATED CONNECTOR SECTION



適合 FFC 寸法
APPLICABLE FFC
RECOMMENDED DIMENSION
(仕上がり厚さ : コネクタ接点部 0.3 ± 0.03)
: シールド部 0.44 ± 0.05)
(THICKNESS : CONTACT AREA 0.3 ± 0.03)
SHIELD AREA 0.44 ± 0.05)

コネクタ接点部
CONTACT AREA
 シールド部
SHIELD AREA

THIS DRAWING CONTAINS INFORMATION THAT IS PROPRIETARY TO MOLEX ELECTRONIC TECHNOLOGIES, LLC AND SHOULD NOT BE USED WITHOUT WRITTEN PERMISSION									
DIMENSION UNITS		SCALE		CURRENT REV DESC:					
mm		1:1		molex 0.5 FFC TO BOARD CONN REC. HSG ASSY(RA) PRODUCT CUSTOMER DRAWING EC NO: 640427 DRWN: NINOUE01 2020/06/29 CHK'D: HSHIMOYAMA 2020/07/01 APPR: SHOSHIKAWA 2020/07/01 INITIAL REVISION: DRWN: KMKERUR 2016/02/24 APPR: NUKITA 2016/04/27 DOCUMENT NUMBER: 5018641002 DOC TYPE: PSD DOC PART: 000 REVISION: C MATERIAL NUMBER: 501864 CUSTOMER: GENERAL MARKET SHEET NUMBER: 2 OF 3					
GENERAL TOLERANCES (UNLESS SPECIFIED)									
ANGULAR TOL $\pm 1.0^\circ$									
4 PLACES \pm		± 0.2							
3 PLACES \pm		± 0.2							
2 PLACES \pm		± 0.2							
1 PLACE \pm		± 0.2							
0 PLACES \pm		± 0.2							
DRAFT WHERE APPLICABLE MUST REMAIN WITHIN DIMENSIONS				THIRD ANGLE PROJECTION		DRAWING		SERIES	
						A3-SIZE		501864	

注記
NOTE

1. 使用材料 MATERIAL

ハウジング : 液晶ポリマー (L C P) , ガラス充填 ,
HOUSING UL94V-0 色 : 黒色
LIQUID CRYSTAL POLYMER(LCP),
GLASS FILLED,UL94V-0 COLOR:BLACK

ターミナル : 燐青銅 (t = 0.18)
TERMINAL PHOSPHOR BRONZE(t=0.18)

メッキ仕様
PLATING

接点部 : 金メッキ 0.1マイクロメートル以上
CONTACT AREA : GOLD 0.1 MICROMETER MINIMUM
半田付け部 : 金メッキ 0.05マイクロメートル以上
SOLDER TAIL AREA : GOLD 0.05 MICROMETER MINIMUM
下地メッキ : ニッケルメッキ 1.0マイクロメートル以上
UNDER PLATING : NICKEL 1.0 MICROMETER MINIMUM

金具 : 燐青銅 (t = 0.25)
FITTING NAIL PHOSPHOR BRONZE(t=0.25)
錫メッキ 1.0マイクロメートル以上
TIN 1.0MICROMETER MINIMUM
下地メッキ : ニッケルメッキ 1.0マイクロメートル以上
UNDER PLATING : NICKEL 1.0 MICROMETER MINIMUM

グラウンド端子 : 燐青銅 (t = 0.15)
GROUND TERMINAL PHOSPHOR BRONZE(t=0.15)
錫メッキ 1.0マイクロメートル以上
TIN 1.0MICROMETER MINIMUM
下地メッキ : ニッケルメッキ 1.0マイクロメートル以上
UNDER PLATING : NICKEL 1.0 MICROMETER MINIMUM

△₂ N = 偶数に適用 (N : 極数)
APPLY FOR N=EVEN(N:CIRCUIT)

△₃ パターン剥離止め用金具
FITTING NAIL FOR PREVENTION OF PEELING
OF P.C.B PATTERN.

△₄ <30極品>
適合ジャケット : 5017833009
製品詳細寸法は5017832000 DOC.PART 001を参照下さい。
<40極品>
適合ジャケット : 5017834009
製品詳細寸法は5017832000 DOC.PART 001を参照下さい。
<50極品>
適合ジャケット : 5031505009
製品詳細寸法は5031502000 DOC.PART 000を参照下さい。
<30CKT>
APPLICABLE JACKET:5017833009.
RE DETAILED DIMENSION,SEE 5017832000 DOC.PART 001.
<40CKT>
APPLICABLE JACKET:5017834009.
RE DETAILED DIMENSION,SEE 5017832000 DOC.PART 001.
<50CKT>
APPLICABLE JACKET:5031505009.
RE DETAILED DIMENSION,SEE 5031502000 DOC.PART 000.

△₅ <30極品>
適合ジャケットカバー : 5017843008
製品詳細寸法は5017842001 DOC.PART 000を参照下さい。
<40極品>
適合ジャケットカバー : 5017844008
製品詳細寸法は5017842001 DOC.PART 000を参照下さい。
<50極品>
適合ジャケットカバー : 5031515009
製品詳細寸法は5031512000 DOC.PART 000を参照下さい。
<30CKT>
APPLICABLE JACKET:5017843008.
RE DETAILED DIMENSION,SEE 5017842001 DOC.PART 000.
<40CKT>
APPLICABLE JACKET:5017844008.
RE DETAILED DIMENSION,SEE 5017842001 DOC.PART 000.
<50CKT>
APPLICABLE JACKET:5031515009.
RE DETAILED DIMENSION,SEE 5031512000 DOC.PART 000.

6. ELV及びRoHS適合品
ELV AND RoHS COMPLIANT

THIS DRAWING CONTAINS INFORMATION THAT IS PROPRIETARY TO MOLEX ELECTRONIC TECHNOLOGIES, LLC AND SHOULD NOT BE USED WITHOUT WRITTEN PERMISSION												
DIMENSION UNITS		SCALE		CURRENT REV DESC:				molex				
mm		1:1										
GENERAL TOLERANCES (UNLESS SPECIFIED)				EC NO: 640427 DRWN: NINOUE01 2020/06/29 CHK'D: HSHIMOYAMA 2020/07/01 APPR: SHOSHIKAWA 2020/07/01 INITIAL REVISION: DRWN: KMKERUR 2016/02/24 APPR: NUKITA 2016/04/27				0.5 FFC TO BOARD CONN REC. HSG ASSY(RA)				
ANGULAR TOL ± 1.0 °								PRODUCT CUSTOMER DRAWING				
4 PLACES ±		0.2						DOCUMENT NUMBER		DOC TYPE	DOC PART	REVISION
3 PLACES ±		0.2						5018641002		PSD	000	C
2 PLACES ±		0.2						MATERIAL NUMBER		CUSTOMER		SHEET NUMBER
1 PLACE ±		0.2		A3-SIZE		GENERAL MARKET		3 OF 3				
0 PLACES ±		0.2		SERIES								
DRAFT WHERE APPLICABLE MUST REMAIN WITHIN DIMENSIONS				THIRD ANGLE PROJECTION								

DOCUMENT STATUS	P1	RELEASE DATE	2020/07/01	10:09:49
-----------------	----	--------------	------------	----------