

THIS DRAWING IS UNPUBLISHED.

RELEASED FOR PUBLICATION

20

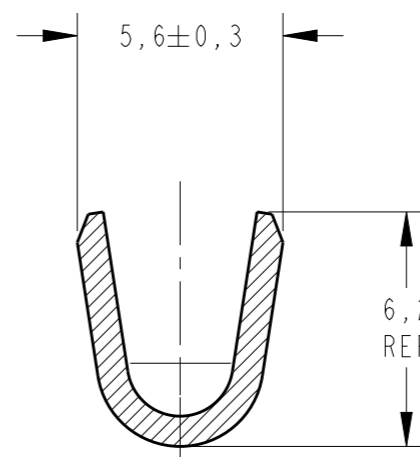
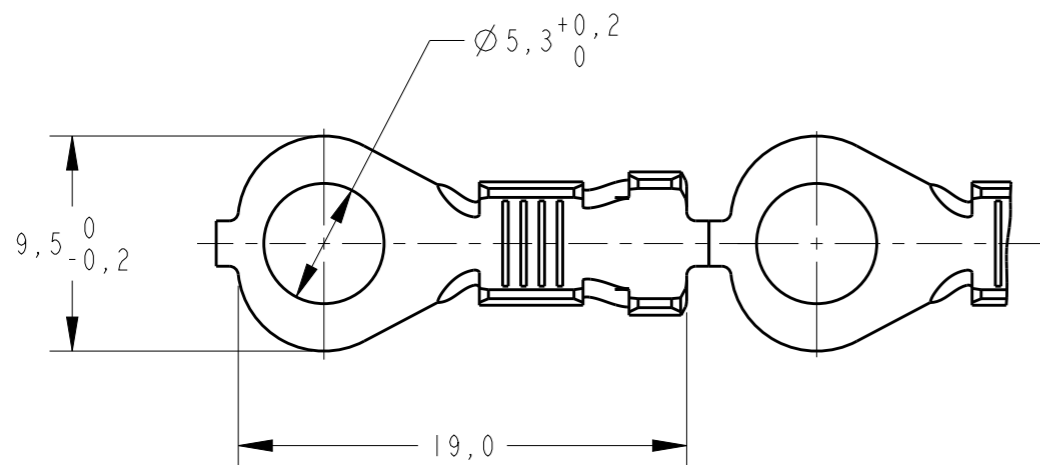
© COPYRIGHT 20 BY - ALL RIGHTS RESERVED.

LOC  
AP

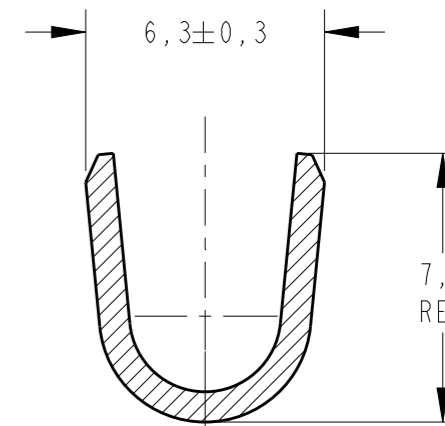
DIST  
-

REVISIONS

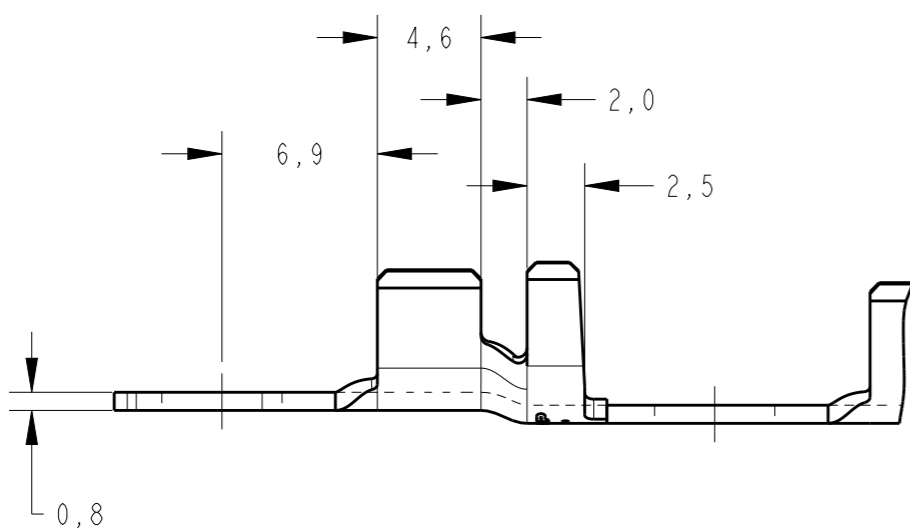
P	LTR	DESCRIPTION	DATE	DWN	APVD
	E2	REDRAW AND REVISED ECO-13-015672	08OCT2013	HC	WLS



SECTION A-A  
SCALE 5:1



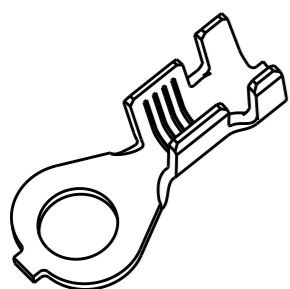
SECTION B-B  
SCALE 5:1




△1 - BOBINAR COM PAPEL INTERCALADO  
- REELING WITH PAPER INTERLEAVE

△2 - OBSOLETE PARTS: OBSOLETE CIS STREAMLINING PER RENAUD/D.SINISI

INSUL RANGE	WIRE RANGE	FINISH	MATERIAL	PART NO
△2 OBSOLETE	3,2-5,3mm	4,0-6,0mm <sup>2</sup>	BRONZE	△1 626036-4
	3,2-5,3mm	4,0-6,0mm <sup>2</sup>	ESTANHADO / TIN PLATED LATÃO / BRASS	△1 626036-3
	3,2-5,3mm	4,0-6,0mm <sup>2</sup>	ESTANHADO / TIN PLATED LATÃO / BRASS	626036-2
	3,2-5,3mm	4,0-6,0mm <sup>2</sup>	LATÃO / BRASS	△1 626036-1



PERSPECTIVE VIEW  
SCALE 2:1

THIS DRAWING IS A CONTROLLED DOCUMENT.		DWN H.CANTERI 08OCT2013	 TE Connectivity	
DIMENSIONS: mm		CHK W.L.STEFANI 08OCT2013		
TOLERANCES UNLESS OTHERWISE SPECIFIED:		APVD -	NAME RING TONGUE	
0 PLC ±-		PRODUCT SPEC -	APPLICATION SPEC -	
1 PLC ±0,3		WEIGHT -	SIZE A3	CAGE CODE 00779
2 PLC ±-		Customer Drawing	DRAWING NO C-626036	RESTRICTED TO -
3 PLC ±-			SCALE 3:1	SHEET 1
4 PLC ±-				REV E2
ANGLES ±1°				
FINISH SEE TABLE				