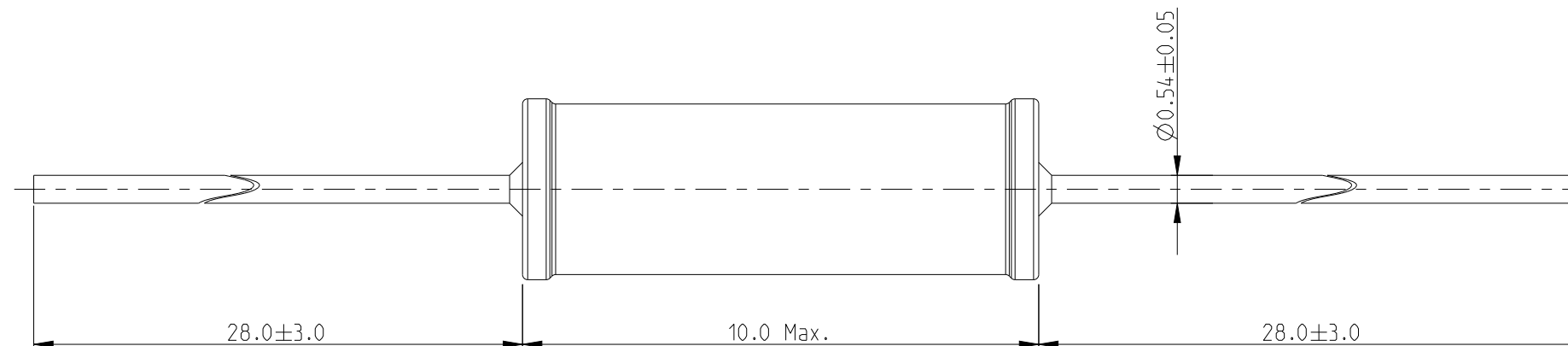
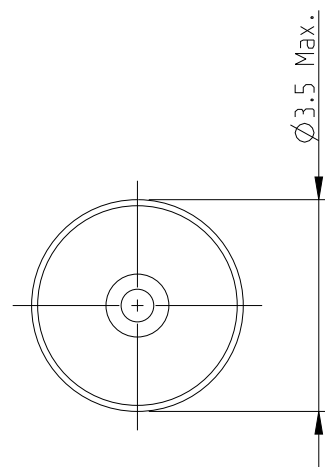


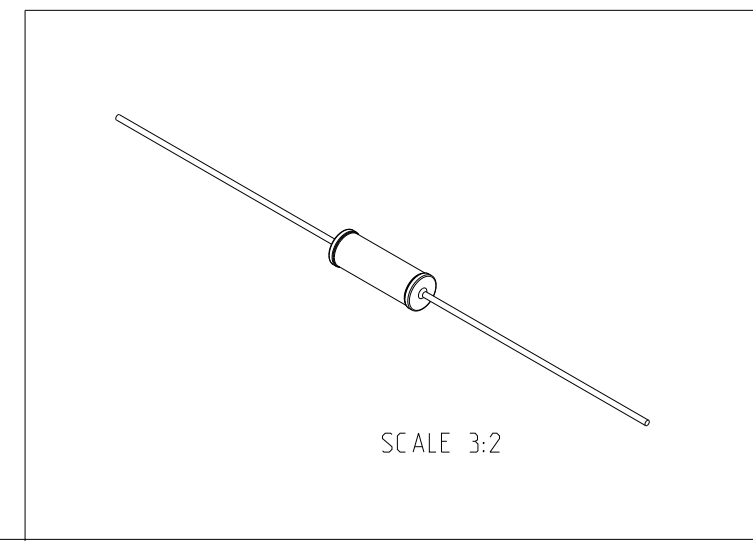
REVISIONS

P	LTR	DESCRIPTION	DATE	DWN	APVD
	BA	NEW RELEASE	23-MAR-10	MRS	St.P
	BB	CLARIFICATION OF DIMENSIONS	18JAN2023	DM	AP

FOR FURTHER INFORMATION SEE DATA SHEET FOR SERIES LR, METAL FILM FIXED RESISTORS



RoHS Compliant



THIS DRAWING IS A CONTROLLED DOCUMENT.		DWN MAHARUDRA 23-MAR-10		
DIMENSIONS: mm		CHK ALLAN.P 23-MAR-10		
		APVD STEPHEN.P 23-MAR-10		
TOLERANCES UNLESS OTHERWISE SPECIFIED:		PRODUCT SPEC	NAME METAL FILM FIXED RESISTORS SERIES LR2	
0 PLC ±0.2	1 PLC ±0.1	APPLICATION SPEC	SIZE A3	CAGE CODE 00779
2 PLC ±	3 PLC ±	WEIGHT	DRAWING NO C=1622722	RESTRICTED TO
4 PLC ±	ANGLES ±5°	CUSTOMER DRAWING	SCALE 8:1	SHEET 1 OF 1
MATERIAL	FINISH			REV BB