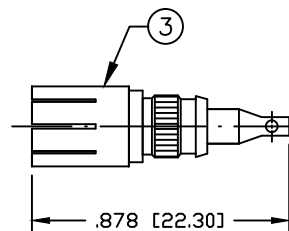
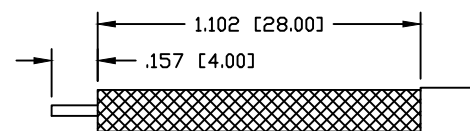
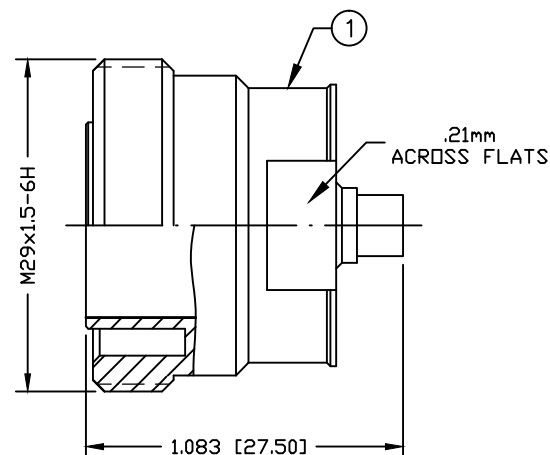
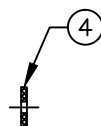


PART NO.

RFD-1625-SR2

REV	DESCRIPTION	DWN	DATE	APPROVED
-	ENGINEERING RELEASE	CZS	08/08/16	JDMc

SOLDER ONLYRECOMMENDED STRIPPING DIMENSIONS**SPECIFICATIONS:**

INTERFACE: IEC61169-4
 IMPEDANCE: 50 Ohms
 FREQUENCY RANGE: 0-3 GHz
 VSWR: <1.15:1
 3rd ORDER IM: ≤-155 dBc
 TEMPERATURE RANGE: -40°C TO 165°C
 FOR .141 SEMI RIGID, RG-402/U & BELDEN 1673A CABLE

#	DESCRIPTION	QTY	MATERIAL	FINISH
5	TUBING (NOT SHOWN)	1	HEAT SHRINK	----
4	SPACER	1	PTFE	----
3	CONTACT	1	BeCu	SILVER
2	INSULATOR	1	PTFE	----
1	BODY	1	BRASS	WHITE BRONZE

CUSTOMER
OUTLINE DRAWINGALL DIMENSIONS
ARE REFERENCE ONLYUNLESS OTHERWISE SPECIFIED:
DIMENSIONS ARE IN INCHES
AND [MILLIMETERS]DRAWN
C. ZUNIGA 08/08/16

CHECKED

ORJ DRAWN
C. ZUNIGA 08/08/16**RoHS
COMPLIANT**

PROPRIETARY AND CONFIDENTIAL
 THIS DRAWING CONTAINS
 INFORMATION PROPRIETARY TO
 RF INDUSTRIES, ANY
 UNAUTHORIZED USE OF THIS
 DRAWING IS EXPRESSLY
 PROHIBITED WITHOUT WRITTEN
 PERMISSION FROM RF
 INDUSTRIES. ANY VIOLATION IS
 PUNISHABLE UNDER U.S.
 COPYRIGHT LAWS.

RFconnectors7610 MIRAMAR RD.
SAN DIEGO, CA 92126
(858) 549-6340
DIVISION OF RF INDUSTRIES, LTD. (858) 549-6345 FAX**DIN FEMALE**

DIRECT SOLDER FOR .141 SEMI-RIGID

SIZE	CABLE GROUP	DWG NO.	REV
A	SR2	RFD-1625-SR2	—
SCALE:	ENGINEERING ID:	SHEET 1 OF 1	
NTS	000000		