

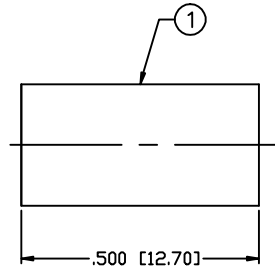
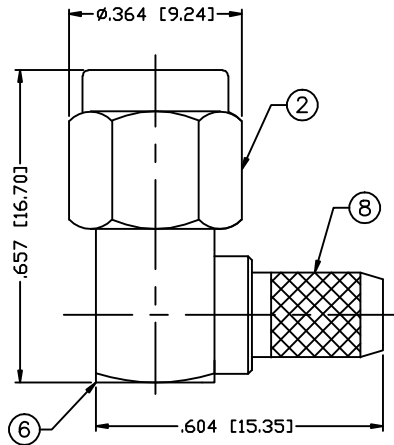
THIS DRAWING CONTAINS INFORMATION PROPRIETARY TO RF INDUSTRIES,
 ANY UNAUTHORIZED USE OF THIS DRAWING IS EXPRESSLY PROHIBITED
 WITHOUT WRITTEN PERMISSION FROM RF INDUSTRIES.
 ANY VIOLATION IS PUNISHABLE UNDER U.S. COPYRIGHT LAWS.

ALL DIMENSIONS ARE REFERENCE ONLY

PART NO.

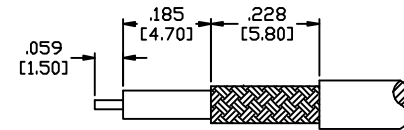
RP-3010-1C1

REV	DESCRIPTION	DWN	DATE	APPROVED
-	ENGINEERING RELEASE	GGG	4/13/00	JDMc
A	CHANGE TO PRESS FIT AND ADDED INSULATOR CAP	JDM	3/8/16	JDMc



RECOMMENDED CRIMP DIE: .213"

CRIMP TOOL RFA-4005-20 / DIE RFA-4005-01



RECOMMENDED STRIPPING DIMENSIONS
 ATTACH CABLE TO CONNECTOR BY
 SOLDERING THE CABLE INNER CONDUCTOR
 TO THE PIN SLOT INSIDE THE CONNECTOR

SPECIFICATIONS:

IMPEDANCE: 50 Ohms
 FREQUENCY RANGE: 0-12.4 GHz
 WORKING VOLTAGE: 500 V rms Max. @ Sea Level
 INSULATION RESISTANCE: 5k M Ohms min.
 TEMPERATURE RANGE: -65°C TO 85°C
 FOR RG-55, 55A, 55B, 142, 142A, 142B, 223/U & 400/U,
 ALPHA 9055, 9055B, 9223, BELDEN 8219, 83242, 84142, & 9907

1	FERRULE	1	BRASS	GOLD, 3μ"
2	SHELL	1	BRASS	GOLD, 3μ"
3	INSULATOR	1	PTFE	----
4	GASKET	1	SILICONE	----
5	WASHER	1	SST	----
6	BODY	1	BRASS	GOLD, 3μ"
7	PIN	1	Be-Cu	GOLD, 50μ"
8	FERRULE STUD	1	BRASS	GOLD, 3μ"
9	PRESS FIT CAP	1	BRASS	GOLD, 3μ"
10	INSULATOR	1	PTFE	NATURAL
11				
12				
13				
14				

007777	
DRAWN	JDM
CHECKED	
ORJ DRAWN	G. GALLEGOS
DATE	4/5/02
APPROVALS	3/8/16

UNLESS OTHERWISE SPECIFIED:
 1. REMOVE ALL BURRS
 2. BREAK ALL CORNERS & EDGES .005 R. MAX.
 3. CHAMFER 1ST & LAST THREADS 45°
 4. SURFACE ROUGHNESS 63 FINISH MIL-STD-10
 5. DIAMETERS ON COMMON CENTERS TO BE CONCENTRIC WITHIN .002 T.I.R.
 6. ALL DIMENSIONS ARE AFTER PLATING.

DIMENSIONS ARE IN INCHES AND [MILLIMETERS]
 UNLESS OTHERWISE NOTED TOLERANCES ARE:
 DECIMALS .XXX±.003 [.08]
 .XX±.005 [.13]
 DIAMETER .XXX±.001 [.03]
 .XX±.003 [.08]

RFconnectors
 DIVISION OF RF INDUSTRIES, LTD.

7610 MIRAMAR RD
 SAN DIEGO, CA 92126
 (858) 549-6340
 (858) 549-6345 FAX

SMA PLUG, CRIMP

REVERSE POLARITY, RIGHT ANGLE

SIZE	CABLE GROUP	DWG NO.	REV
A	C1	RP-3010-1C1	A
SCALE:	NTS	CAD FILE	OUTLINE
SHEET			1 OF 1