

Product Specifications Approval Sheet

Product Description: SAW Filter 836.5 MHz (BW 25MHz) SMD 1.4X1.1 mm

TST Part No.: TA2629A

Customer Part No.: _____

Customer signature required
Company: _____
Division: _____
Approved by : _____
Date: _____

Checked by: _____ Michael Yang *Michael*

Approval by: _____ Kazuma Lee *Kazuma Lee*

Date: _____ 2022/09/05

1. Customer signed back is required before TST can proceed with sample build and receive orders.
2. Orders received without customer signed back will be regarded as agreement on the specifications.
3. Any specifications changes must be approved upon by both parties and a new revision of specifications shall be released to reflect the changes.



TAI-SAW TECHNOLOGY CO., LTD.

No. 3, Industrial 2nd Rd., Ping-Chen Industrial District,
Taoyuan, 324, Taiwan, R.O.C.

TEL: 886-3-4690038 FAX: 886-3-4697532

E-mail: tstsales@mail.taisaw.com Web: www.taisaw.com

SAW Filter 836.5MHz(BW 25MHz)

MODEL NO.:TA2629A

REV. NO.:2.0

A. MAXIMUM RATING:

1. Input Power Level: 15 dBm
2. DC Voltage : 0V
3. Operating Temperature: -30°C to +85°C
4. Storage Temperature: -40°C to +85°C
5. Moisture Sensitivity Level: Level 3(MSL3)



Electrostatic Sensitive Device (ESD)

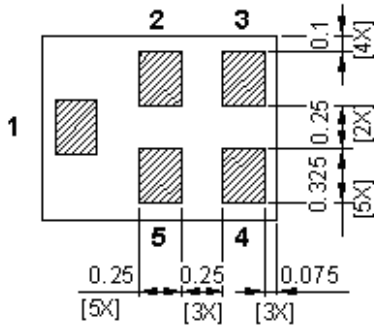
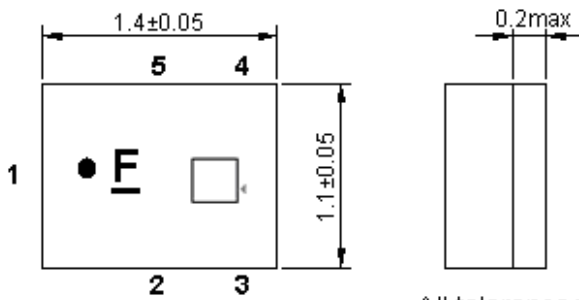
B. ELECTRICAL CHARACTERISTICS:

Terminating source impedance (single) : $Z_s = 50 \Omega$

Terminating load impedance(single) : $Z_L = 50 \Omega$

Item	Unit	Min	Type.	Max	Note
Center Frequency Fc	MHz	-	836.5	-	
Insertion Loss (824~849 MHz) IL	dB		1.9	2.6	
Amplitude ripple (824~849 MHz)			0.7	1.6	
VSWR (824~849 MHz)			1.8	2.3	
Attenuation					
DC ~ 750 MHz	dB	35	45		
750 ~ 800 MHz	dB	28	41		
859 ~ 869 MHz	dB	10	13		23 ~ 27°C
869 ~ 894 MHz	dB	25	30		
894 ~ 1050 MHz	dB	38	43		
1050 ~ 1210 MHz	dB	35	40		
1210 ~ 1580 MHz	dB	30	35		
1580 ~ 2000 MHz	dB	27	32		
2000 ~ 3000 MHz	dB	22	27		
3000 ~ 6000 MHz	dB	12	22		
Package size	mm	1411			

C.OUTLINE DRAWING:



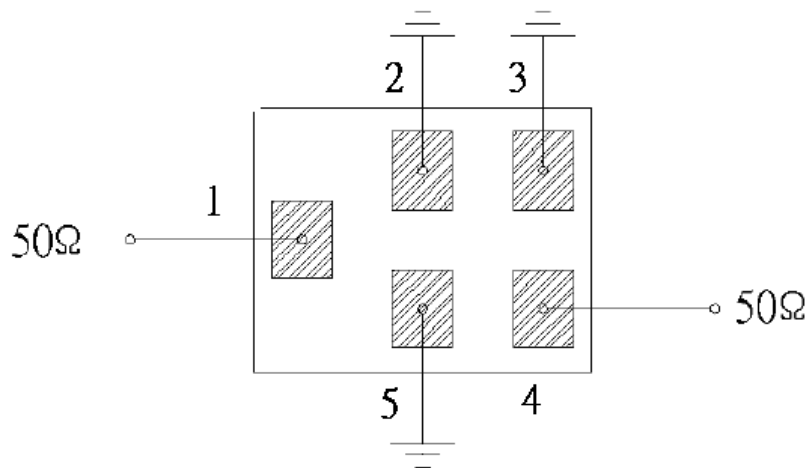
All tolerances are +/-0.05 mm unless otherwise specified
 Coplanarity : 0.1 mm max.
 1 to 5 : Pin No.
 Unit : mm

Pin No.↵	Symbol↵	Function↵
1↵	IN↵	Input↵
2↵	GND↵	Ground↵
3↵	GND↵	Ground↵
4↵	OUT↵	Output↵
5↵	GND↵	Ground↵

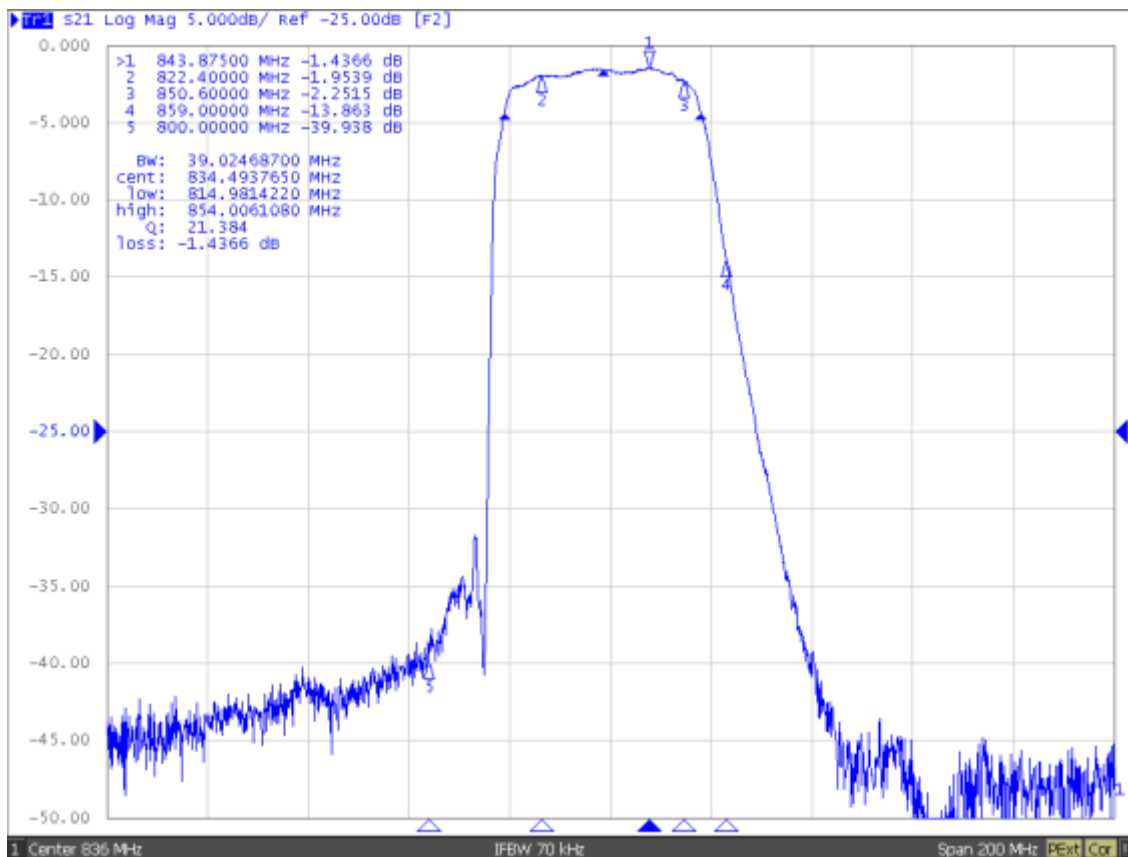
□ : Year/Month Code (Follow the table)

YEAR/Month	1	2	3	4	5	6	7	8	9	10	11	12
2021	A	B	C	D	E	F	G	H	J	K	L	M
2022	N	P	Q	R	S	T	U	V	W	X	Y	Z
2023	a	b	c	d	e	f	g	h	j	k	l	m
2024	n	p	q	r	s	t	u	v	w	x	y	z
2025	<u>A</u>	<u>B</u>	<u>C</u>	<u>D</u>	<u>E</u>	<u>F</u>	<u>G</u>	<u>H</u>	<u>J</u>	<u>K</u>	<u>L</u>	<u>M</u>
2026	<u>N</u>	<u>P</u>	<u>Q</u>	<u>R</u>	<u>S</u>	<u>T</u>	<u>U</u>	<u>V</u>	<u>W</u>	<u>X</u>	<u>Y</u>	<u>Z</u>
2027	<u>a</u>	<u>b</u>	<u>c</u>	<u>d</u>	<u>e</u>	<u>f</u>	<u>g</u>	<u>h</u>	<u>j</u>	<u>k</u>	<u>l</u>	<u>m</u>
2028	<u>n</u>	<u>p</u>	<u>q</u>	<u>r</u>	<u>s</u>	<u>t</u>	<u>u</u>	<u>v</u>	<u>w</u>	<u>x</u>	<u>y</u>	<u>z</u>

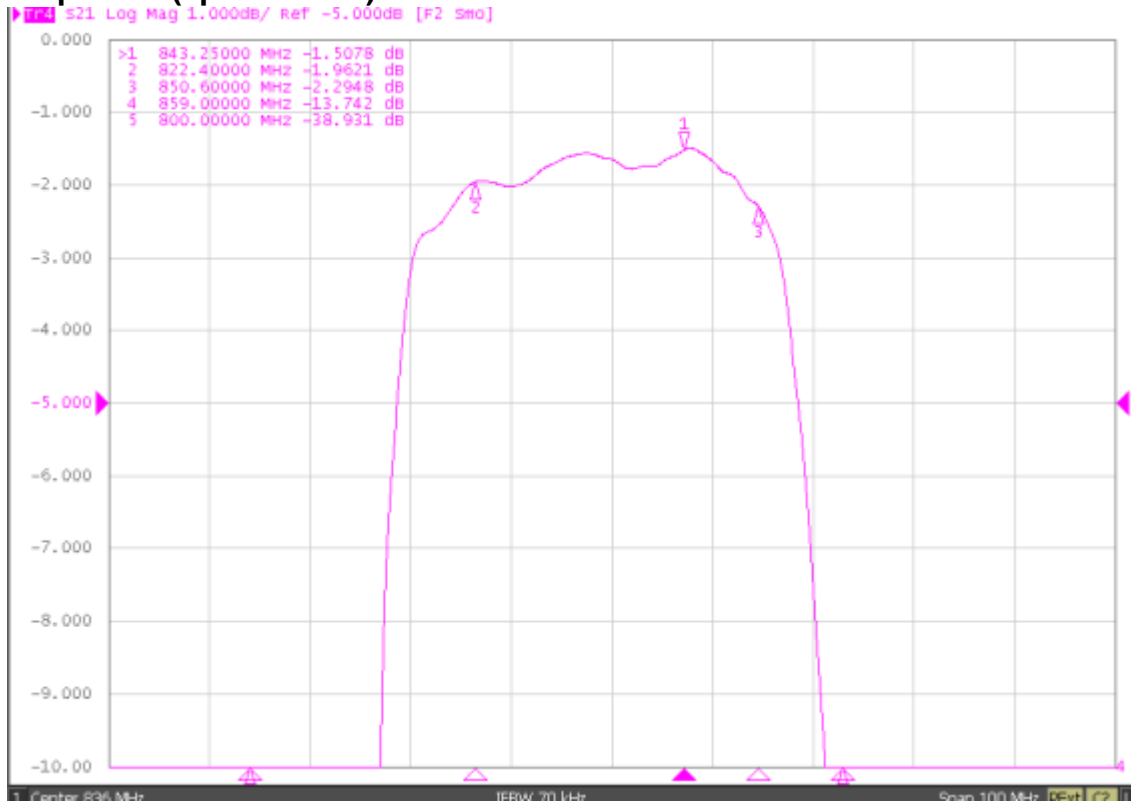
D. MEASUREMENT CIRCUIT:



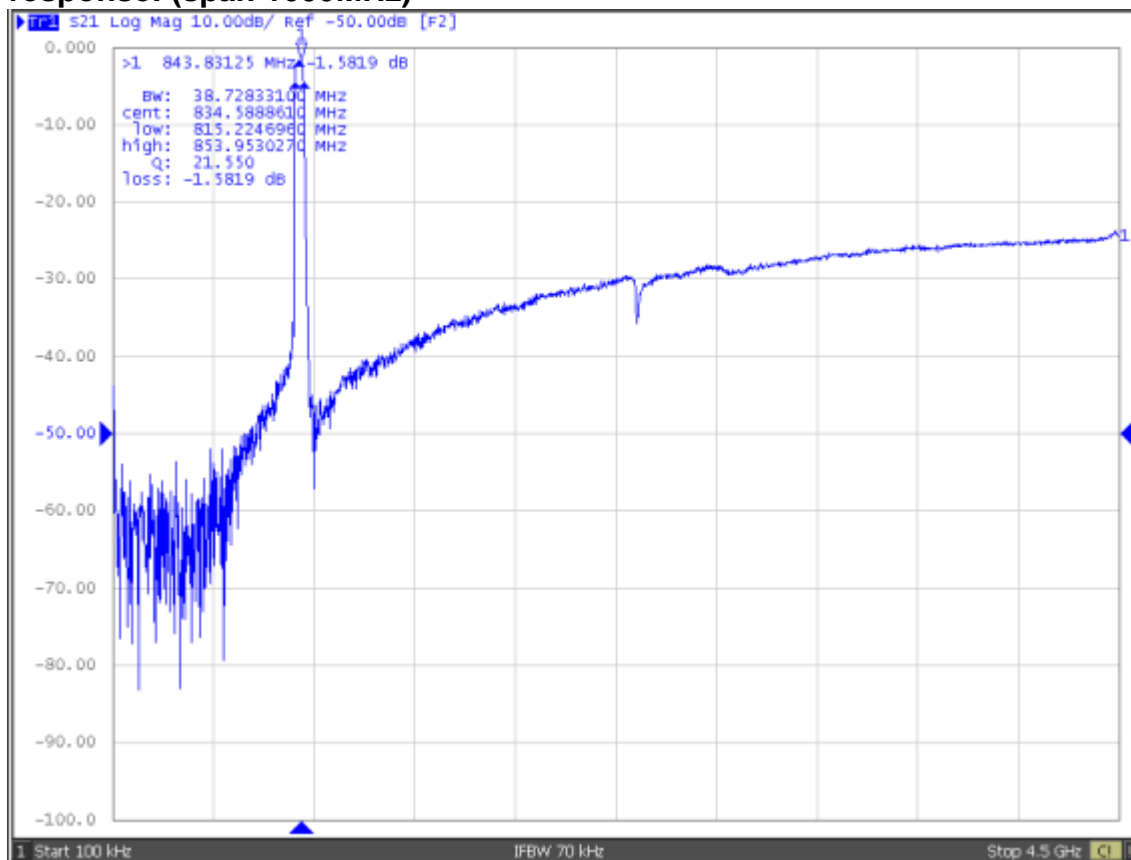
**E. Frequency Characteristics:
S21 response: (span 200MHz)**



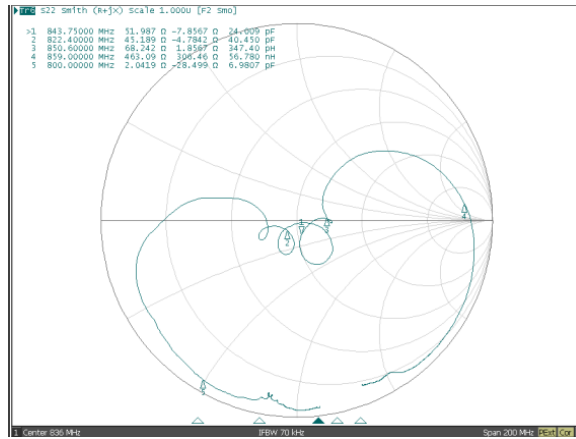
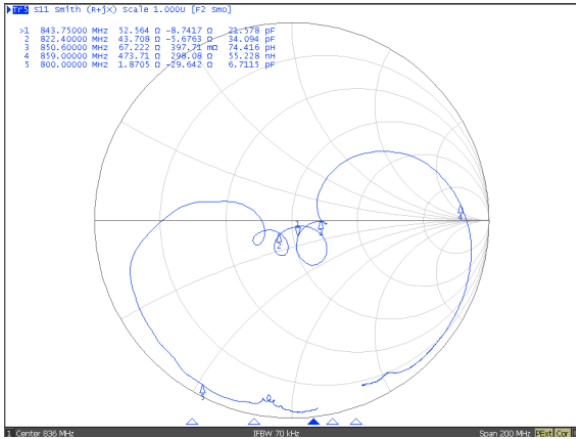
S21 response: (span 50MHz)



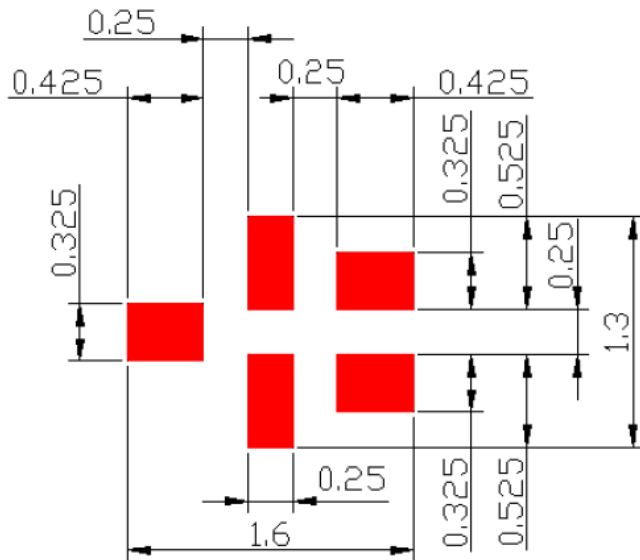
S21 response: (span 1600MHz)



S11/S22 :



F. PCB Footprint:

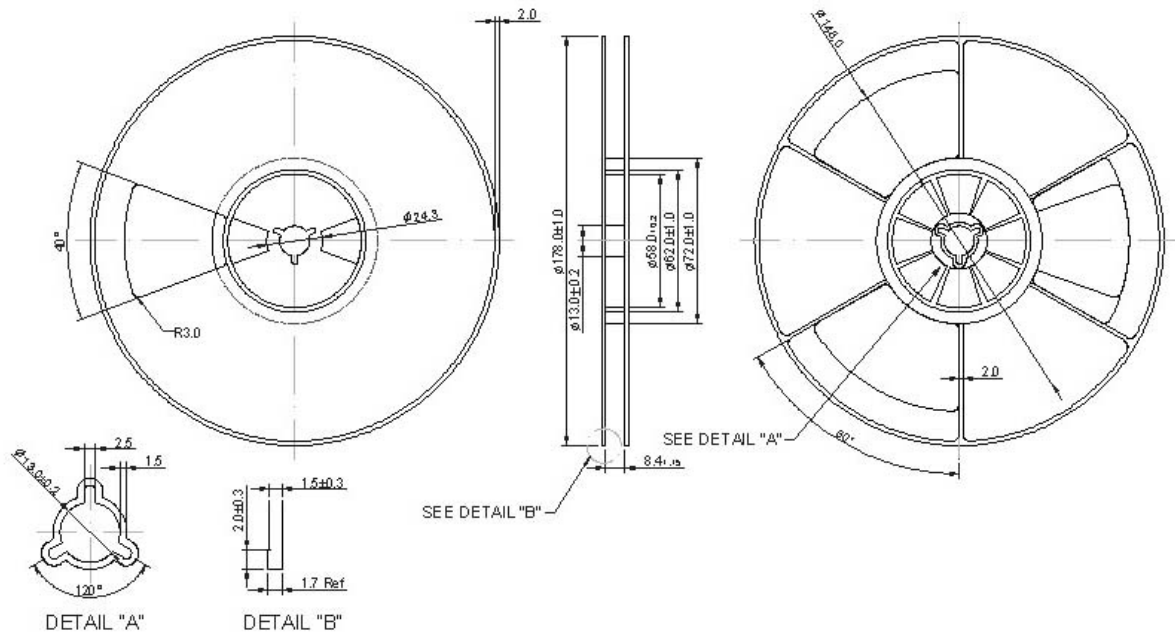


: Land Pattern

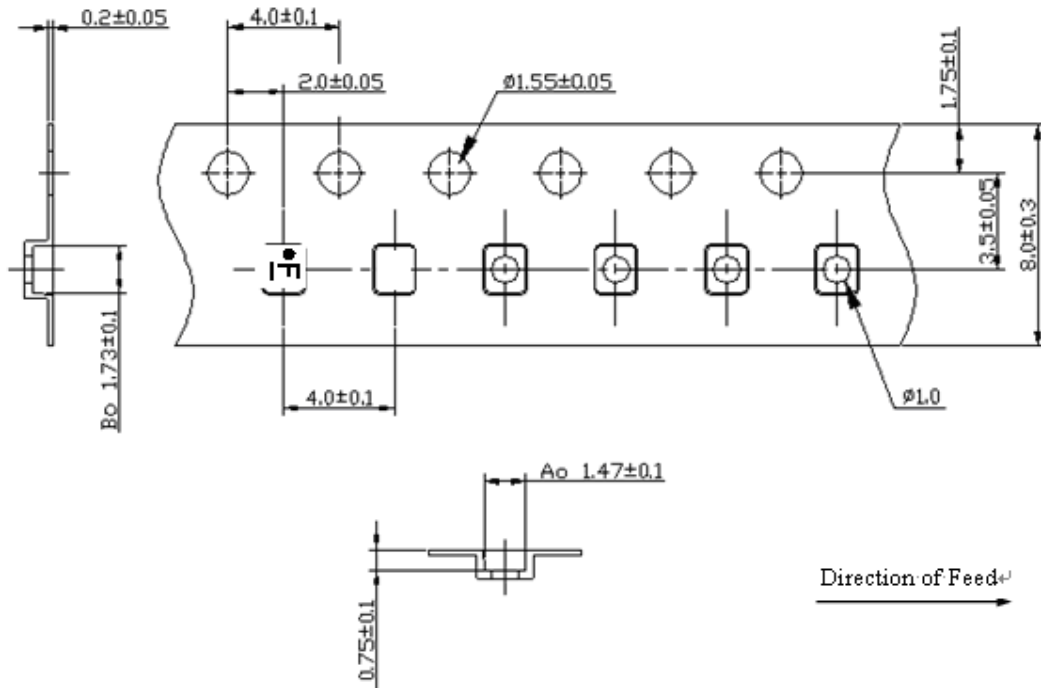
G. PACKING:

1. REEL DIMENSION

(Please refer to FR-75D10 for packing quantity)



2. TAPE DIMENSION



H. Recommended Reflow Profile:

1. Preheating shall be fixed at 150~180°C for 60~90 seconds.
2. Ascending time to preheating temperature 150°C shall be 30 seconds min.
3. Heating shall be fixed at 220°C for 50~80 seconds and at 260°C+0/-5°C peak (20~40sec).
4. Time: 2 times.

