



### Main

Range of Product	Telemecanique Cabling components
Accessory / separate part category	Cabling accessory
Accessory / Separate Part Type	Pre-wired connectors
Series name	General purpose

### Complementary

Electrical connection	Elbowed female connector M12, 5 pins (included earth pin)
Cable connector fixing	Screw-on
Collar material	Metal
Status LED	Without
Cable length	16.40 ft (5 m)
Cable outer diameter	0.23 in (5.9 mm)
Cable composition	5 x 0.34 mm <sup>2</sup>
Wire insulation material	PUR
[Ue] rated operational voltage	60 V AC 75 V DC
Line Rated Current	4 A
Contact resistance	5000 µOhm
Minimum insulating resistance	1 GΩ
Net Weight	0.60 lb(US) (0.27 kg)

### Environment

IP Degree of Protection	IP69K IP65 IP67
Product Certifications	cULus
Ambient air temperature for operation	-40...176 °F (-40...80 °C) static 23...176 °F (-5...80 °C) flexing
Ambient Air Temperature for Storage	-40...176 °F (-40...80 °C)

### Ordering and shipping details

Category	22483 - MACHINE CABLES
Discount Schedule	DS3
GTIN	3389110763140
Nbr. of units in pkg.	1
Package weight(Lbs)	6.63 oz (188 g)
Returnability	Yes
Country of origin	CZ

## Packing Units

Unit Type of Package 1	PCE
Package 1 Height	1.18 in (3 cm)
Package 1 width	7.87 in (20 cm)
Package 1 Length	7.87 in (20 cm)
Unit Type of Package 2	S02
Number of Units in Package 2	20
Package 2 Weight	8.68 lb(US) (3.939 kg)
Package 2 Height	5.91 in (15 cm)
Package 2 width	11.81 in (30 cm)
Package 2 Length	15.75 in (40 cm)
Unit Type of Package 3	P06
Number of Units in Package 3	320
Package 3 Weight	170.24 lb(US) (77.22 kg)
Package 3 Height	30.31 in (77 cm)
Package 3 width	23.62 in (60 cm)
Package 3 Length	31.50 in (80 cm)

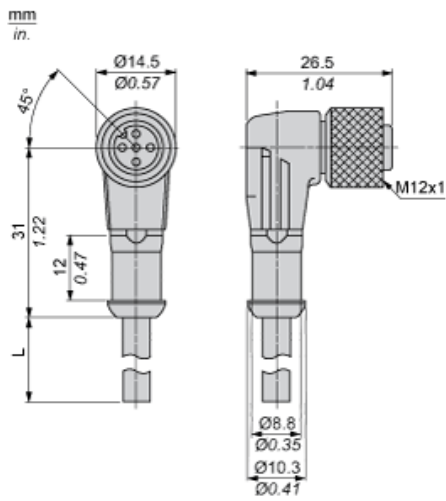
## Offer Sustainability

Sustainable offer status	Green Premium product
California proposition 65	WARNING: This product can expose you to chemicals including: Diisononyl phthalate (DINP), which is known to the State of California to cause cancer, and Di-isodecyl phthalate (DIDP), which is known to the State of California to cause birth defects or other reproductive harm. For more information go to <a href="http://www.P65Warnings.ca.gov">www.P65Warnings.ca.gov</a>
REACH Regulation	<a href="#">REACH Declaration</a>
EU RoHS Directive	Pro-active compliance (Product out of EU RoHS legal scope) <a href="#">EU RoHS Declaration</a>
Mercury free	Yes
RoHS exemption information	<a href="#">Yes</a>
Environmental Disclosure	<a href="#">Product Environmental Profile</a>
Circularity Profile	<a href="#">End Of Life Information</a>

## Contractual warranty

Warranty	18 months
----------	-----------

Dimensions



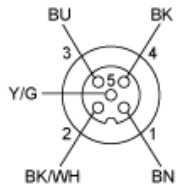
L : Length of cable

---

Connections and Schemes

---

Connectors



BU : Blue  
BN : Brown  
BK : Black  
Y/G : Yellow / Green  
BK/ Black / White  
WH :