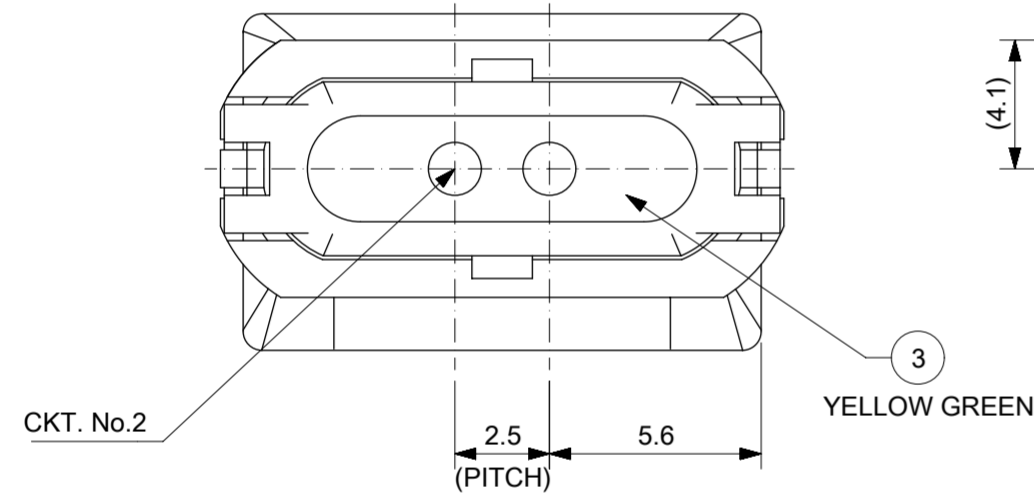
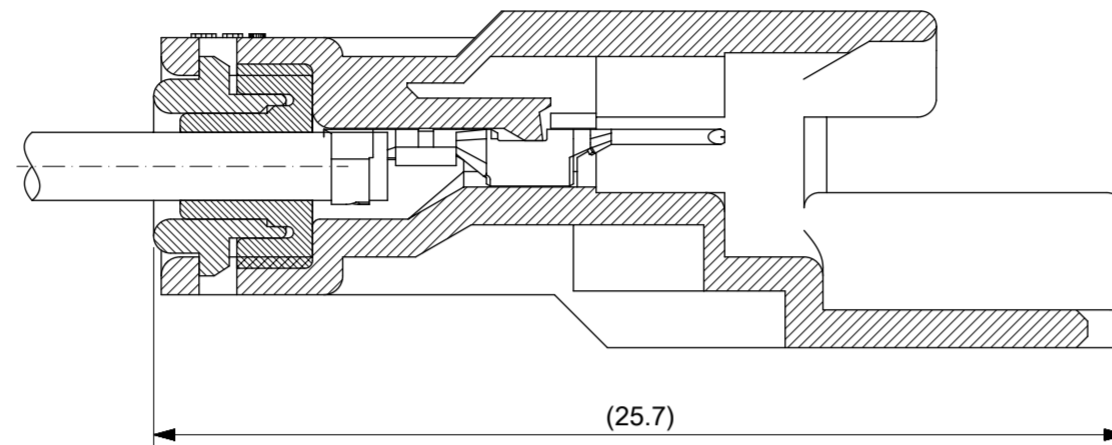


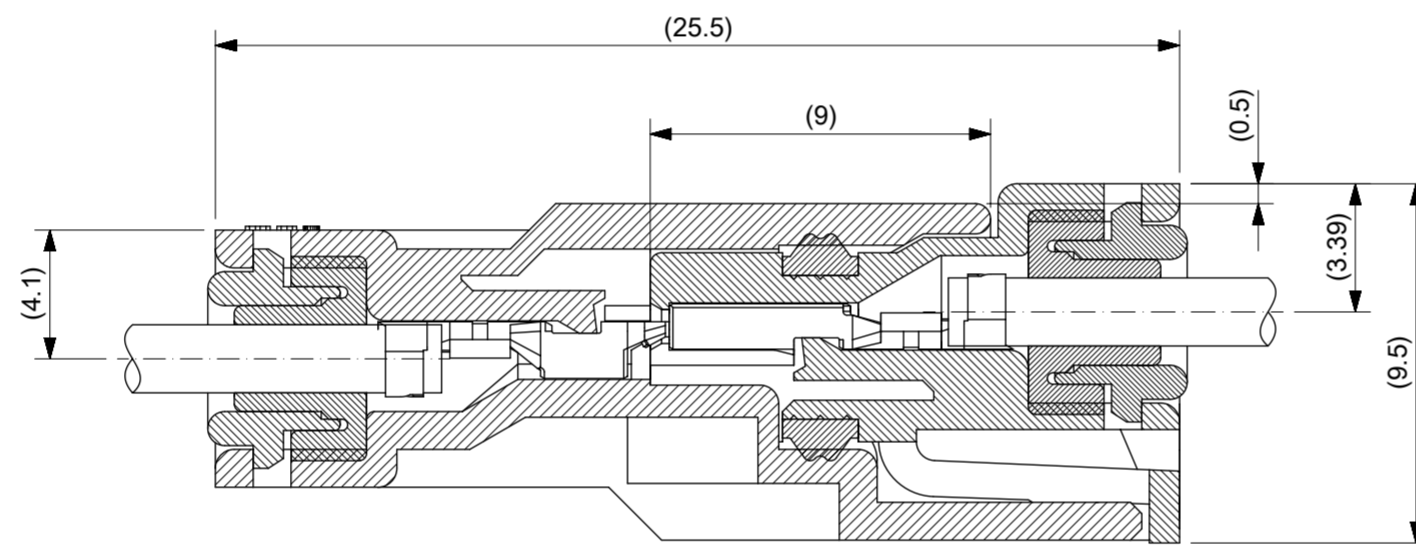
52116-0410, 52116-0411



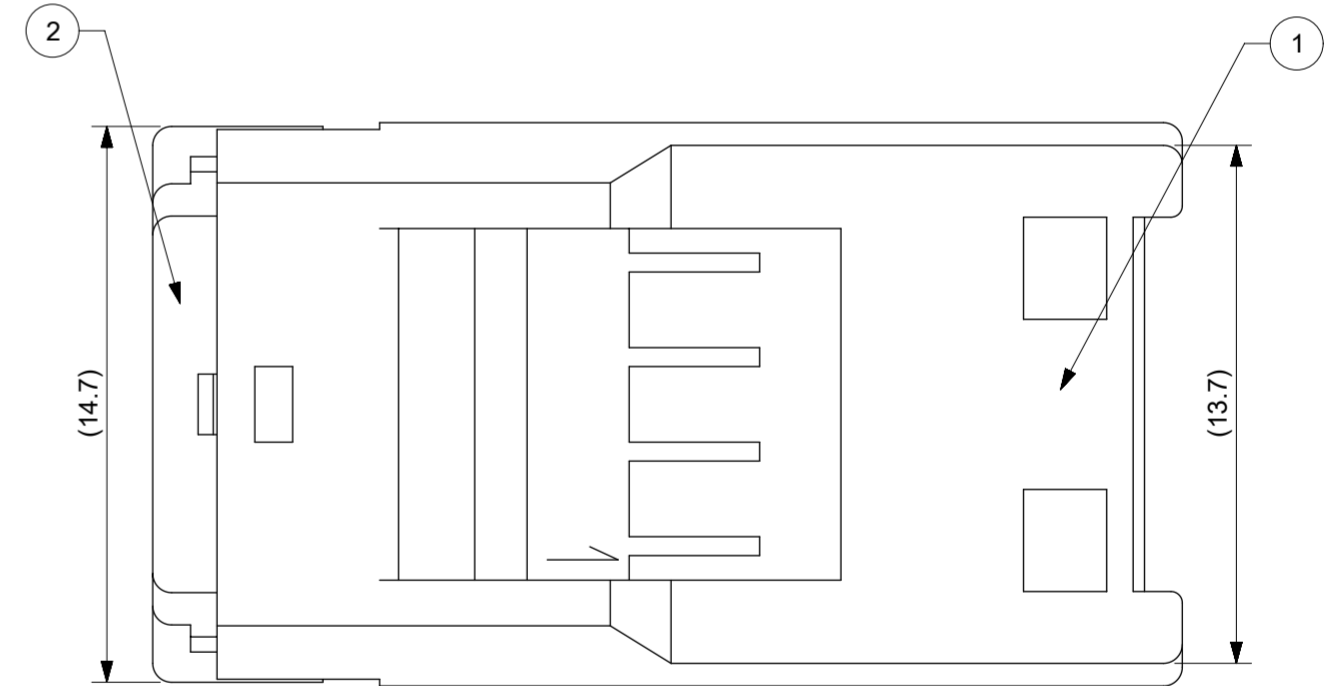
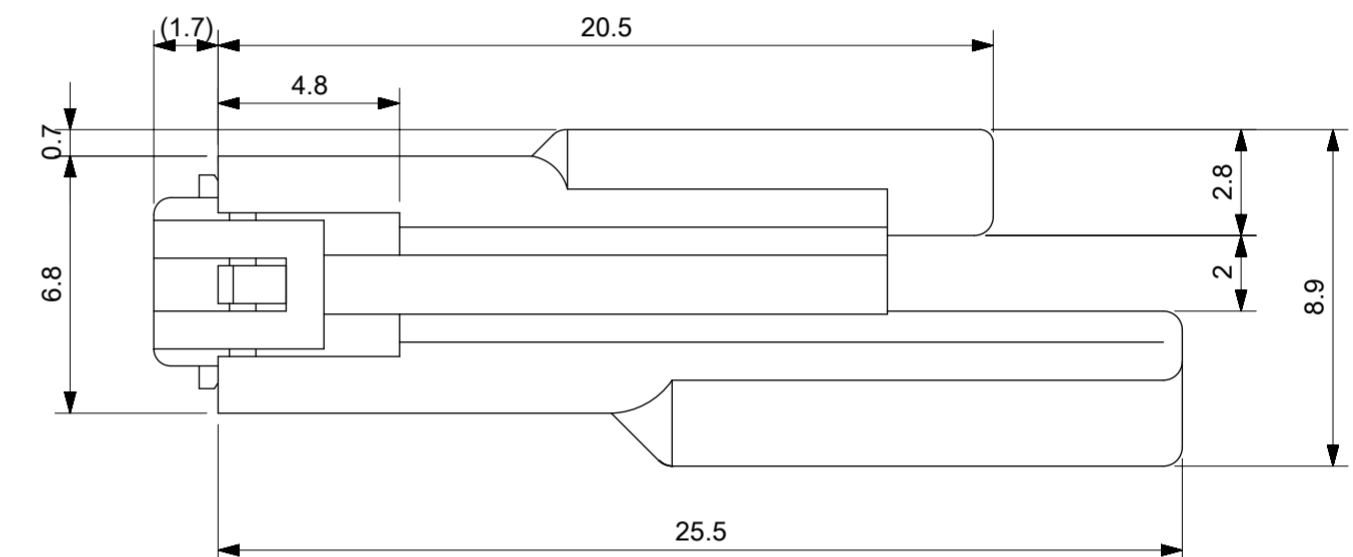
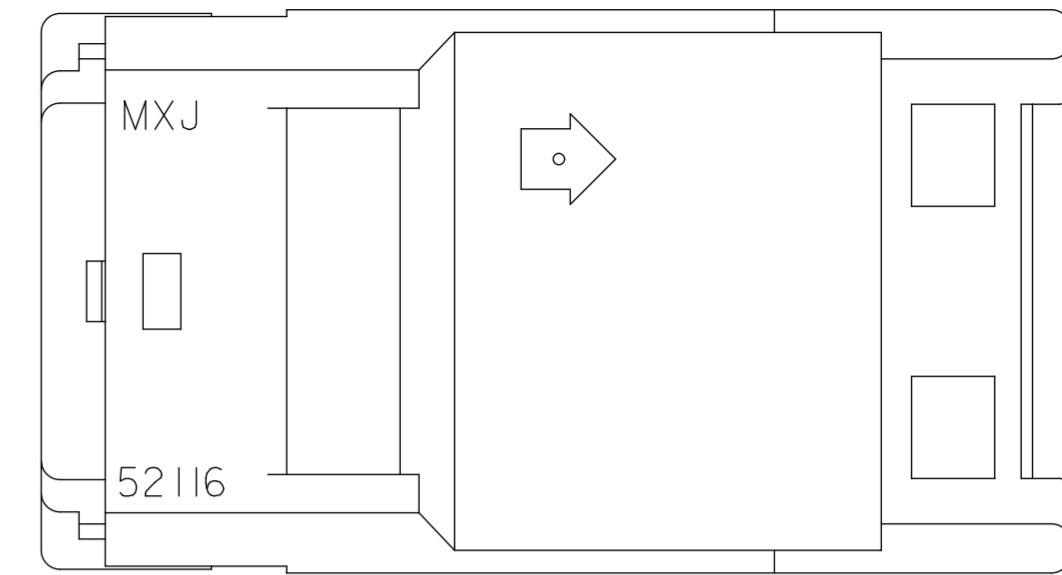
52116-0403



断面A-A (端子装着状態)  
SECTION A-A (TERM. ASSEMBLY DRAWING)



嵌合状態図  
FULLY MATED CONDITION



- 注記  
NOTE
- 適合端子 : 50038-8\*00  
APPLICABLE TERMINAL:50038-8\*00
  - 嵌合相手 : 52117-041\*  
MATES WITH:52117-041\*
  - 製品仕様書 : PS-52117-008  
PRODUCT SPECIFICATION:PS-52117-008
  - 取扱説明書 : AS-52117-001  
APPLICATION SPECIFICATION : AS-52117-001
  - ELV及びRoHS適合品  
ELV AND RoHS COMPLIANT

黒 BLACK	52116-0413	2
黒 BLACK	52116-0411	4
白 WHITE	52116-0410	4
色 COLOR	MATERIAL NO.	極数 CKT

THIS DRAWING CONTAINS INFORMATION THAT IS PROPRIETARY TO MOLEX ELECTRONIC TECHNOLOGIES, LLC AND SHOULD NOT BE USED WITHOUT WRITTEN PERMISSION

DIMENSION UNITS	SCALE	CURRENT REV DESC:
mm	5:1	
GENERAL TOLERANCES (UNLESS SPECIFIED)		EC NO: 174474
10 UNDER	±0.2	DRWN: RHORI 2018/04/02
10 OVER 30 UNDER	±0.25	CHK'D: HKOMATSU 2018/04/13
30 OVER	±0.3	APPR: TOSADA 2018/04/20
ANGULAR ±3 °		INITIAL REVISION:
1 PLACE ±		DRWN: SINAKA 2011/11/29
0 PLACES ±		APPR: MAYAMAMOTO 2012/01/18
DRAFT WHERE APPLICABLE MUST REMAIN WITHIN DIMENSIONS		THIRD ANGLE PROJECTION
		DRAWING SERIES
		A2-SIZE 52116

<b>molex</b>			
2.5 WATERPROOF CONN. PLUG HSG ASSY W/POSITIVE LOCK			
PRODUCT CUSTOMER DRAWING			
DOCUMENT NUMBER	DOC TYPE	DOC PART	REVISION
SD-52116-002	PSD	001	D4
MATERIAL NUMBER	CUSTOMER	SHEET NUMBER	
SEE CHART	GENERAL MARKET	1 OF 1	

GENERAL TOLERANCES (UNLESS SPECIFIED)		
10 UNDER	±0.2	
10 OVER 30 UNDER	±0.25	
30 OVER	±0.3	
ANGULAR ±3 °		
INITIAL REVISION:		
DRWN	Y.ASHIZAWA	1988/07/12
CHECK	M.SAKANO	1994/04/12
APPR	M.ENOMOTO	1994/04/12

シリコンゴム SILICONE	図参照 SEE DRAWING	ワイヤーエンドシール WIRE END SEAL	③
ポリエステル (15%G.F.) POLYESTER	表参照 SEE CHART	CAP	②
ポリエステル (15%G.F.) POLYESTER	表参照 SEE CHART	プラグハウジング PLUG HOUSING	①
材料 MATERIAL	色 COLOR	名称 TITLE	
構成部品 COMPONENTS			
DOCUMENT STATUS	P1	RELEASE DATE	2018/04/20 09:04:06