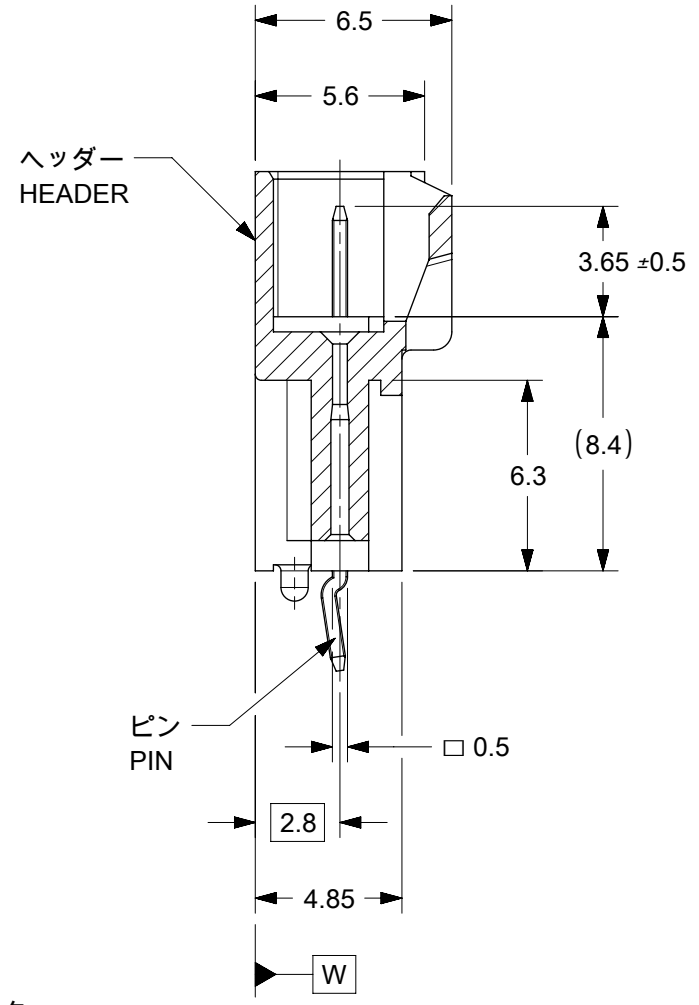
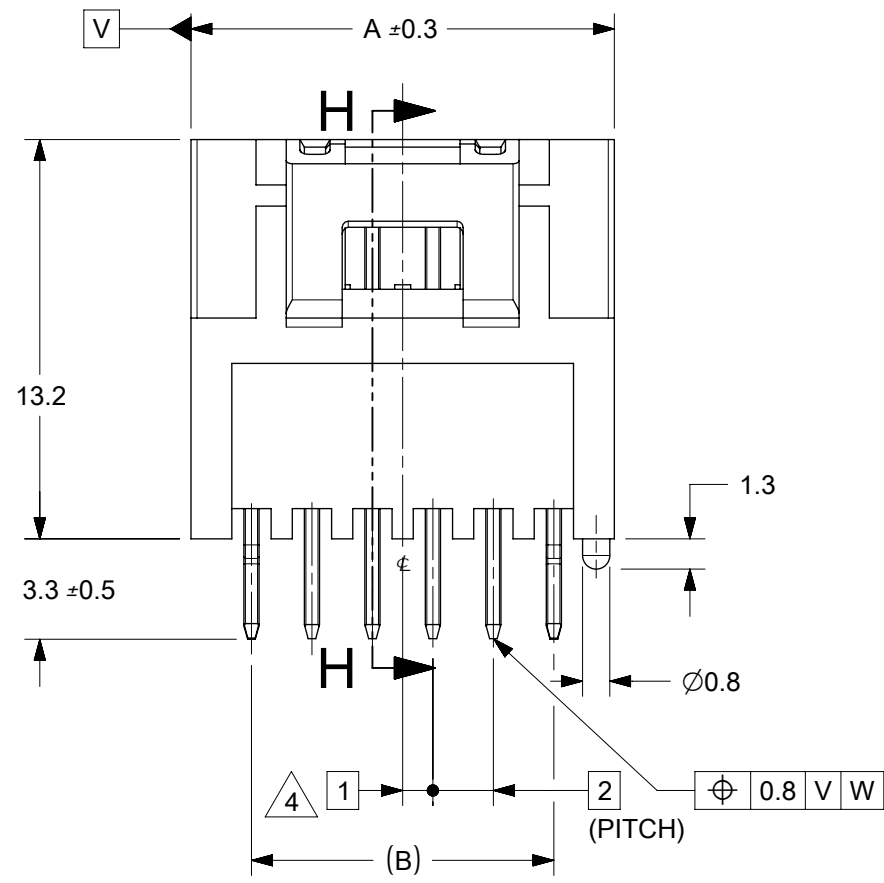
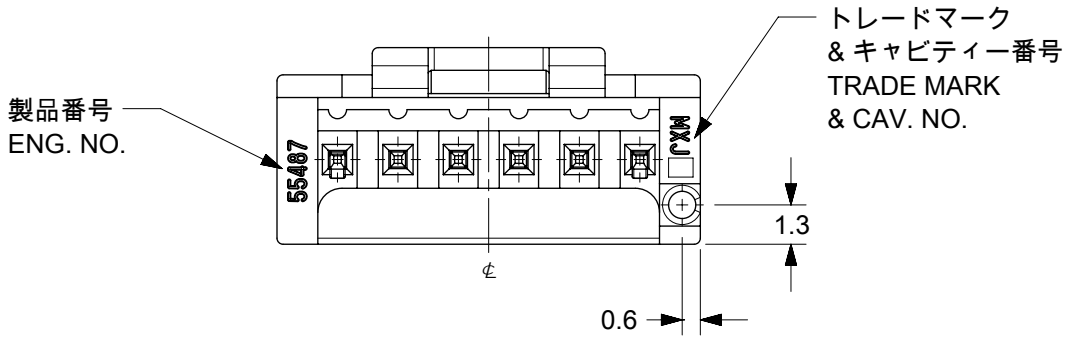


回路番号1
CKT. NO. 1



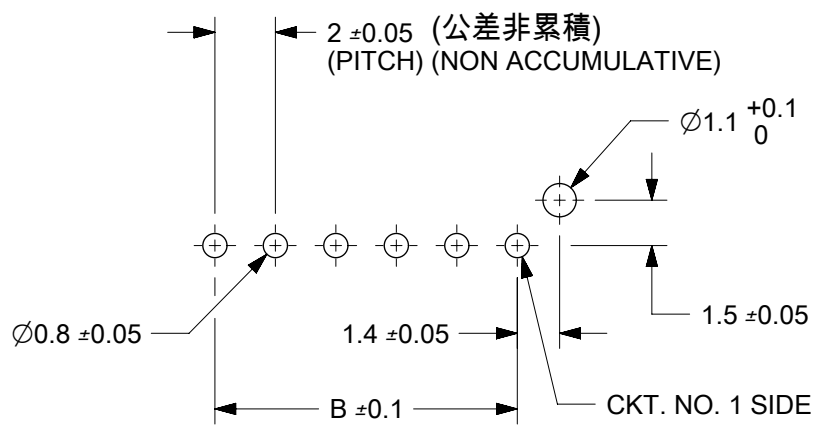
SECTION H-H



トレードマーク
& キャビティー番号
TRADE MARK
& CAV. NO.

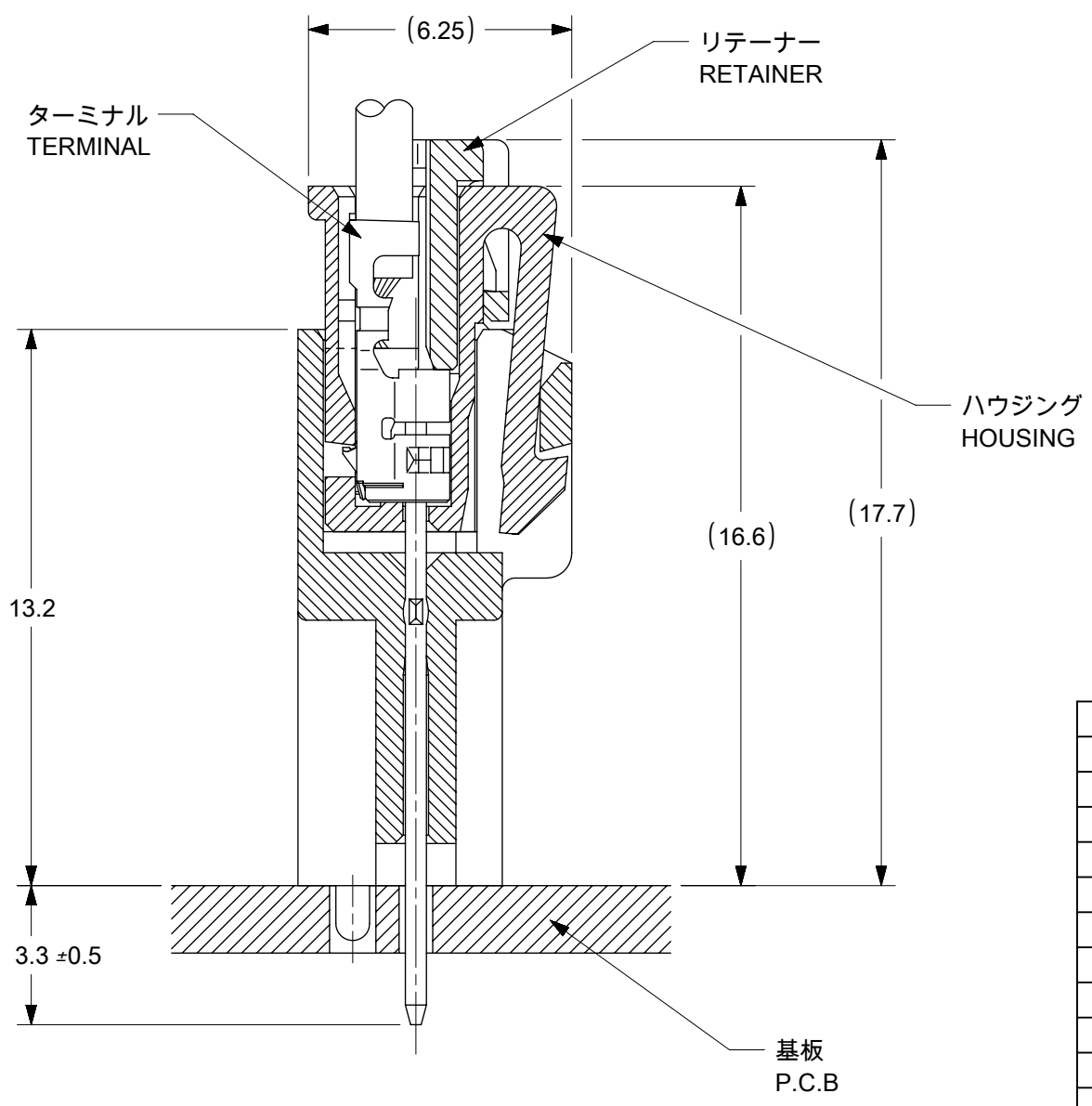
注記
NOTE

- 材料 MATERIAL
ピン : 黄銅, 銅下地錫メッキ
PIN : BRASS, Sn OVER Cu PLATED
ヘッダー : 66ナイロン (ガラス入り : 25%), UL94V-0
(色 : 自然色 又は 染色)
HEADER : NYLON66 (G.F. : 25%), UL94V-0
(COLOR : NATURAL OR DYED COLOR)
- 嵌合相手 : 51216シリ - ズ
MATE WITH : 51216 SERIES
- 溶剤テールキックは、両端のピンのみとする。
KINK TO BE APPLIED FOR 2 PINS AT BOTH ENDS.
- 偶数極に適用。
APPLY EVEN CIRCUIT PRODUCTS.
- 本製品は 55487-**10/-**12/-**13/**14/**16 の鉛フリー品である。
THIS PRODUCT IS LEAD FREE OF 55487-**10/-**12/-**13/-**14/-**16.
- ELV及びRoHS適合品
ELV AND RoHS COMPLIANT

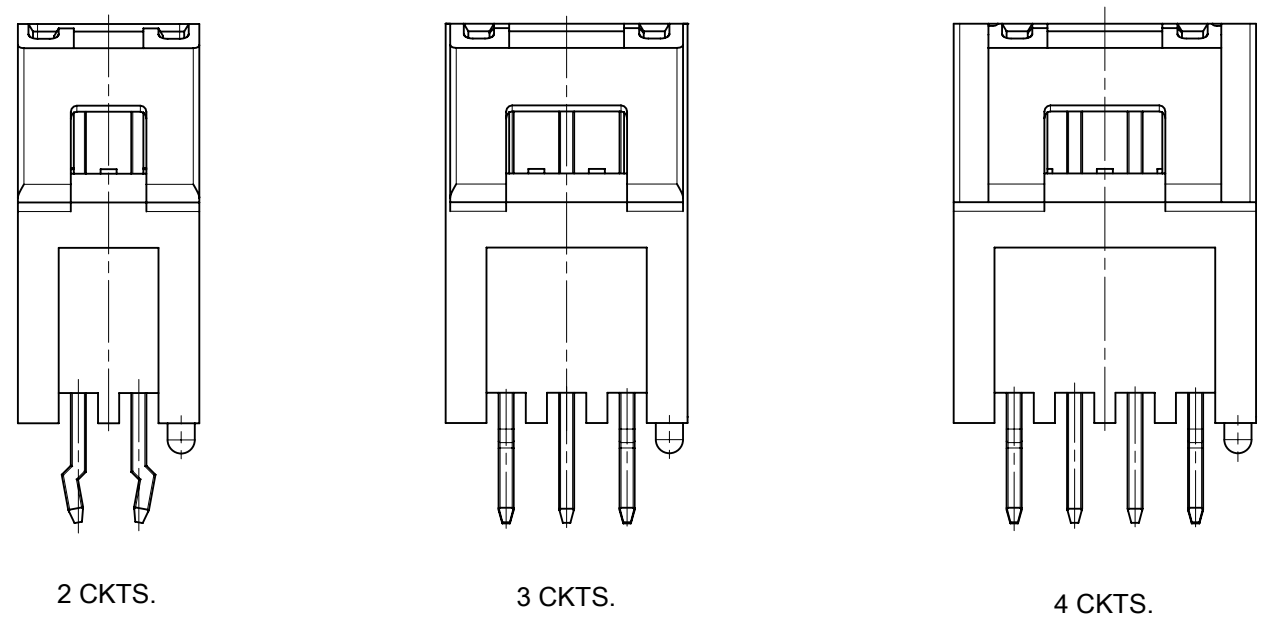


基板取付穴推奨寸法 (マウント面)
RECOMMENDED P.C.BOARD
HOLE DIMENSION
(MOUNTING SIDE)
(T=1.6)

THIS DRAWING CONTAINS INFORMATION THAT IS PROPRIETARY TO MOLEX ELECTRONIC TECHNOLOGIES, LLC AND SHOULD NOT BE USED WITHOUT WRITTEN PERMISSION									
DIMENSION UNITS	SCALE	CURRENT REV DESC: REMASTERED AND OBSOLETE PART NUMBERS							
mm	4:1								
GENERAL TOLERANCES (UNLESS SPECIFIED)									
ANGULAR TOL	± 3.0°	EC NO: 642933 DRWN: MKP 2020/07/23 CHK'D: YVENKATESWAR 2020/08/05 APPR: ISHWARG 2020/08/07							
4 PLACES	±	PRODUCT CUSTOMER DRAWING							
3 PLACES	±	INITIAL REVISION:							
2 PLACES	± 0.2	DRWN: M.NABEI 2005/05/20 APPR: N.UKITA 2005/05/20							
1 PLACE	± 0.2	DOCUMENT NUMBER							
0 PLACES	± 0.2	SD-55487-007							
DRAFT WHERE APPLICABLE MUST REMAIN WITHIN DIMENSIONS		THIRD ANGLE PROJECTION	DRAWING	SERIES	MATERIAL NUMBER	CUSTOMER		DOC TYPE	DOC PART
			A3-SIZE	55487	SEE CHART	GENERAL MARKET		PSD	001
							REVISION	D1	
							SHEET NUMBER		
							1 OF 2		



嵌合断面図 (参考)
LAYOUT OF EACH CKTS.

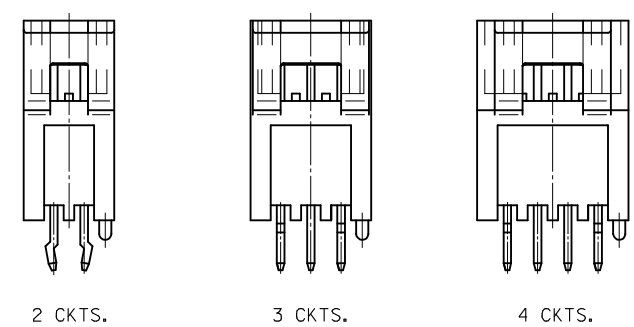
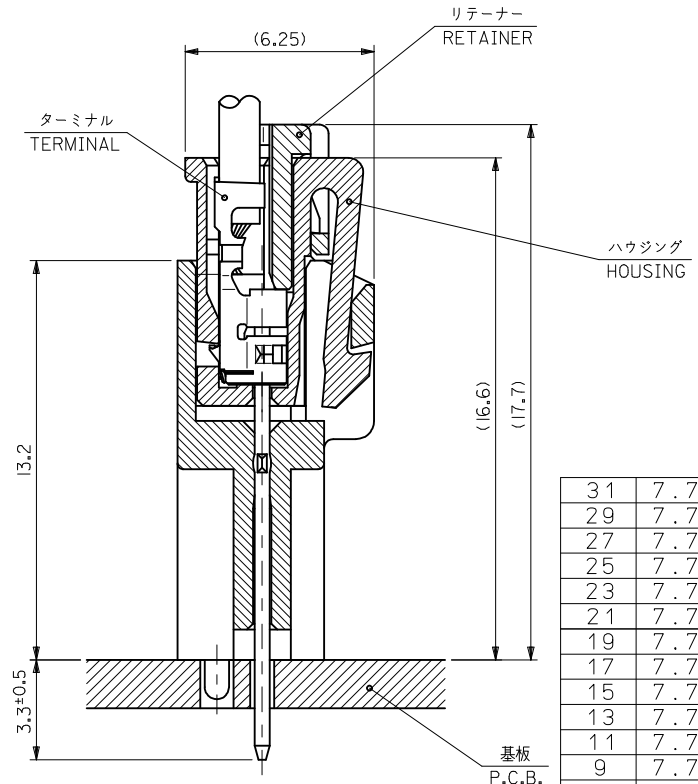


31	7.7	28	32	55487-1526 VO	55487-1523 VO	55487-1522 VO	55487-1519	15	
29	7.7	26	30	55487-1426 VO	55487-1423 VO	55487-1422 VO	55487-1419	14	
27	7.7	24	28				55487-1319	13	
25	7.7	22	26	55487-1226 VO	55487-1223	55487-1222 VO	55487-1219	12	
23	7.7	20	24				55487-1119	11	
21	7.7	18	22	55487-1026 VO	55487-1024 VO	55487-1023 VO	55487-1022 VO	55487-1019	
19	7.7	16	20	55487-0926 VO		55487-0923 VO	55487-0922 VO	55487-0919	
17	7.7	14	18	55487-0826 VO		55487-0823 VO	55487-0822 VO	55487-0819	
15	7.7	12	16				55487-0719	7	
13	7.7	10	14				55487-0619	6	
11	7.7	8	12	55487-0526 VO		55487-0523 VO	55487-0522	55487-0519	
9	7.7	6	10				55487-0419	4	
7	7.7	4	8				55487-0319	3	
5	6	2	6	55487-0226	55487-0224	55487-0223	55487-0219	2	
D	C	B	A	COLOR : GREEN 色 : 緑	COLOR : BLUE 色 : 青	COLOR : YELLOW 色 : 黄	COLOR : RED 色 : 赤	COLOR : WHITE 色 : 白	CKT 極数
TRAY PACKAGE									
オーダー番号 ORDER NO.									
CONNECTOR SERIES NO. 55487-****									

THIS DRAWING CONTAINS INFORMATION THAT IS PROPRIETARY TO MOLEX ELECTRONIC TECHNOLOGIES, LLC AND SHOULD NOT BE USED WITHOUT WRITTEN PERMISSION

DIMENSION UNITS mm	SCALE 4:1	CURRENT REV DESC: REMASTERED AND OBSOLETE PART NUMBERS	
GENERAL TOLERANCES (UNLESS SPECIFIED)		<p>molex</p> <p>2.0 MM W TO B CONN. HEADER ASSY (ST.)</p> <p>PRODUCT CUSTOMER DRAWING</p>	
ANGULAR TOL	± 3.0 °		
4 PLACES	±		
3 PLACES	±		
2 PLACES	± 0.2		
1 PLACE	± 0.2	EC NO: 642933	2020/07/23
0 PLACES	± 0.2	DRWN: MKP	2020/08/05
DRAFT WHERE APPLICABLE MUST REMAIN WITHIN DIMENSIONS		APPR: ISHWARG	2020/08/07
THIRD ANGLE PROJECTION		INITIAL REVISION:	DOCUMENT NUMBER
DRAWING		DRWN: M.NABEI	SD-55487-007
SERIES		APPR: N.UKITA	DOC TYPE
A3-SIZE		2005/05/20	PSD
55487		2005/05/20	001
MATERIAL NUMBER		CUSTOMER	REVISION
SEE CHART		GENERAL MARKET	D1
SHEET NUMBER		2 OF 2	

10 9 8 7 6 5 4 3 2 1



種数レイアウト図
LAYOUT OF EACH CKTS.

嵌合断面図 (参考)
LAYOUT OF EACH CKTS.

31	7.7	28	32	55487-1526		55487-1523	55487-1522	55487-1519	15
29	7.7	26	30	55487-1426		55487-1423	55487-1422	55487-1419	14
27	7.7	24	28					55487-1319	13
25	7.7	22	26	55487-1226		55487-1223	55487-1222	55487-1219	12
23	7.7	20	24					55487-1119	11
21	7.7	18	22	55487-1026	55487-1024	55487-1023	55487-1022	55487-1019	10
19	7.7	16	20	55487-0926		55487-0923	55487-0922	55487-0919	9
17	7.7	14	18	55487-0826		55487-0823	55487-0822	55487-0819	8
15	7.7	12	16					55487-0719	7
13	7.7	10	14					55487-0619	6
11	7.7	8	12	55487-0526		55487-0523	55487-0522	55487-0519	5
9	7.7	6	10					55487-0419	4
7	7.7	4	8					55487-0319	3
5	6	2	6	55487-0226	55487-0224	55487-0223		55487-0219	2
				COLOR : GREEN 色 : 緑	COLOR : BLUE 色 : 青	COLOR : YELLOW 色 : 黄	COLOR : RED 色 : 赤	COLOR : WHITE 色 : 白	CKT 極数
D	C	B	A	TRAY PACKAGE オーダー番号 ORDER NO. CONNECTOR SERIES NO. 55487-****					

SEE SHEET 1 EC NO: J2015-0174 DRWN: YWAKE 2014/08/04 CHKD: KASAKAWA 2014/08/04 APPR: NUKITA 2014/08/05	GENERAL TOLERANCES (UNLESS SPECIFIED)		DIMENSION STYLE MM ONLY		SCALE ---	DESIGN UNITS METRIC	THIRD ANGLE PROJECTION	
	10 UNDER	±0.2	DRAWN BY M. NABE I	DATE '05/05/20	TITLE 2.0 MM W TO B CONN. HEADER ASS'Y (ST.)			
	10 OVER 30 UNDER	±0.25	CHECKED BY K. TOJO	DATE '05/05/20				
	30 OVER	±0.3	APPROVED BY N. UKITA	DATE '05/05/20				
ANGULAR ±3 °		MATERIAL NO. SEE SHEET 1		DOCUMENT NO. SD-55487-007		SHEET NO. 2 OF 2		
DRAFT WHERE APPLICABLE MUST REMAIN WITHIN DIMENSIONS		THIS DRAWING CONTAINS INFORMATION THAT IS PROPRIETARY TO MOLEX INCORPORATED AND SHOULD NOT BE USED WITHOUT WRITTEN PERMISSION						

9 8 7 6 5 4 3 2