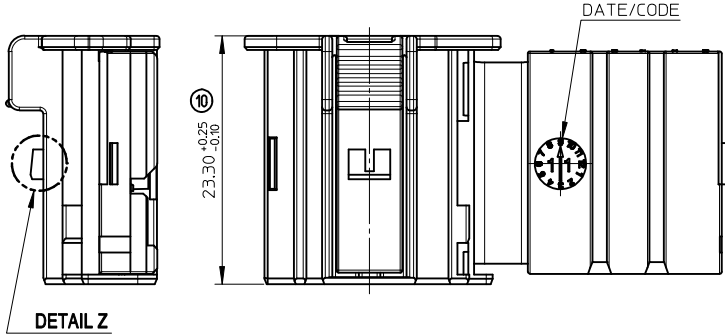
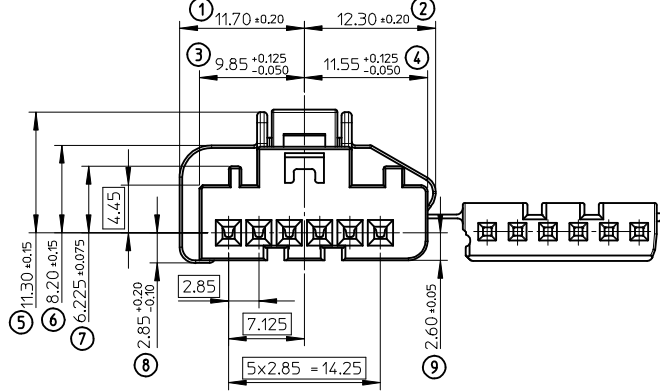
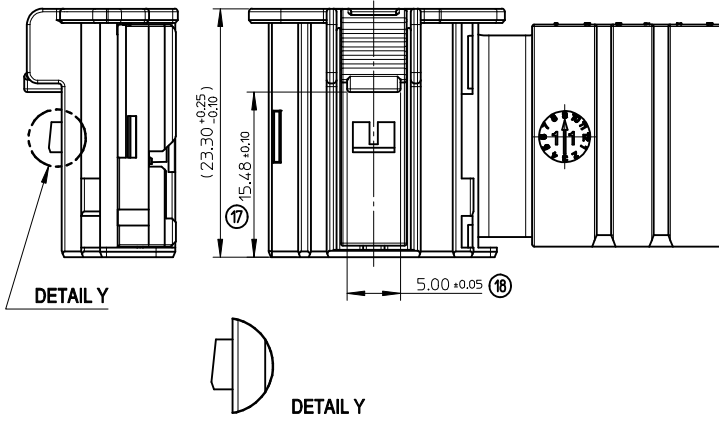


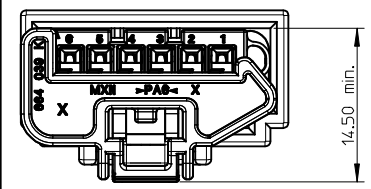
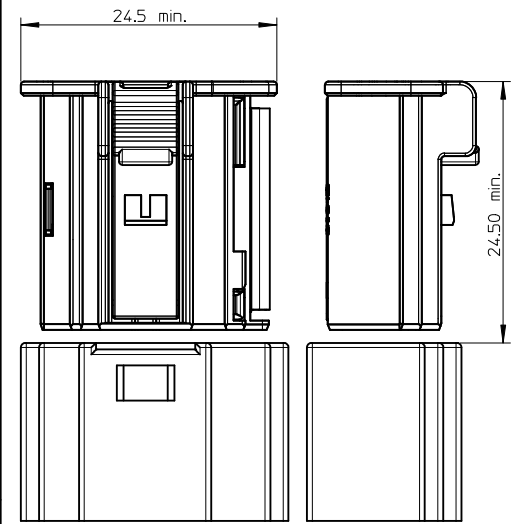
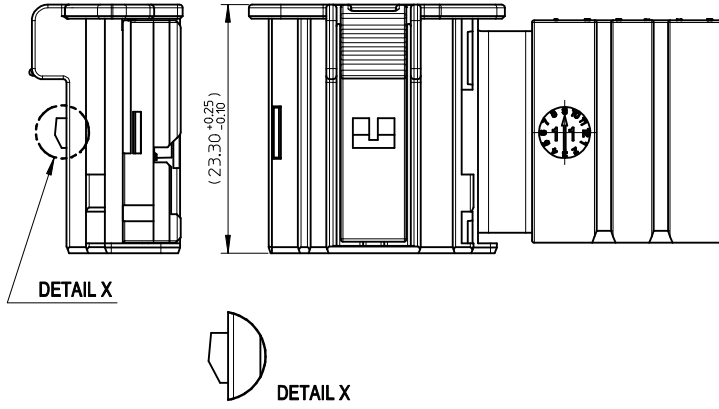
OPTION A - P/N: 0981930001
(PRESSING AREA SHORTER)



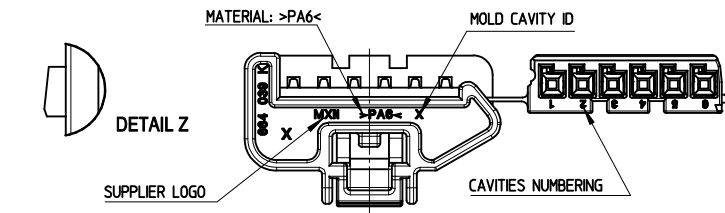
OPTION B - P/N: 0981930010
(PRESSING AREA LONGER)



OPTION C - P/N: 0981930100
(PRESSING AREA SHORTER)



- Necessary volume for the housing assembly.
- Allow an additional volume for the unmating.

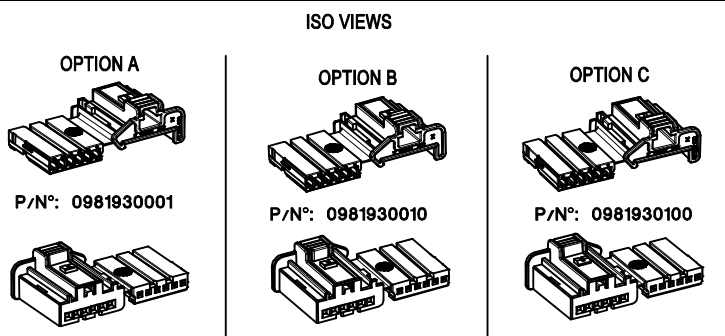


INSPECTION BALLOON NUMBER LOG

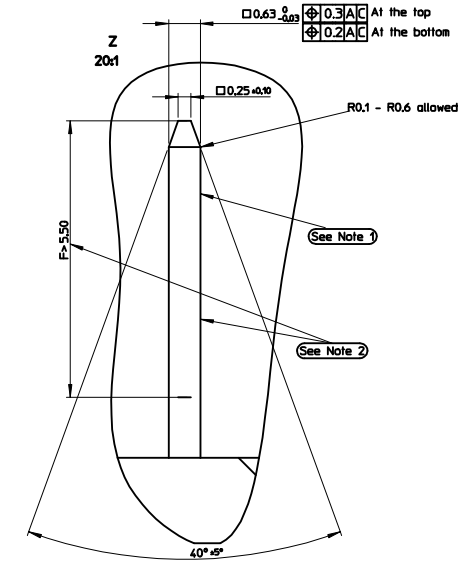
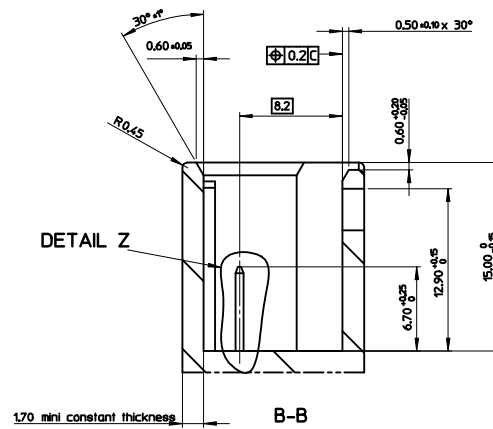
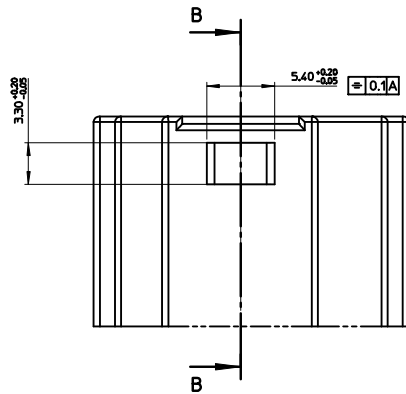
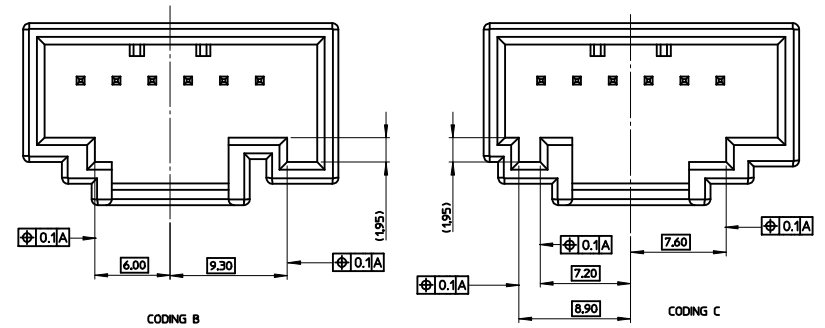
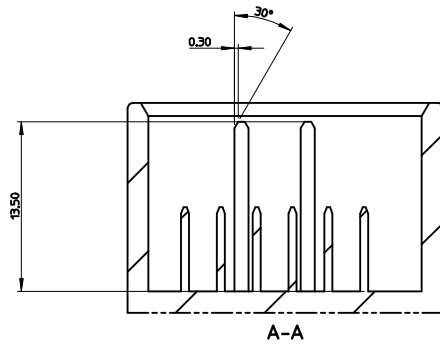
PER DRAWING REVISION: L
LAST BALLOON NUMBER USED: 12
ADDED BALLOON NUMBERS:
REMOVED BALLOON NUMBERS:

- 1- MATERIAL : POLYAMIDE (PA), UL94 V2
COLOR: BLACK
- 2- USE WITH: 98658 (MOX 0.63 TERMINAL)
- 3- APPLICATION SPECIFICATION: AS-98193-018

M	ADDED P/N 0981930100
L	DIM#3 FROM 9.85 ±0.05 TO 9.85 ±0.125/-0.050
L	DIM#4 FROM 11.55 ±0.05 TO 11.55 ±0.125/-0.050
L	DIM#10 FROM 23.3 ±0.1 TO 23.3 ±0.25/-0.10
K	DIM#5 FROM 11.30 ±0.075 TO 11.30 ±0.15
J	DIM#8 FROM 2.85 ±0.1 TO 2.85 ±0.2/-0.1

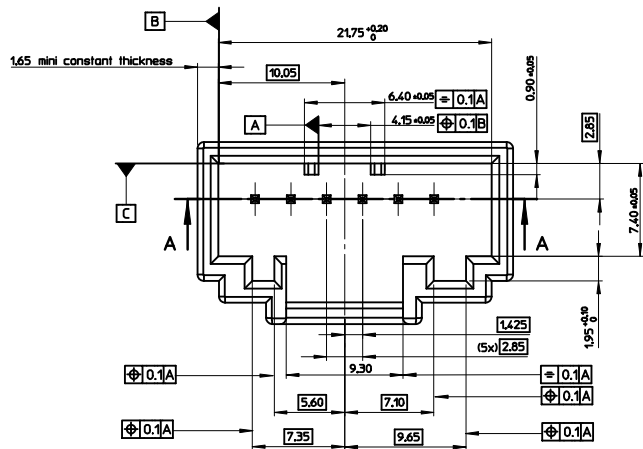


ADDED P/N 0981930100 EC NO: G2017-0021 DRW: NFRANDCL 2016/06/16 CHKD: JLDUCLOS 2016/06/16 APPR: OPLESSIS 2016/10/17	QUALITY SYMBOLS 	GENERAL TOLERANCES (UNLESS SPECIFIED)		DIMENSION STYLE MM ONLY	SCALE 3:1	DESIGN UNITS METRIC	FIRST ANGLE PROJECTION
		4 PLACES ± --- ± --- 3 PLACES ± --- ± --- 2 PLACES ± 0.05 ± --- 1 PLACE ± 0.1 ± --- 0 PLACE ± 0.1 ±	mm INCH ± --- ± --- ± 0.05 ± --- ± 0.1 ± --- ± 0.1 ±	DRAWN BY MR I VIERE DATE 04/04/2006	TITLE MOX HOUSING 6 CKT CUSTOMER DRAWING	MATERIAL NO. SEE P/N CHART	DOCUMENT NO. SD-98193-001
DRAFT WHERE APPLICABLE MUST REMAIN WITHIN DIMENSIONS							
THIS DRAWING CONTAINS INFORMATION THAT IS PROPRIETARY TO MOLEX INCORPORATED AND SHOULD NOT BE USED WITHOUT WRITTEN PERMISSION							



NOTA:

- No burrs / No sharp edges allowed
- Base material: copper alloy, IACS mini = 25%, tensile strength mini = 560N/mm²
Plating : 1 to 3 μm of pure tin (Sn)
13 μm mini of Nickel (Ni) underlayer
Minimum plating area = F
- recommended plastic material: >PBT-GF15<
- BLACK CODING A SHOWN.
- MINIMUM PIN RETENTION FORCE = 40 N.
- HEADER CODING A COMPATIBLE WITH MOLEX MATERIAL NUMBER 981930001.



FIRST RELEASE EC NO: G2005-0303 DRAWN BY: JBERVAS CHKD: JLDUCLOS APPROVED BY: LSTICKEIR	QUALITY SYMBOLS H0 H1	GENERAL TOLERANCES (UNLESS SPECIFIED)		DIMENSION STYLE		SCALE	DESIGN UNITS	FIRST ANGLE PROJECTION		
				MM ONLY		5:1	METRIC			
						DRAWN BY	DATE	TITLE		
						CHECKED BY	DATE	INTERFACE DRAWING MOX RCPT HSG 6 CKT 98193 SERIES		
				2 PLACES ±0.10 ±---		APPROVED BY		DATE		
				1 PLACE ±0.2 ±---		LSTICKEIR		2005/04/14		
				ANGULAR ±1/2°		MATERIAL NO.		DOCUMENT NO.		
				DRAFT WHERE APPLICABLE MUST REMAIN WITHIN DIMENSIONS		N/A		SD-98193-004		
						SIZE		SHEET NO.		
						A 1		1 OF 1		
THIS DRAWING CONTAINS INFORMATION THAT IS PROPRIETARY TO MOLEX INCORPORATED AND SHOULD NOT BE USED WITHOUT WRITTEN PERMISSION										