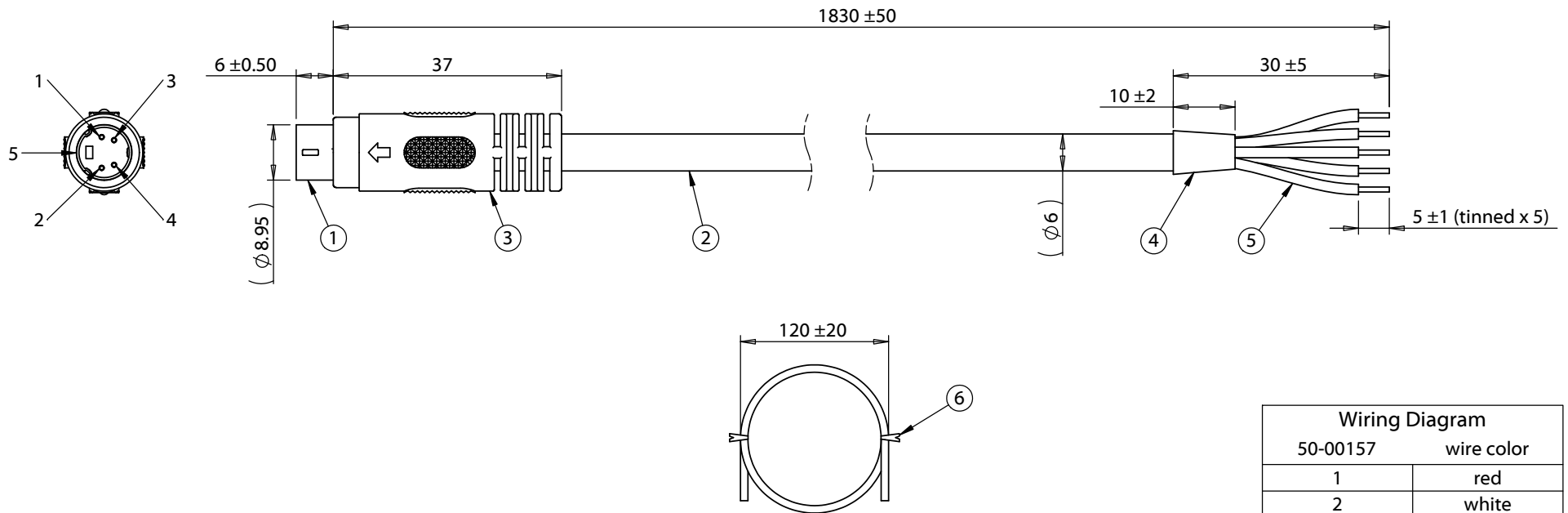


ITEM NO.	PART NUMBER	DESCRIPTION	QTY.	COMPONENT NOTES
1	50-00157	Connector, 4P mini DIN male, molding style, brass, nickel plating	1	
2	30-00024	Wire, 4C, 20 AWG, UL2464, 300 V, 80 C, 6.0 mm, shielded, VW-1, PVC, 79A	1	
3	24-00069	Overmold, PVC	1	black
4	Heat Shrink	Heat shrink tube, Ø6.0, 105° C, L=10 ±2 mm	1	black
5	Heat Shrink	Heat shrink tube, Ø1.0, 105° C, L=30 ±5 mm	1	black, covers drain wire
6	Tie	Twist tie	2	black



**Notes:**  
Functionally equivalent components may be substituted

Electrical requirements: 2 A, 12 Vdc

Wiring Diagram	
50-00157	wire color
1	red
2	white
3	black
4	brown
5	drain/black

Revision:	Date:	Description:	Prepared:	Notes:	TENSILITY	tel 1.541.323.3228 800 877.670.7118 fax 1.541.323.4202 web tensility.com
A	3/09/2011	Initial release		RoHS and REACH compliant		
			Verified:	Function test: no open, no short circuit, no intermittent	Size: A	Part number: 10-00420
			Dimensions are in millimeters. Tolerances: X: ± 0.5 mm X.X: ± 0.3 mm X.XX: ± 0.05 mm	Description: Cable, 1830 mm, 4P mini-DIN male 50-00157, to stripped tinned, 20 AWG, UL2464 30-00024, shielded	Scale: 1:1	Sheet 1 of 1