

6

5

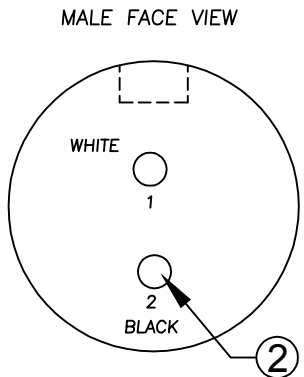
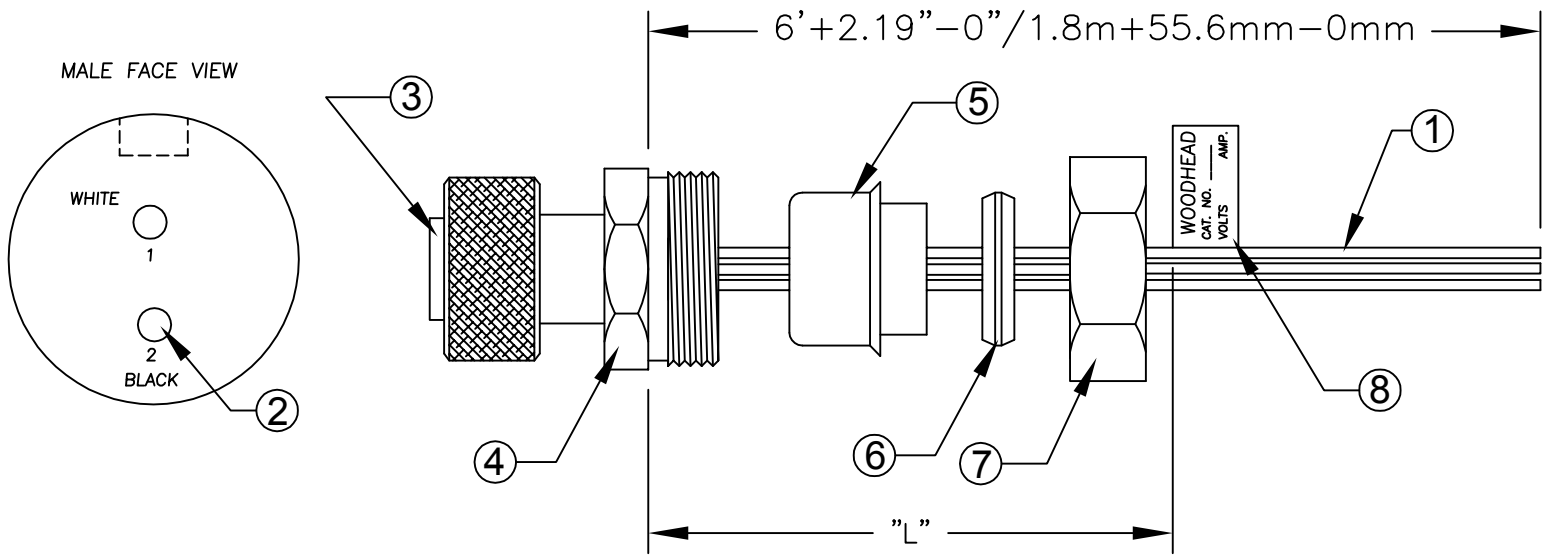
4

3

2

1

ITEM	DESCRIPTION	MATERIAL	FINISH
1	CONDUCTOR	PVC	SEE WIRING DIAGRAM
2	#16 MALE PIN	COPPER ALLOY	GOLD PLATED
3	2 POLE MALE INSERT	PVC	YELLOW
4	RCPT LIQUID TIGHT	STEEL	ZINC PLATED
5	FERRULE, METAL	STEEL	ZINC PLATED
6	FERRULE, PLASTIC	NYLON	WHITE
7	CLAMP NUT	STEEL	ZINC PLATED
8	LABEL	PLASTIC FILM	BLACK/YELLOW



PART #	ENGINEERING NUMBER
130006-2098	40780

RELEASE DRAWING
 EC NO: WNA2010-0134
 DRWN: TVICKERS 8/28/09
 CHKD: B.WOODMA
 APPR: DTITUS 2009/08/31
 DESCRIPTION
 REV A

QUALITY SYMBOLS
 ▽=0
 ∇=0

GENERAL TOLERANCES (UNLESS SPECIFIED)

	mm	INCH
4 PLACES	±----	±----
3 PLACES	±----	±.005
2 PLACES	±----	±.010
1 PLACE	±----	±.020

 ANGULAR ±.5°
 DRAFT WHERE APPLICABLE
 MUST REMAIN
 WITHIN DIMENSIONS

DIMENSION STYLE
 INCH
 DRAWN BY DATE
 TV 2009/08/25
 CHECKED BY DATE
 B.WOODMA 2009/08/25
 APPROVED BY DATE
 DTITUS 2009/08/28
 MATERIAL NO.
 SEE CHART
 SIZE
 A

SCALE
 NTS
 DESIGN UNITS
 INCH
 THIRD ANGLE PROJECTION
 TITLE
 MC 2P MP
 LIQUID TIGHT

 MOLEX INCORPORATED
 DOCUMENT NO.
 SD-130062-008
 SHEET NO.
 1 OF 1
 THIS DRAWING CONTAINS INFORMATION THAT IS PROPRIETARY TO MOLEX INCORPORATED AND SHOULD NOT BE USED WITHOUT WRITTEN PERMISSION

6

5

4

3

2

1