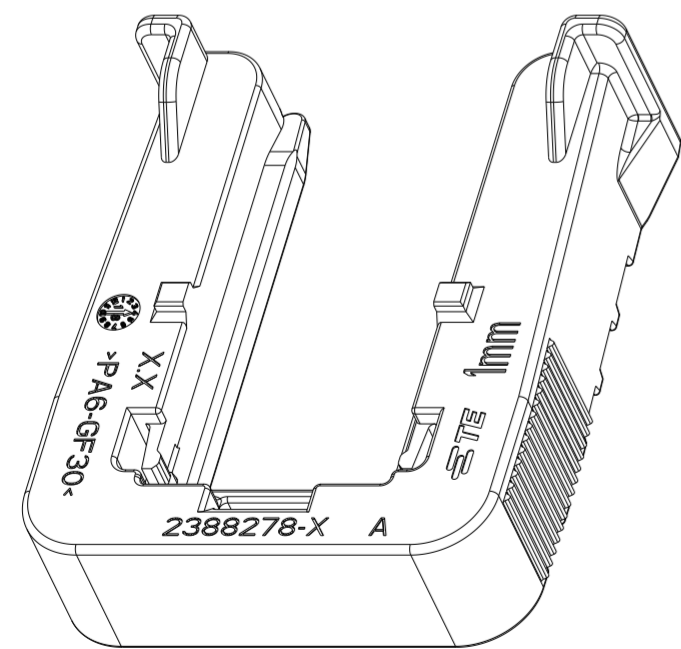
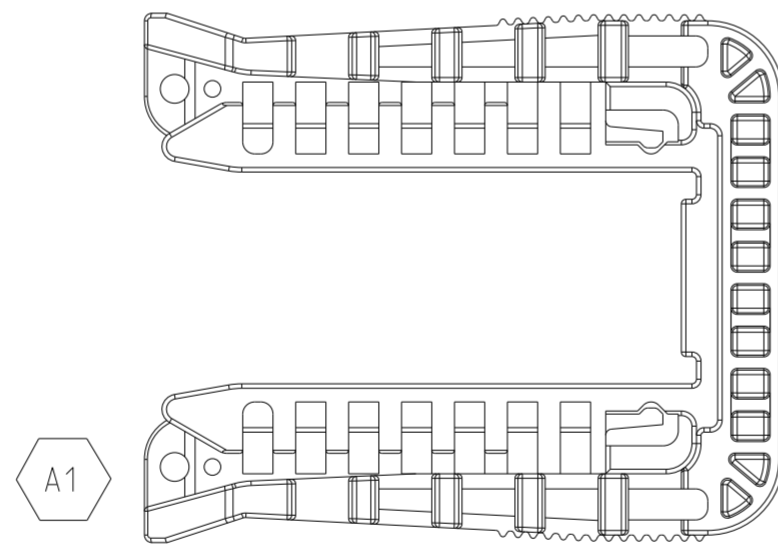
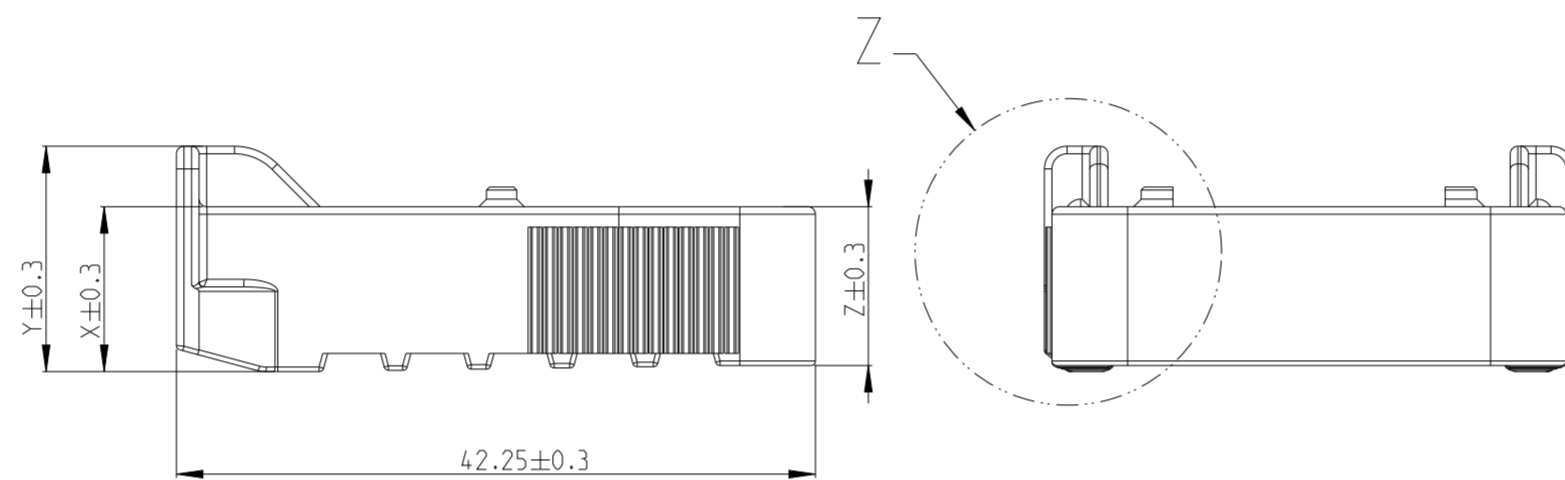
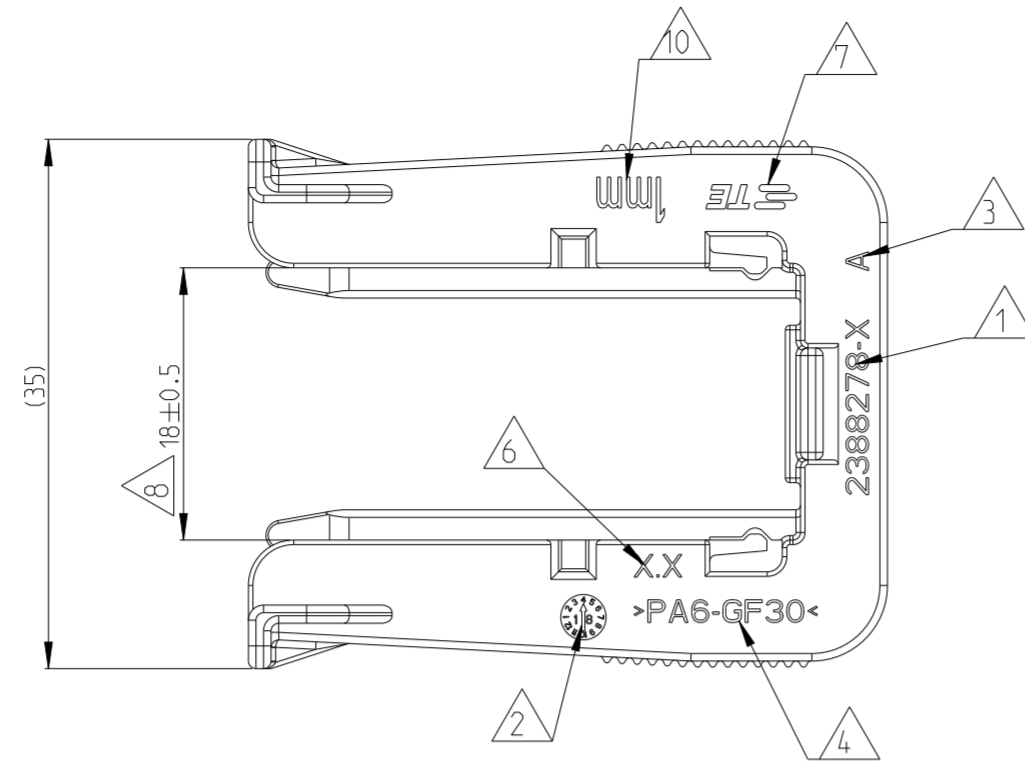
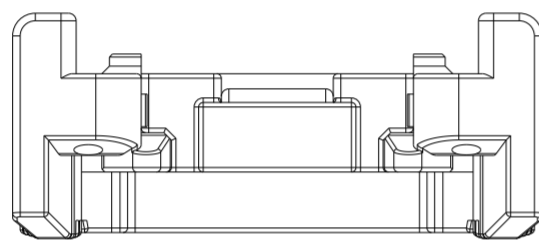


GEOMETRY GRADUALLY INCREASING FROM DIMENSION "Z" TO "X".

DETAIL Z
SCALE 5:1



2388278-1 AS SHOWN

REVISIONS					
P	LTR	DESCRIPTION	DATE	DWN	APVD
	A	INITIAL RELEASE	12APR2021	J.S	I.Y
	A1	ECN-21-117700	15SEP2021	J.S	Z.Z

- 1. MATERIAL : PA6-GF30 V-0 OR EQUIVALECE RESIN.
- 2. PRODUCT DATE
- 3. LETTER-INSERT FOR THE REVISION STATUS OF THE MOULD
- 4. MATERIAL MARKING ACCORDING TO VDA260
- 5. BULK PACKAGING IN CORRUGATED BOX
- 6. MOULD CAVITY MARKING
- 7. TE LOGO
- 8. WARGAGE PERMITTED UP TO -1.5MM FROM NOMINAL SIZE
- 9. SUITABLE FOR TAB HOUSING WITH FLANGE GROUP D, SEE PRODUCT GROUP DRAWING 1563709.
- 10. MARKING FOR SUITABLE SHEET METEAL THICKNESS(NOMINAL SIZE)

2388278-6	A	SLIDER 3.5MM	GREY	8.4	12.4	8.0	6.5
2388278-5	A	SLIDER 3MM	YELLOW	8.9	12.9	8.5	6.7
2388278-4	A	SLIDER 2.5MM	RED	9.4	13.4	9.0	6.9
2388278-3	A	SLIDER 1.5MM	GREY	10.4	14.4	10.0	7.4
2388278-2	A	SLIDER 1.2MM	ORANGE	10.7	14.7	10.3	7.5
2388278-1	A	SLIDER 1MM	NATURAL	10.9	14.9	10.5	7.6
PART NO	REV.	DESCRIPTION	COLOUR	DIM X	DIM Y	DIM Z	WEIGHT [g]

THIS DRAWING IS A CONTROLLED DOCUMENT.		DWN J.SHANG 12APR2021	STE TE Connectivity	
DIMENSIONS: mm		CHK C.WAN 12APR2021		
TOLERANCES UNLESS OTHERWISE SPECIFIED:		APVD J.YIN 12APR2021	NAME SLIDE, GROUP D, TAB HOUSING	
0 PLC ±		PRODUCT SPEC 108-94020	SIZE	
1 PLC ±		APPLICATION SPEC 114-18756	CAGE CODE A200779	
2 PLC ±		WEIGHT SEE TABLE A2	DRAWING NO C-2388278	
3 PLC ±		MATERIAL PA6-GF30 V-0	RESTRICTED TO	
4 PLC ±		FINISH	SCALE 2:1	
ANGLES ±		CUSTOMER DRAWING	SHEET 1 OF 1	
FINISH			REV A1	