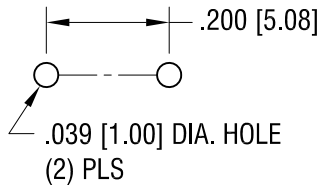
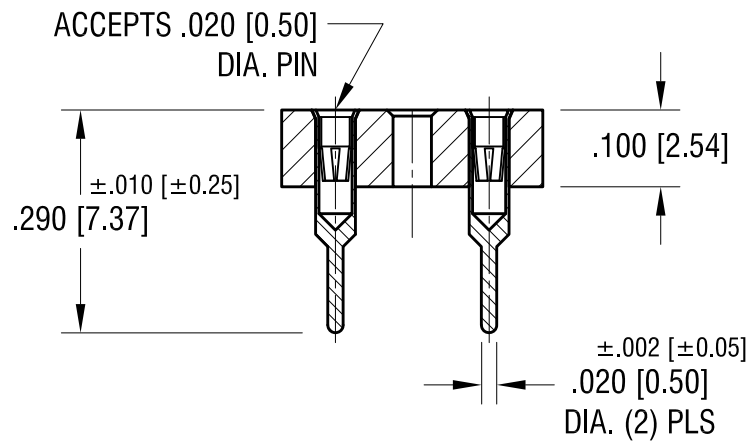
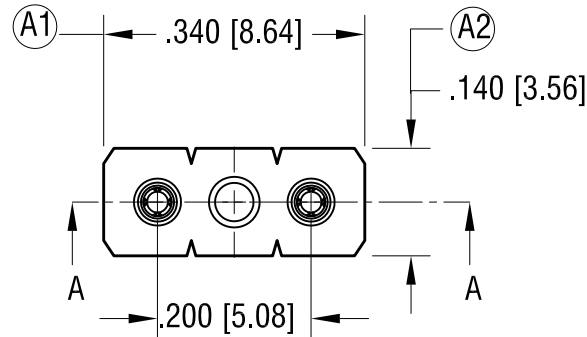


THIS DOCUMENT IS THE PROPERTY OF KEYSTONE ELECTRONICS CORP. AND SHALL NOT BE REPRODUCED, DISTRIBUTED OR USED AS A BASIS FOR MANUFACTURE WITHOUT PRIOR WRITTEN PERMISSION FROM KEYSTONE ELECTRONICS CORP.

MOUNTING DETAIL



ACTUAL SIZE



NOTES:

- 1. INSULATOR:
 MAT'L - THERMOPLASTIC, UL94 V-0
- CONTACT PIN:
 MAT'L - BRASS
 FINISH - TIN PLATE
- CONTACT SPRING:
 MAT'L - BERYLLIUM COPPER
 FINISH - GOLD PLATE

8.12.19	Ⓐ1 WAS .300, Ⓐ2 WAS .100 CHANGE AS PER ECN 19-067	A
DATE	DESCRIPTION	REV.

KEYSTONE ELECTRONICS CORP.			
www.keyelco.com • NEW HYDE PARK, NY 11040 • Tel (516) 328-7500			
PART NAME		SUBMINIATURE FUSE HOLDER	
MATERIAL		AS NOTED	
FINISH	AS NOTED	DRN BY	BOONE
		DATE	6.20.06
		APP'D	LN
		SCALE	4X
TOLERANCES	INCH [MM]	CODE	DWG NO.
DECIMAL	± .005 [± 0.13]	C	3553
ANGULAR	± 1°		
UNLESS OTHERWISE SPECIFIED			