

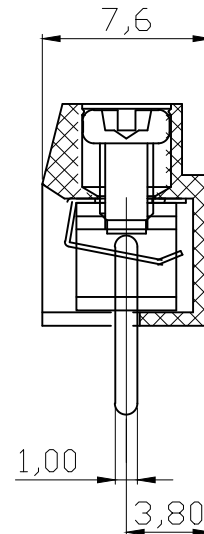
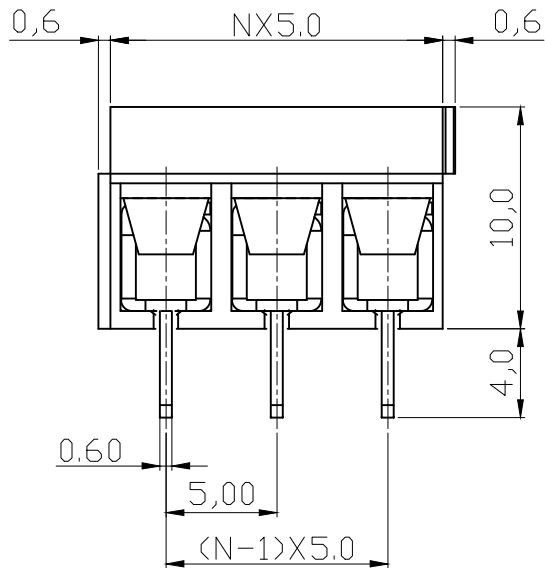
P.C.B. LAYOUT

Material

Terminal body
 (metal housing): Brass stamped
 Terminal screw: Steel Zinc plating "+/-" slot type
 Wire guard: Stainless steel
 Surface of solder tail: Tin plated
 Insulator (housing): Thermoplastic (UL94V-0) ,Green

Electrical

Voltage rating: 300VAC
 Current rating: 8A
 Wire range:
 Solid wire(AWG): 14-26
 Stranded wire(AWG): 14-26
 Torque(Lb-In): 3.5
 Screw: M2.5
 Wire strip length: 5-6mm
 Withstanding Voltage: 1.6KV
 Operating temperature: -40°C to +115°C
 Soldering temperature: 250°C±10°C/5 Sec
 Safety Approval: us



N=Number of contacts

RoHS compliant

Unit: mm



File No.: E349947

Scale	1:1					Date	Name	Customer-No.
TOLERANCE					Drawn	29.07.2009	Dean	
X.	±0.50				Approved	18.04.2016	Joanna	ASSMANN WSW-No.
X.X	±0.30							A-TB500-T3xx
X.XX	±0.10							Drawing-No.
DIM	TOL	②	Add UL	18.04.2016	Joanna			ASS 3593 CO
X.°	±1°							rev02
X.X°	±X°	①	Drawn	29.07.2009	Dean			Replace
Angle	TOL	Id.	Modification	Date	Name			Sheet