

Customer Information Sheet

DRAWING No.: M55-60XXX42R

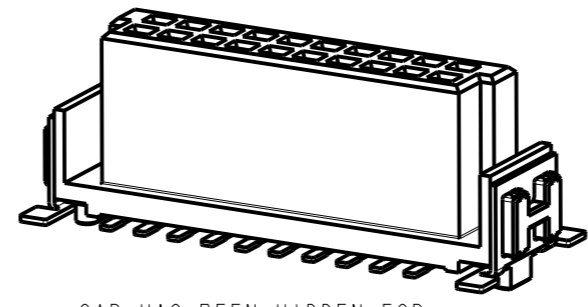
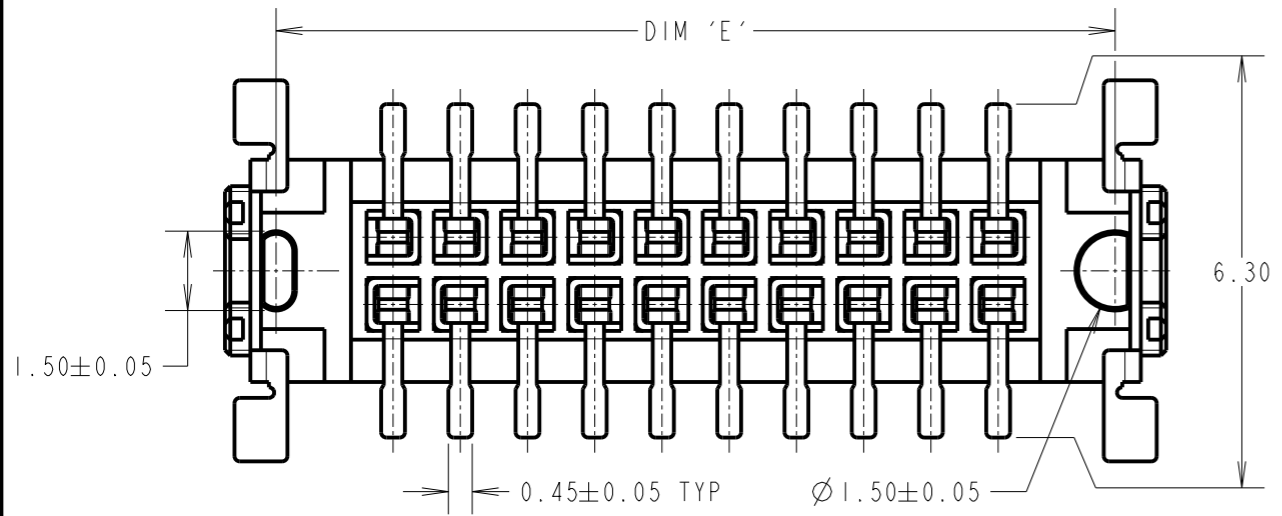
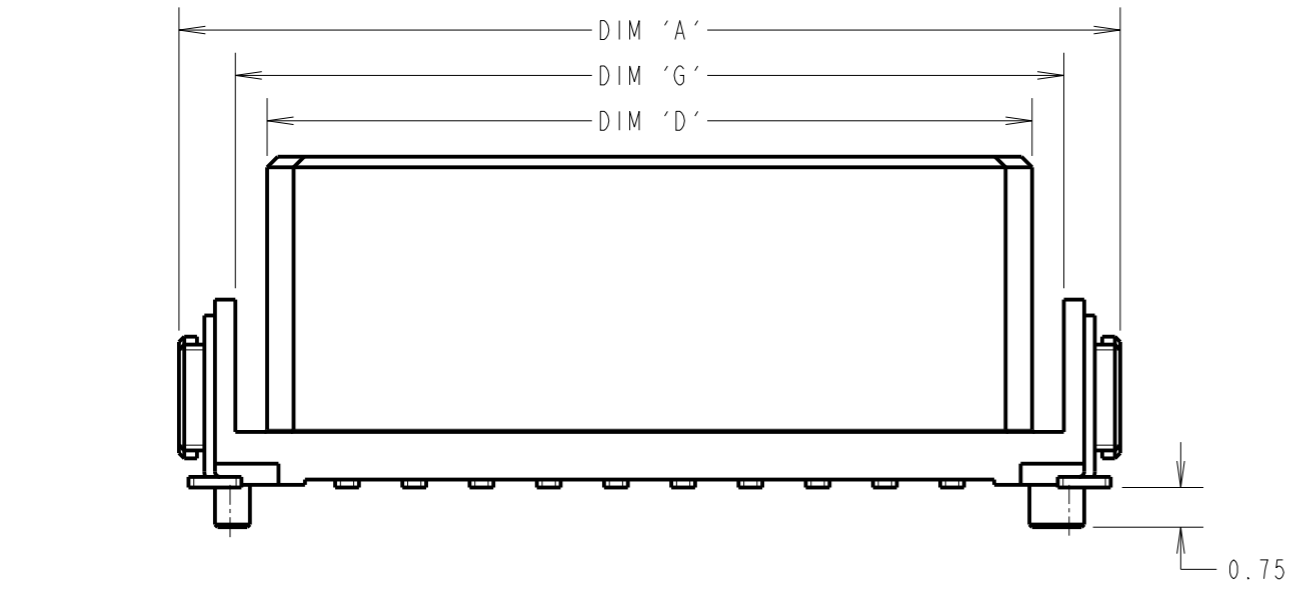
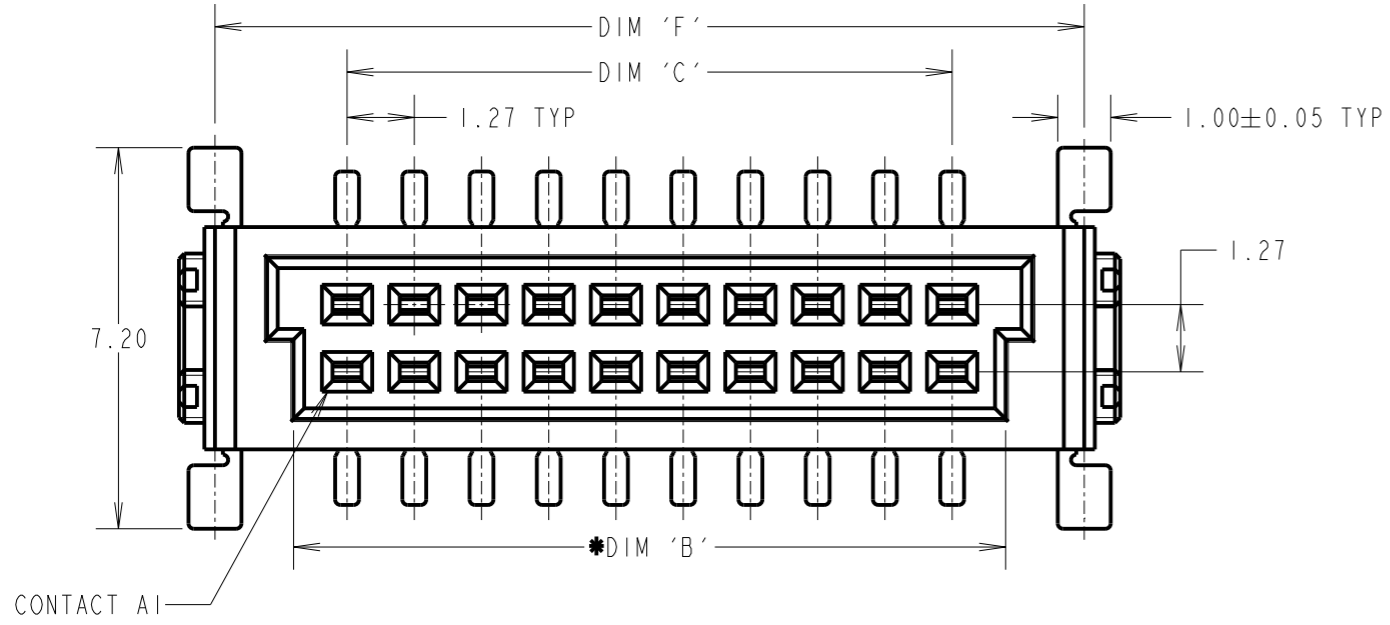
IF IN DOUBT - ASK

©

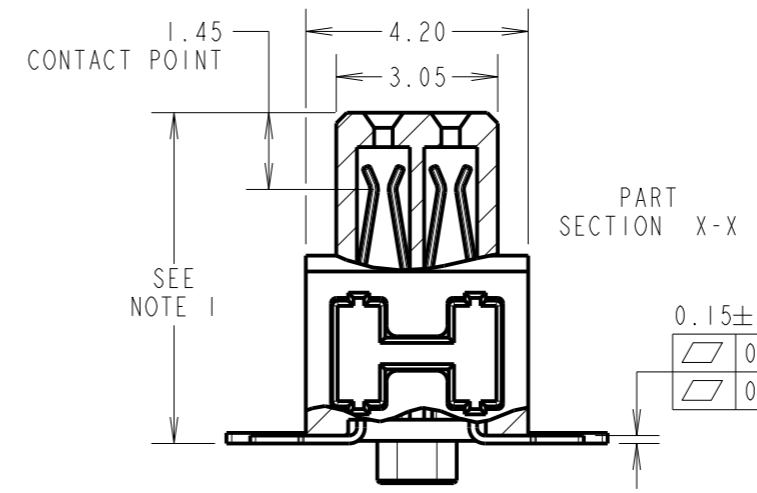
NOT TO SCALE

THIRD ANGLE PROJECTION

ALL DIMENSIONS IN mm



CAP HAS BEEN HIDDEN FOR ILLUSTRATION PURPOSES ONLY. SEE NOTE 1



0.1	12 - 50 CONTACTS
0.15	68 - 80 CONTACTS

SPECIFICATIONS:
 MATERIAL:
 MOULDING & CAP = HIGH TEMP, LCP, UL94V-0
 CONTACT = PHOSPHOR BRONZE
 RETAINING STRAP = BRASS
 PLATING:
 CONTACT = 0.025µm MIN GOLD OVER
 2.03µm MIN NICKEL ON CONTACT AREA,
 2.54µm MIN TIN OVER
 1.27µm MIN NICKEL ON TAILS
 RETAINING STRAP = 2.45µm MIN TIN OVER
 1.01µm MIN NICKEL

ORDER CODE:
M55-60XXX42R
 CONNECTOR HEIGHT: _____
 0 = 6.25
 1 = 9.05
 2 = 13.65
 TOTAL No. OF CONTACTS: _____
 12, 16, 20, 26,
 32, 40, 50, 68, 80

PART No.	DIM 'A'	DIM 'B'	DIM 'C'	DIM 'D'	DIM 'E'	DIM 'F'	DIM 'G'
M55-60X1242R	12.70	8.37	6.35	9.37	10.77	11.34	10.57
M55-60X1642R	15.24	10.91	8.89	11.91	13.31	13.88	13.11
M55-60X2042R	17.78	13.45	11.43	14.45	15.85	16.42	15.65
M55-60X2642R	21.59	17.26	15.24	18.26	19.66	20.23	19.46
M55-60X3242R	25.40	21.07	19.05	22.07	23.47	24.04	23.27
M55-60X4042R	30.48	26.15	24.13	27.15	28.55	29.12	28.35
M55-60X5042R	36.83	32.50	30.48	33.50	34.90	35.47	34.70
M55-60X6842R	48.26	43.93	41.91	44.93	46.33	46.90	46.13
M55-60X8042R	55.88	51.55	49.53	52.55	53.95	54.52	53.75

MGP	7	13.07.22	31688
NAME	ISS.	DATE	CN/CO
APPROVED: MGP			
CHECKED: MR			
DRAWN: M.PERREN			
CUSTOMER REF.:			
ASSEMBLY DRG:			

NOTES:
 1. SEE ORDER CODE AND SHEET 5 FOR CONNECTOR HEIGHT AND CAP DETAILS. SEE SHEET 7 FOR RECOMMENDED PCB LAYOUTS.
 2. FOR TAPE AND REEL DETAILS, SEE SHEET 6.
 3. ALL TOLERANCES ARE ±0.20, UNLESS OTHERWISE STATED.
 4. FOR COMPLETE SPECIFICATION SEE COMPONENT SPECIFICATION C047XX (LATEST ISSUE).

HARWIN
 www.harwin.com
 technical@harwin.com

THIS DRAWING AND ANY INFORMATION OR DESCRIPTIVE MATTER SET OUT HEREON ARE CONFIDENTIAL AND COPYRIGHT PROPERTY OF THE HARWIN GROUP AND MUST NOT BE DISCLOSED, LOANED, COPIED OR USED FOR MANUFACTURING, TENDERING OR FOR ANY OTHER PURPOSE WITHOUT THEIR WRITTEN PERMISSION.

TOLERANCES
 X = ±1mm
 X.X = ±0.50mm
 X.XX = ±0.20mm
 X.XXX = ±0.01mm
 ANGLES = ±5°
 UNLESS STATED

MATERIAL: SEE ABOVE
 FINISH: SEE ABOVE
 S/AREA: mm²

TITLE: 1.27mm PITCH VERTICAL FEMALE CONNECTOR
 DRAWING NUMBER: **M55-60XXX42R**
 SHT 4 OF 7

Customer Information Sheet

DRAWING No.: M55-60XXX42R

IF IN DOUBT - ASK

©

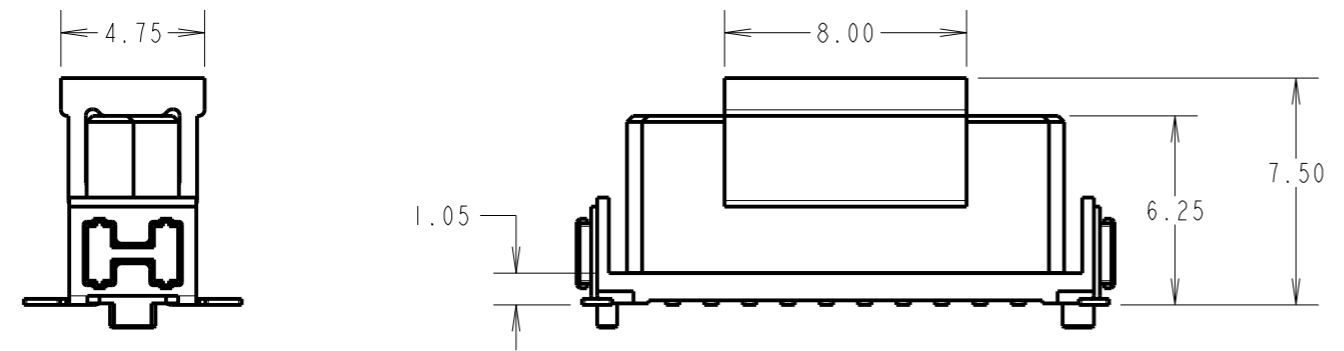
NOT TO SCALE

THIRD ANGLE PROJECTION

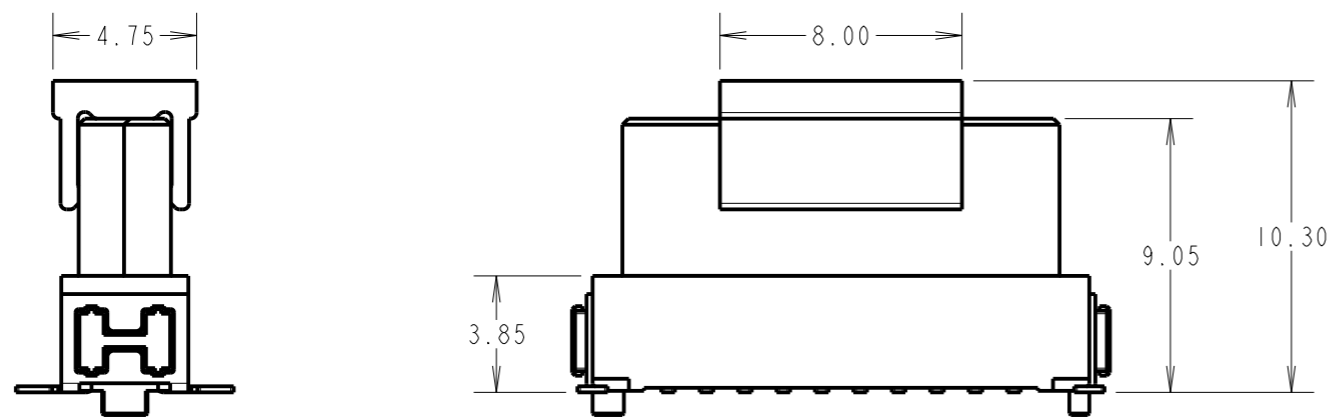
ALL DIMENSIONS IN mm

CONNECTOR HEIGHT DETAILS

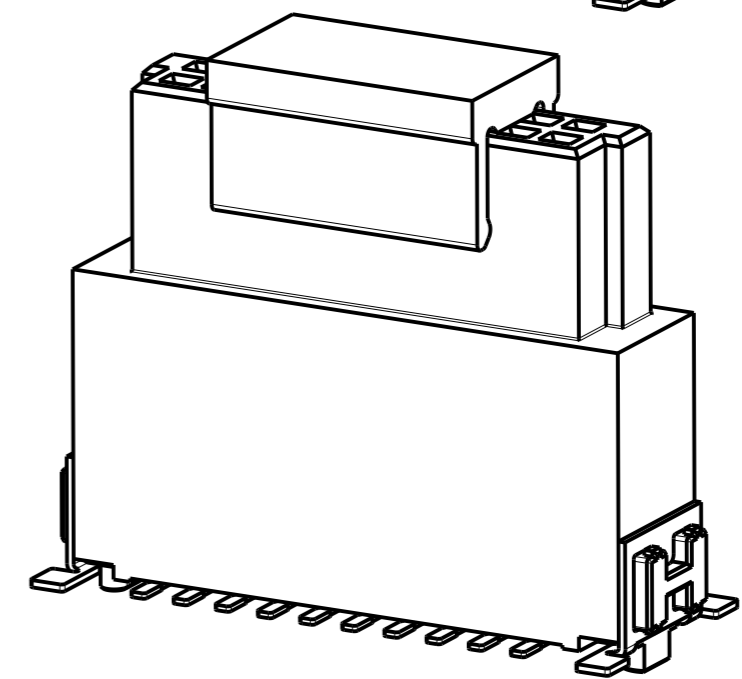
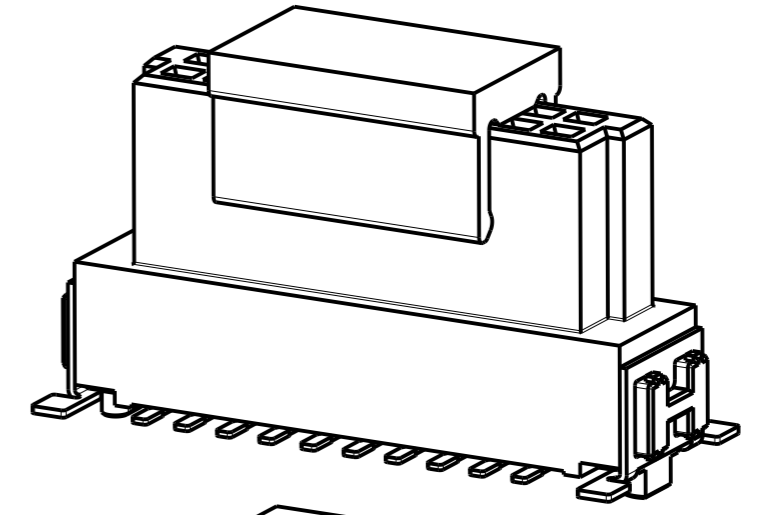
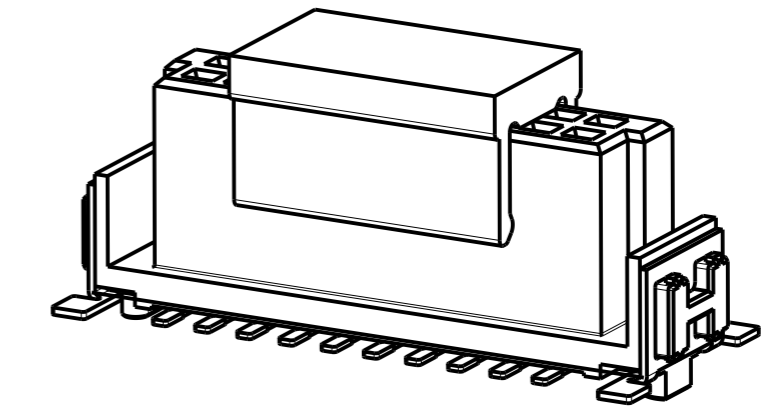
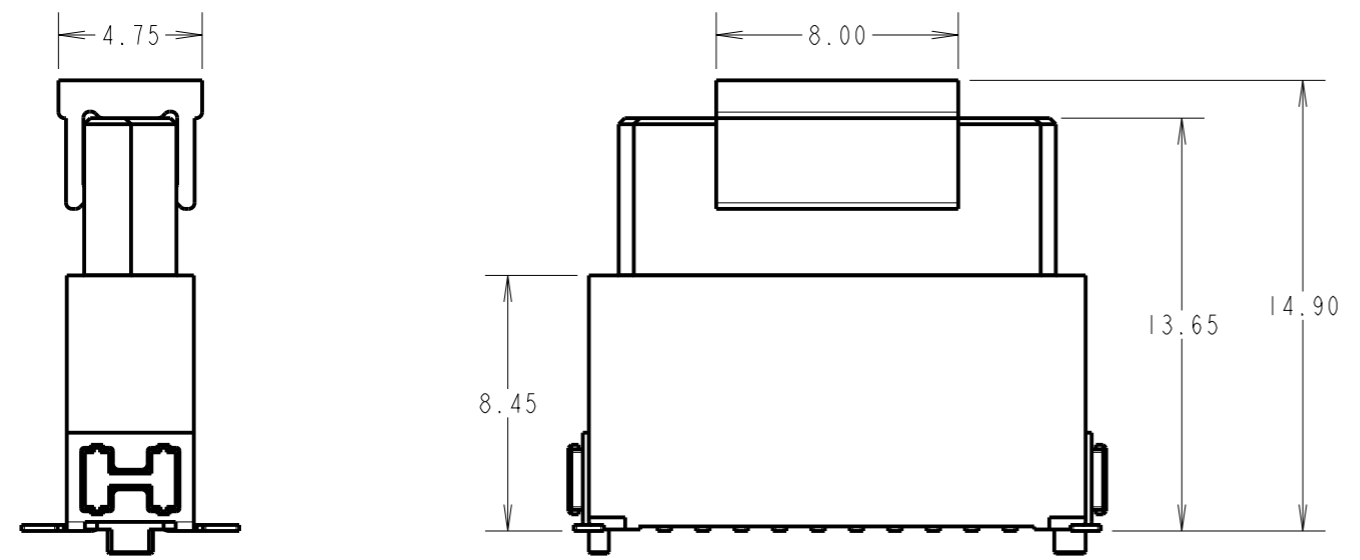
M55-600XX42R



M55-601XX42R



M55-602XX42R



MGP	7	13.07.22	31688
NAME	ISS.	DATE	CN/CO
APPROVED: MGP			
CHECKED: MR			
DRAWN: M.PERREN			
CUSTOMER REF.:			
ASSEMBLY DRG:			

NOTES:
1. ALL TOLERANCES ARE ± 0.20 , UNLESS OTHERWISE STATED.

HARWIN
www.harwin.com
technical@harwin.com

THIS DRAWING AND ANY INFORMATION OR DESCRIPTIVE MATTER SET OUT HEREON ARE CONFIDENTIAL AND COPYRIGHT PROPERTY OF THE HARWIN GROUP AND MUST NOT BE DISCLOSED, LOANED, COPIED OR USED FOR MANUFACTURING, TENDERING OR FOR ANY OTHER PURPOSE WITHOUT THEIR WRITTEN PERMISSION.

TOLERANCES
X. = ± 1 mm
X.X = ± 0.50 mm
X.XX = ± 0.20 mm
X.XXX = ± 0.01 mm
ANGLES = $\pm 5^\circ$
UNLESS STATED

MATERIAL:
SEE SHEET 4
FINISH: SEE SHEET 4
S/AREA: mm²

TITLE:
1.27mm PITCH VERTICAL FEMALE CONNECTOR
DRAWING NUMBER:
M55-60XXX42R
SHT 5 OF 7

Customer Information Sheet

DRAWING No.: M55-60XXX42R

IF IN DOUBT - ASK

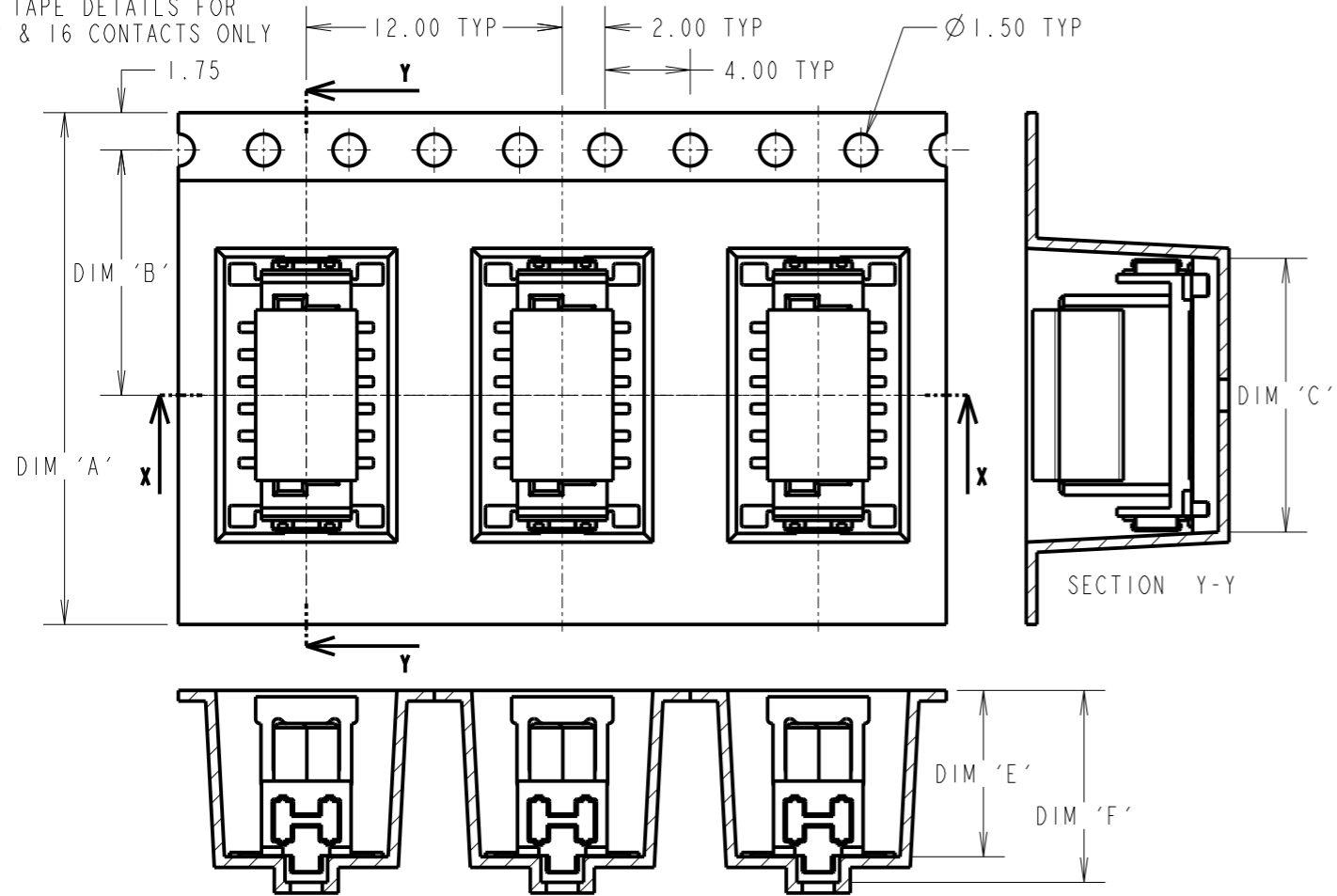
©

NOT TO SCALE

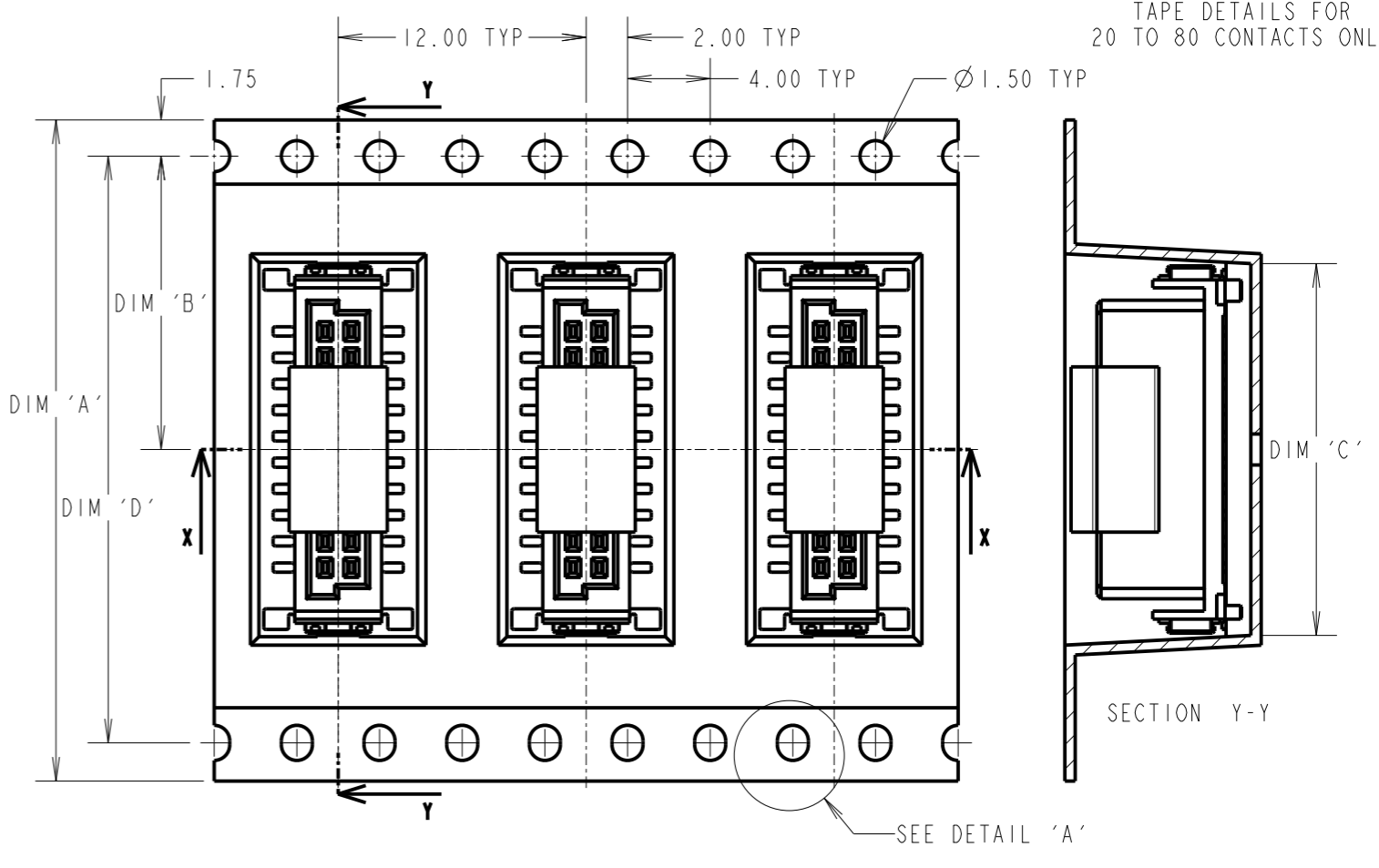
THIRD ANGLE PROJECTION

ALL DIMENSIONS IN mm

TAPE DETAILS FOR 12 & 16 CONTACTS ONLY



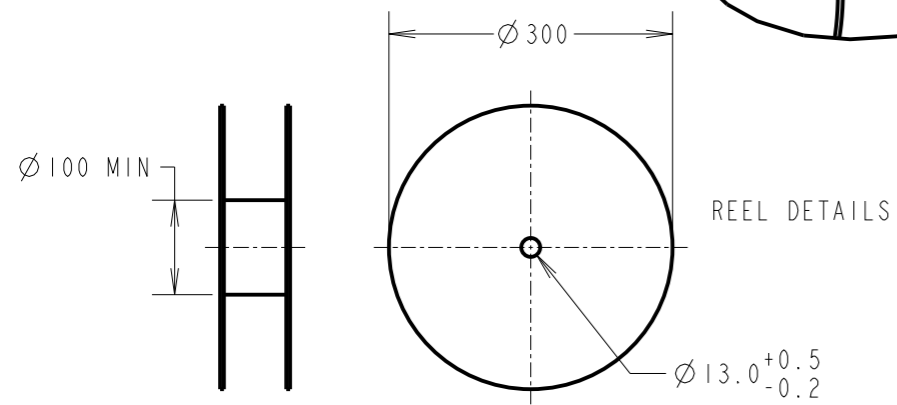
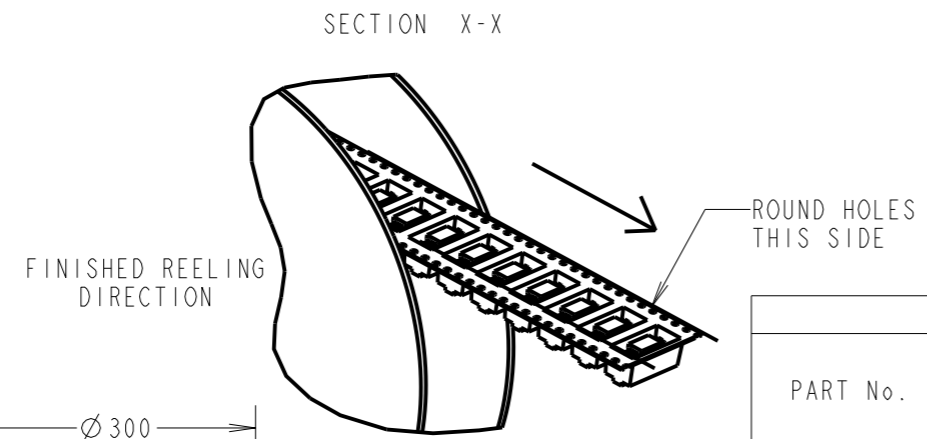
TAPE DETAILS FOR 20 TO 80 CONTACTS ONLY



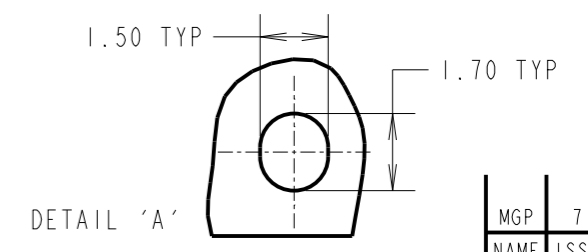
ORDER CODE: **M55-60XXX42R**

CONNECTOR HEIGHT:
 0 = 6.25
 1 = 9.05
 2 = 13.65

TOTAL No. OF CONTACTS:
 12, 16, 20, 26,
 32, 40, 50, 68, 80



PART No.	DIMENSION			
	DIM 'A' ±0.30	DIM 'B'	DIM 'C' ±0.15	DIM 'D'
M55-60X1242R	24.00	11.50	12.90	N/A
M55-60X1642R				
M55-60X2042R	32.00	14.20	18.00	28.40
M55-60X2642R				
M55-60X3242R	44.00	20.20	21.79	40.40
M55-60X4042R				
M55-60X5042R	56.00	26.20	37.03	52.40
M55-60X6842R			48.46	
M55-60X8042R	72.00	34.20	56.08	68.40



PART No.	DIMENSION		PACK QTY
	DIM 'E'	DIM 'F'	
M55-600XX42R	7.8	9.0	550
M55-601XX42R	10.6	11.7	400
M55-602XX42R	15.2	16.4	200

MGP	7	13.07.22	31688
NAME	ISS.	DATE	CN/CO
APPROVED: MGP			
CHECKED: MR			
DRAWN: M.PERREN			
CUSTOMER REF.:			
ASSEMBLY DRG:			

NOTES:
 1. PRODUCT IS TAPE AND REELED IN GENERAL ACCORDANCE WITH EIA-481 (ELECTRONIC INDUSTRIES ASSOCIATION).
 2. FOR CONNECTOR DETAILS, SEE SHEET 4 & 5.

HARWIN
 www.harwin.com
 technical@harwin.com

THIS DRAWING AND ANY INFORMATION OR DESCRIPTIVE MATTER SET OUT HEREON ARE CONFIDENTIAL AND COPYRIGHT PROPERTY OF THE HARWIN GROUP AND MUST NOT BE DISCLOSED, LOANED, COPIED OR USED FOR MANUFACTURING, TENDERING OR FOR ANY OTHER PURPOSE WITHOUT THEIR WRITTEN PERMISSION.

TOLERANCES
 X. = ±1mm
 X.X = ±0.50mm
 X.XX = ±0.20mm
 X.XXX = ±0.01mm
 ANGLES = ±5°
 UNLESS STATED

MATERIAL:
 SEE SHEET 4
 FINISH: SEE SHEET 4
 S/AREA: mm²

TITLE:
 1.27mm PITCH VERTICAL FEMALE CONNECTOR
 DRAWING NUMBER:
M55-60XXX42R
 SHT 6 OF 7

Customer Information Sheet

DRAWING No.: M55-60XXX42R

IF IN DOUBT - ASK

©

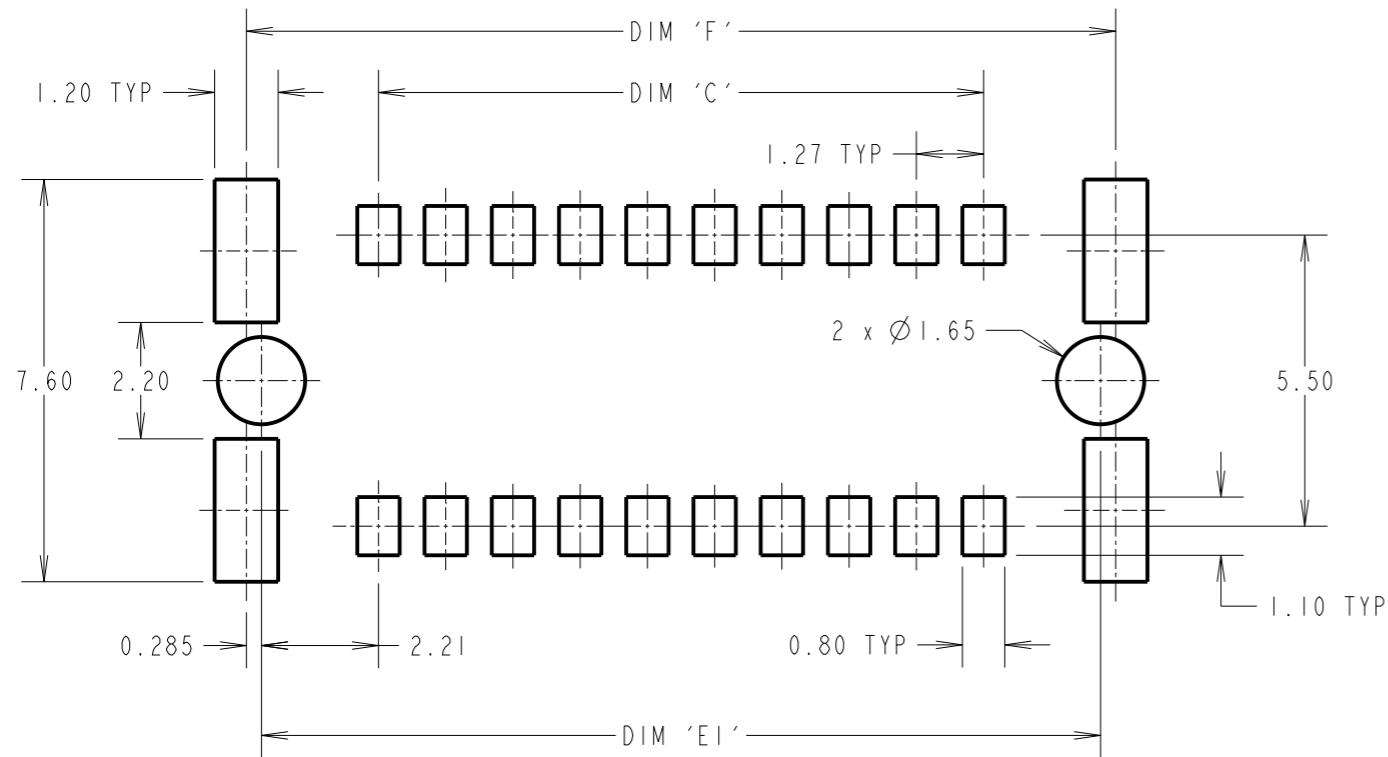
NOT TO SCALE

THIRD ANGLE PROJECTION

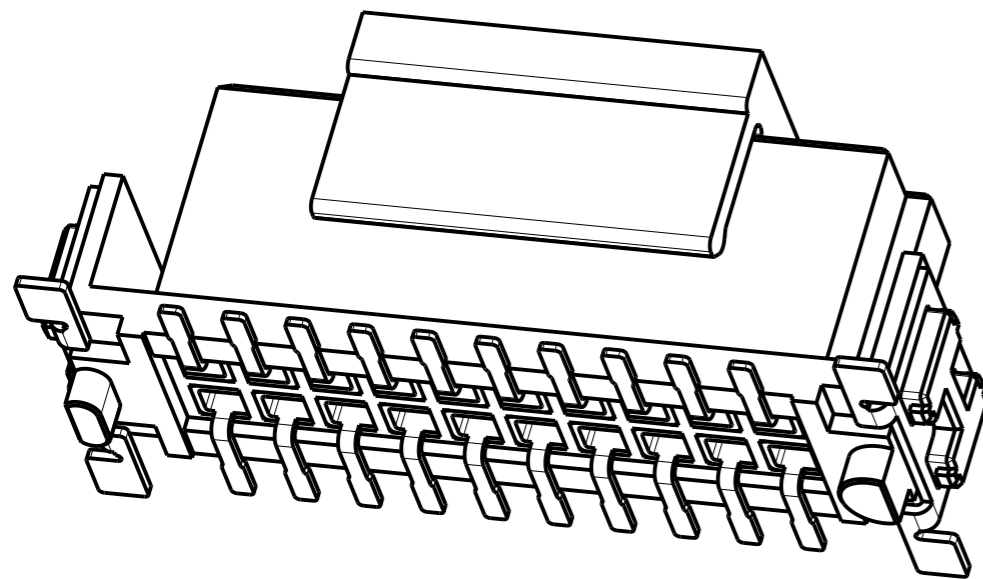
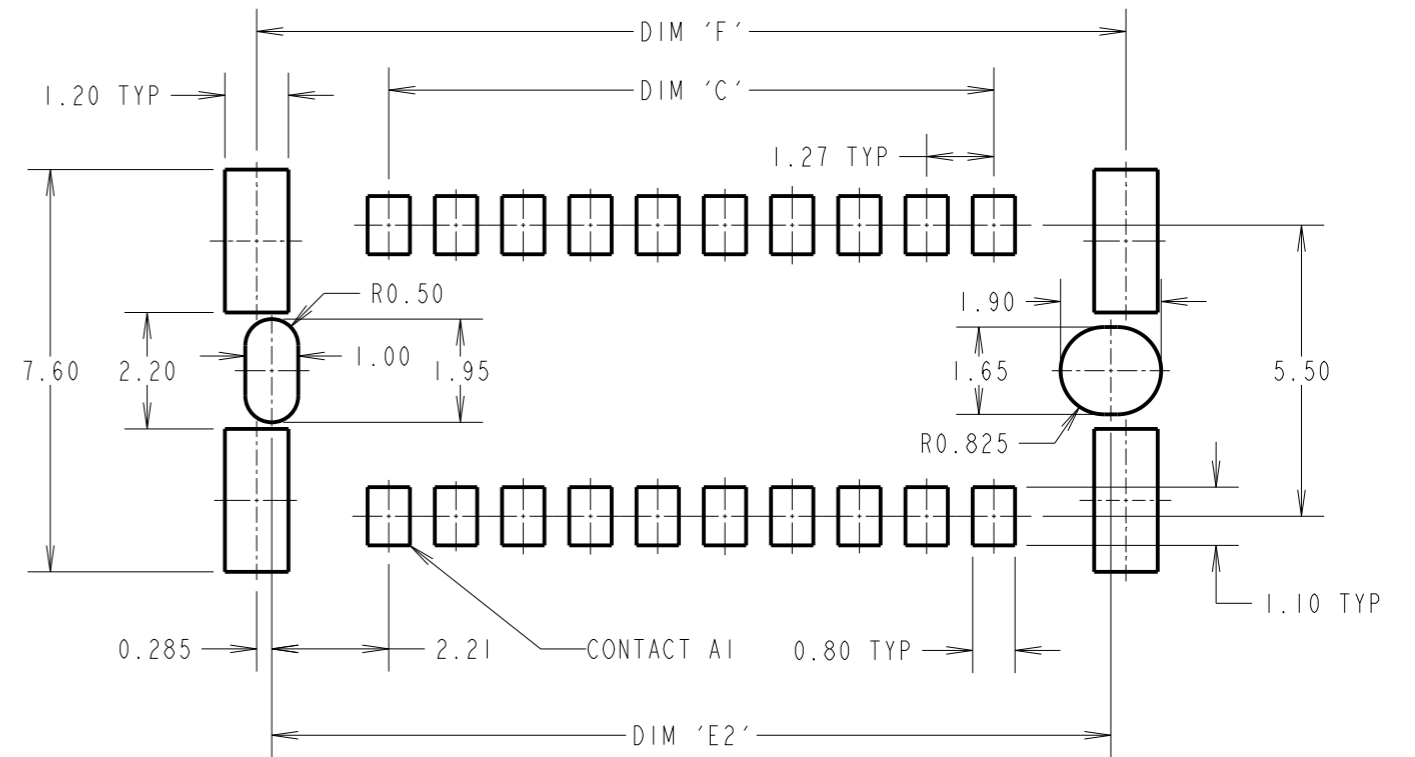
ALL DIMENSIONS IN mm

ROUND AND POLARIZED RECOMMENDED PCB LAYOUTS OPTIONS

RECOMMENDED ROUND HOLE PCB LAYOUT
TOLERANCE = ± 0.05



RECOMMENDED POLARIZED HOLE PCB LAYOUT
TOLERANCE = ± 0.05



ORDER CODE:

M55-60XXX42R

CONNECTOR HEIGHT:

- 0 = 6.25
- 1 = 9.05
- 2 = 13.65

TOTAL No. OF CONTACTS:

- 12, 16, 20, 26,
- 32, 40, 50, 68, 80

PART No.	DIM 'C'	DIM 'E1'	DIM 'E2'	DIM 'F'
M55-60X1242R	6.35	10.77	10.70	11.34
M55-60X1642R	8.89	13.31	13.24	13.88
M55-60X2042R	11.43	15.85	15.78	16.42
M55-60X2642R	15.24	19.66	19.59	20.23
M55-60X3242R	19.05	23.47	23.40	24.04
M55-60X4042R	24.13	28.55	28.48	29.12
M55-60X5042R	30.48	34.90	34.83	35.47
M55-60X6842R	41.91	46.33	46.26	46.90
M55-60X8042R	49.53	53.95	53.88	54.52

MGP	7	13.07.22	31688
NAME	ISS.	DATE	CN/CO
APPROVED: MGP			
CHECKED: MR			
DRAWN: M.PERREN			
CUSTOMER REF.:			
ASSEMBLY DRG:			

HARWIN

www.harwin.com
technical@harwin.com

THIS DRAWING AND ANY INFORMATION OR DESCRIPTIVE MATTER SET OUT HEREON ARE CONFIDENTIAL AND COPYRIGHT PROPERTY OF THE HARWIN GROUP AND MUST NOT BE DISCLOSED, LOANED, COPIED OR USED FOR MANUFACTURING, TENDERING OR FOR ANY OTHER PURPOSE WITHOUT THEIR WRITTEN PERMISSION.

TOLERANCES
X = ± 1 mm
X.X = ± 0.50 mm
X.XX = ± 0.20 mm
X.XXX = ± 0.01 mm
ANGLES = $\pm 5^\circ$
UNLESS STATED

MATERIAL:

SEE ABOVE

FINISH:

SEE ABOVE

S/AREA:

mm²

TITLE:

1.27mm PITCH VERTICAL FEMALE CONNECTOR

DRAWING NUMBER:

M55-60XXX42R

SHT
7 OF 7