



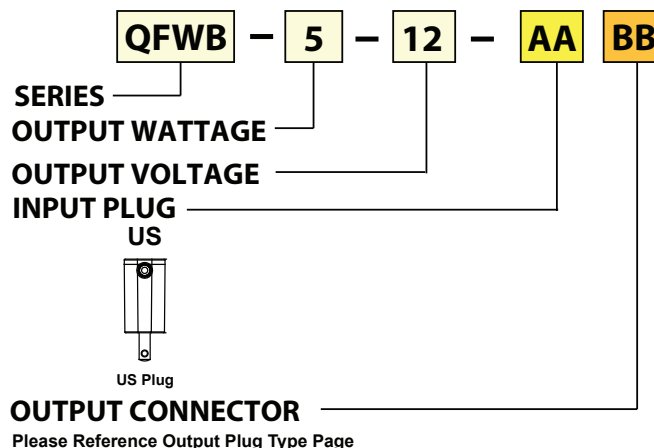
Features:

- Universal AC input/ Full Range
- Energy Efficiency Level VI
- Output Protections: SCP/OCP
- No Load Power Consumption <0.1W
- 1 Year Warranty

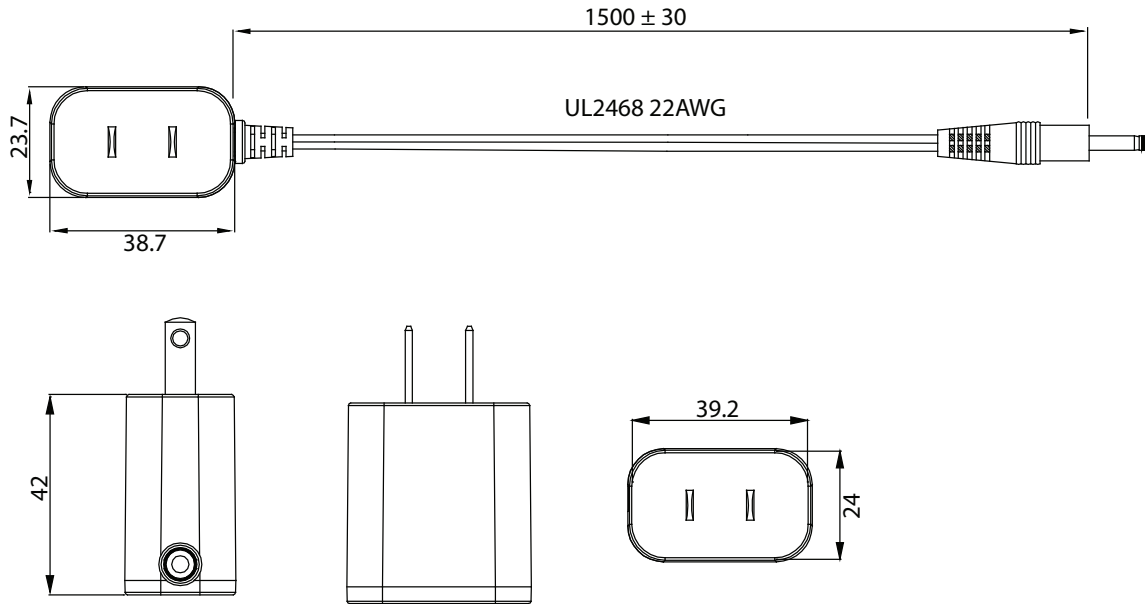


| Model | QFWB-5-5 | QFWB-5-5.9 | QFWB-5-7 | QFWB-5-8 | QFWB-5-9 | QFWB-5-10 | QFWB-5-12 | QFWB-5-15 | QFWB-5-18 | QFWB-5-24 |
|--------------------------------------|--|------------|----------|----------|----------|-----------|-----------|-----------|-----------|-----------|
| Output Characteristics | | | | | | | | | | |
| DC Output | 5V | 5.9V | 7V | 8V | 9V | 10V | 12V | 15V | 18V | 24V |
| Rated Current | 1.2A | 1.0A | 0.85A | 0.75A | 0.66A | 0.60A | 0.50A | 0.40A | 0.33A | 0.25A |
| Ripple and Noise | 200mV Max | | | | | | | | | |
| Load Regulation (Typ.) | ±5% | | | | | | | | | |
| Turn On Delay | 3S Max | | | | | | | | | |
| Hold-up Time (Typ.) | 10mS @ Rated Load 115VAC, 20mS @ Rated Load 230VAC | | | | | | | | | |
| Output Protection | Short Circuit, Over Current | | | | | | | | | |
| Ferrite Core | No | | | | | | | | | |
| Input Characteristics | | | | | | | | | | |
| Voltage Range | 100VAC~240VAC | | | | | | | | | |
| Frequency Range | 50Hz-60Hz | | | | | | | | | |
| Efficiency | DoE Level VI, Energy Star | | | | | | | | | |
| AC Current (max) | 0.25A | | | | | | | | | |
| Input Protection | Internal Primary Current Fuse, Inrush Limiting | | | | | | | | | |
| Leakage Current | 0.25mA @ 264VAC/50Hz | | | | | | | | | |
| Environmental Characteristics | | | | | | | | | | |
| Operating Temperature | 0°C~40°C | | | | | | | | | |
| Operating Relative Humidity | 10% RH to 80% RH | | | | | | | | | |
| Storage Temperature | -20°C~80°C, 5% RH to 95% RH | | | | | | | | | |
| Topology | Switching Flyback | | | | | | | | | |
| Dielectric Withstand | 3000VAC/10mA Primary-Secondary | | | | | | | | | |
| EMI Conduction & Radiation | Compliance to EN55022 Class B, FCC Part 15 Class B | | | | | | | | | |
| Harmonic Current | Compliance to EN61000-3-2, 3 | | | | | | | | | |
| EMS Immunity | Compliance to IEC61000-4-2, 3, 4, 5, 6, 8, 11 | | | | | | | | | |
| Characteristics | | | | | | | | | | |
| MTBF | 50,000Hrs (25°C, Telecordia SR-332) | | | | | | | | | |
| Dimension (LxWxH) | 42x23.7x42mm | | | | | | | | | |
| Weight | 55g | | | | | | | | | |

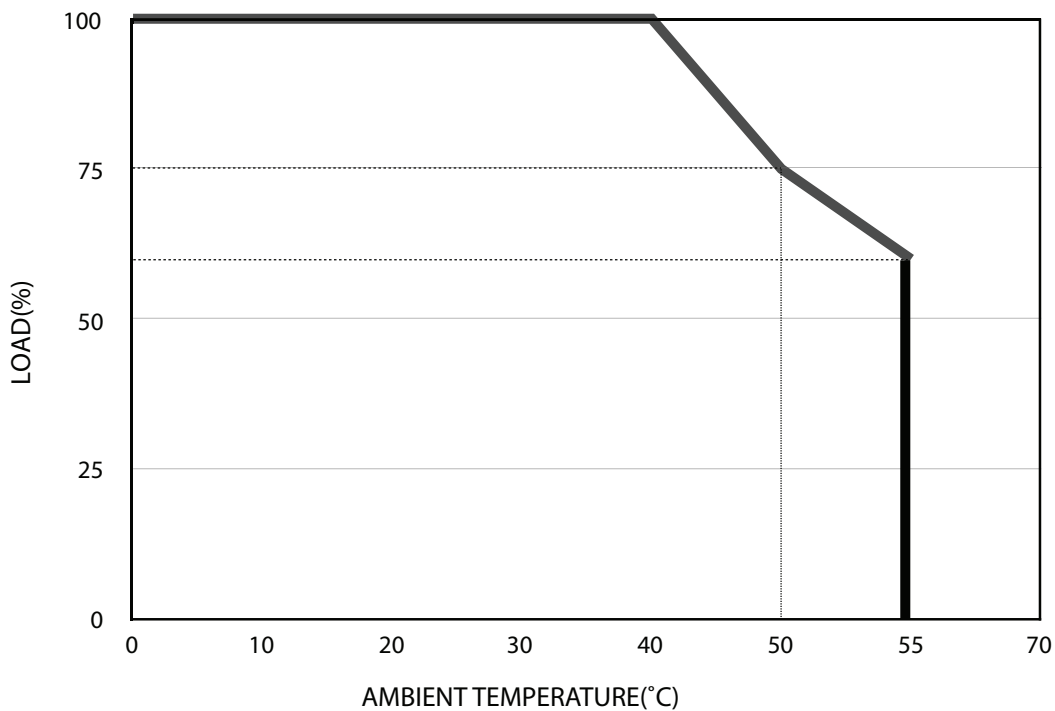
PART NUMBER SYSTEM



MECHANICAL SPECIFICATIONS



DERATING CURVE



UNIT: mm