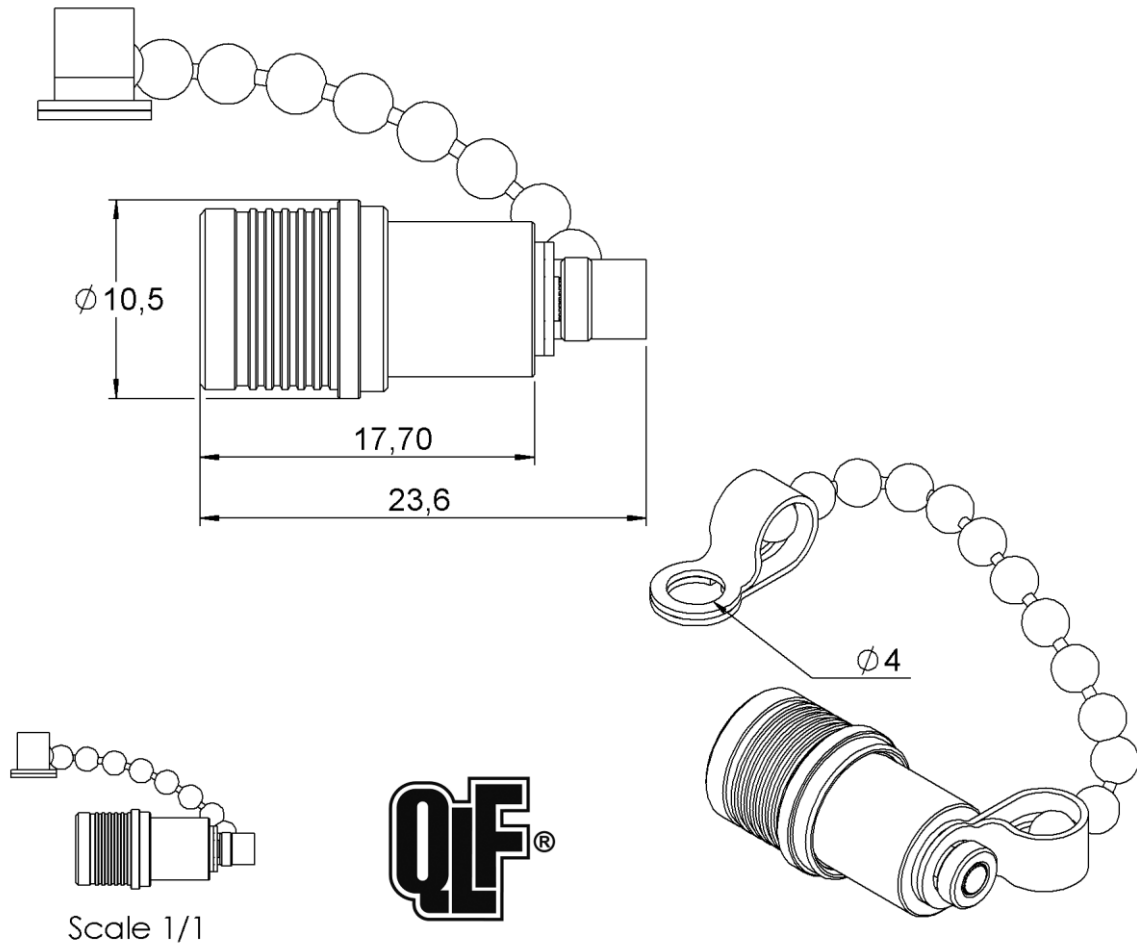
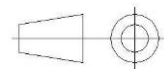


PAGE 1/2	ISSUE 09-05-17B	SERIES TERMINATION	PART NUMBER R404114120
----------	------------------------	------------------------------	-------------------------------

Bead Chain length : 70 mm



All dimensions are in mm.



COMPONENTS	MATERIALS	PLATING (µm)
Body	BRASS	BBR
Center contact	BRASS	GOLD OVER COPPER
Outer contact	BRONZE	BBR
Insulator	PTFE	
Gasket		
Substrate	ALUMINA	
Resistor	THICK FILM	
Others parts		

PAGE 2/2	ISSUE 09-05-17B	SERIES TERMINATION	PART NUMBER R404114120
----------	------------------------	------------------------------	-------------------------------

ELECTRICAL CHARACTERISTICS

Frequency (GHz)	DC - 1	1 - 4
V.S.W.R (≤)	1.08	1.20

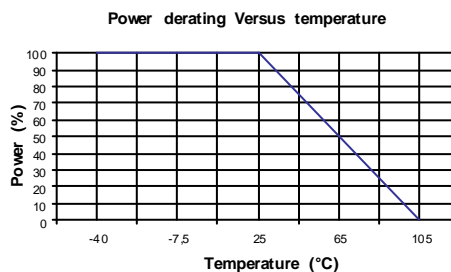
Operating Frequency Range	DC - 4	GHz
Impedance	50	Ω
DC Resistance	50	Ω ± 5%
Peak power at 25°C (1μs, 1%)	100	W
Average power at 25°C	1	W (Free Air Cooled)
		W (Conduction Cooled)

MECHANICAL CHARACTERISTICS

Connectors	QMA	Male	
Weight	8,1600 g		

ENVIRONMENTAL CHARACTERISTICS

Operating temperature range	-40/+105	°C
Storage temperature range	-40/+105	°C



SPECIFICATION

OTHER CHARACTERISTICS