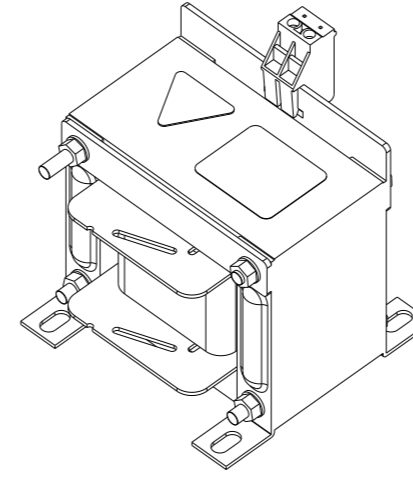
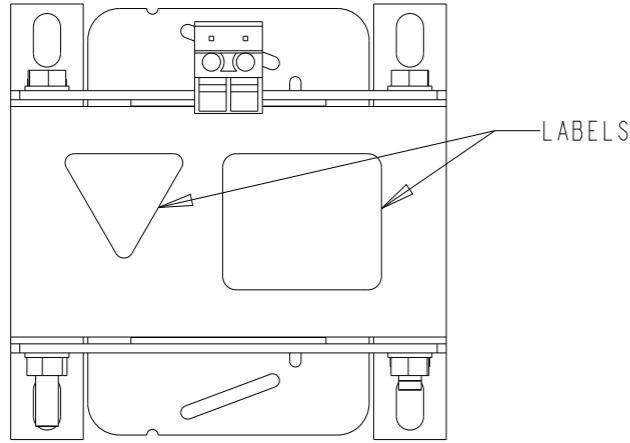
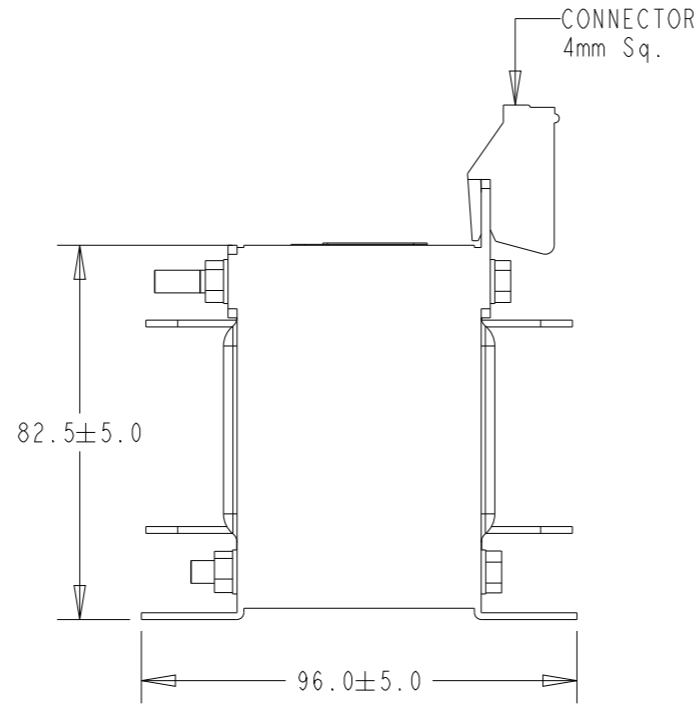
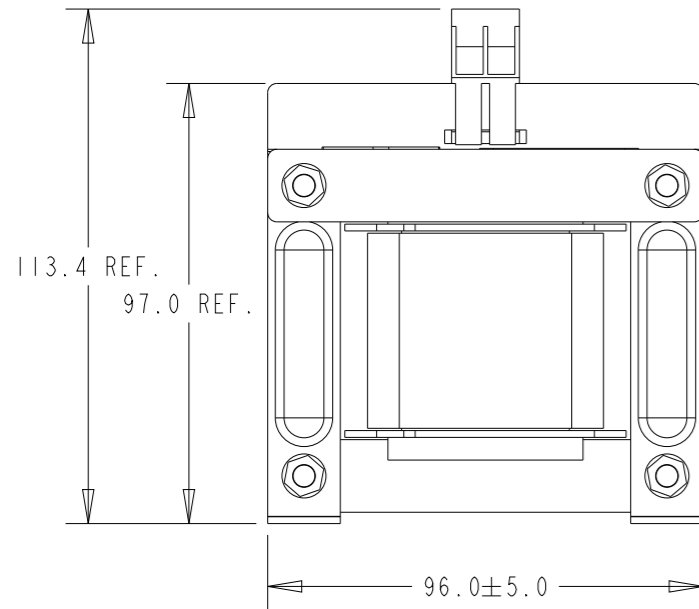


P	LTR	DESCRIPTION	DATE	DWN	APVD
	A	RELEASED FOR PRODUCTION	10FEB2023	DM	CB
	AI	ADDING PRODUCT DATA	07MAR2023	DM	CB



NOMINAL OPERATING VOLTAGE (VAC)	230
RATED OPERATING VOLTAGE (VAC)	250
FREQUENCY (Hz)	50 / 60
RATED CURRENT (AMPS)	30
OP. TEMP. RANGE @ RATED CURRENT	-45°C to +45°C
RATED POWER @ 230VAC (kW)	6.21
RATED POWER @ 230VAC (HP)	8.32
IMPEDANCE @ 230VAC (%)	4
INDUCTANCE, NOMINAL (mH)	0.976
POWER OVERLOAD, 1 MINUTE EVERY HOUR	1.6
VOLTAGE WITHSTAND 1 MINUTE (kVAC)	2
POLLUTION DEGREE	PD2
COOLING	NATURAL
PROTECTION CLASS	IP00
INSULATION CLASS	N
STORAGE TEMPERATURE RANGE (°C)	-45°C to +100°C
CLIMATIC CATEGORY	45/100/21
DESIGN CORRESPONDING TO	EN61558-2-20, EN60076-6, UL61800-5-1



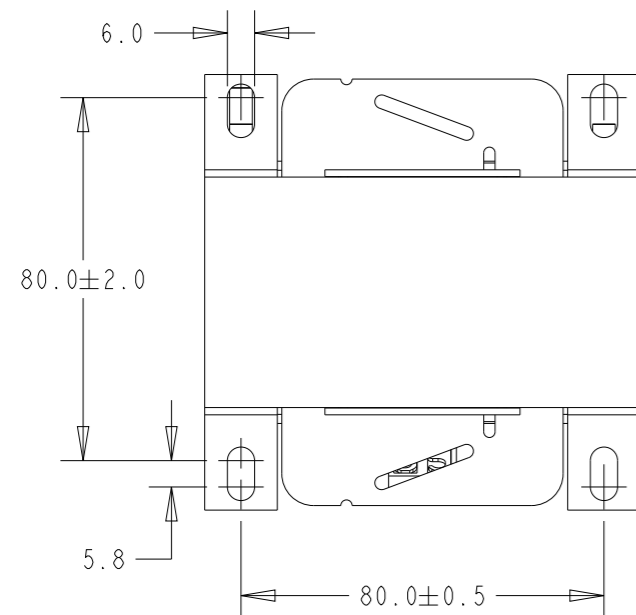
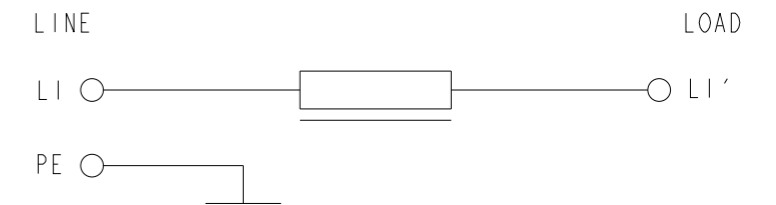
PRODUCT DESIGN NOTE

DESIGN IN ACCORDANCE WITH UL 508

DE-RATING FORMULAE FOR OPERATION ABOVE 45°C AMBIENT CONDITIONS:

$$I = I_n \sqrt{\frac{100 - T_{a\ new}}{100 - 45}}$$

TYPICAL CIRCUIT DIAGRAM



RoHS COMPLIANT

THIS DRAWING IS A CONTROLLED DOCUMENT.		DWN C. BOLLE 05OCT2022		
		CHK C. BOLLE 05OCT2022		
		APVD L. RAJ 05OCT2022	NAME RPO-1-30 SINGLE LINE REACTOR	
DIMENSIONS: mm		TOLERANCES UNLESS OTHERWISE SPECIFIED:		PRODUCT SPEC -
		0 PLC ±-	APPLICATION SPEC -	
		1 PLC ±0.1	WEIGHT -	
		2 PLC ±0.01	SIZE A3	
		3 PLC ±0.001	CAGE CODE 00779	
		4 PLC ±0.0001	DRAWING NO C-2432408-9	
		ANGLES ±-	RESTRICTED TO -	
MATERIAL -		FINISH -	SCALE 1:1	
			SHEET 1 OF 1	
			REV AI	
		CUSTOMER DRAWING		