

Getting Started With The Traveo™ Family S6J3110 Series

Author: Masahiro Niimi

Associated Part Family: [Traveo Family S6J3110 Series](#)

Related Documents: For a complete list, [Related Documents](#)

AN203911 describes the development tools available for the Traveo™ Family S6J3110 Series.

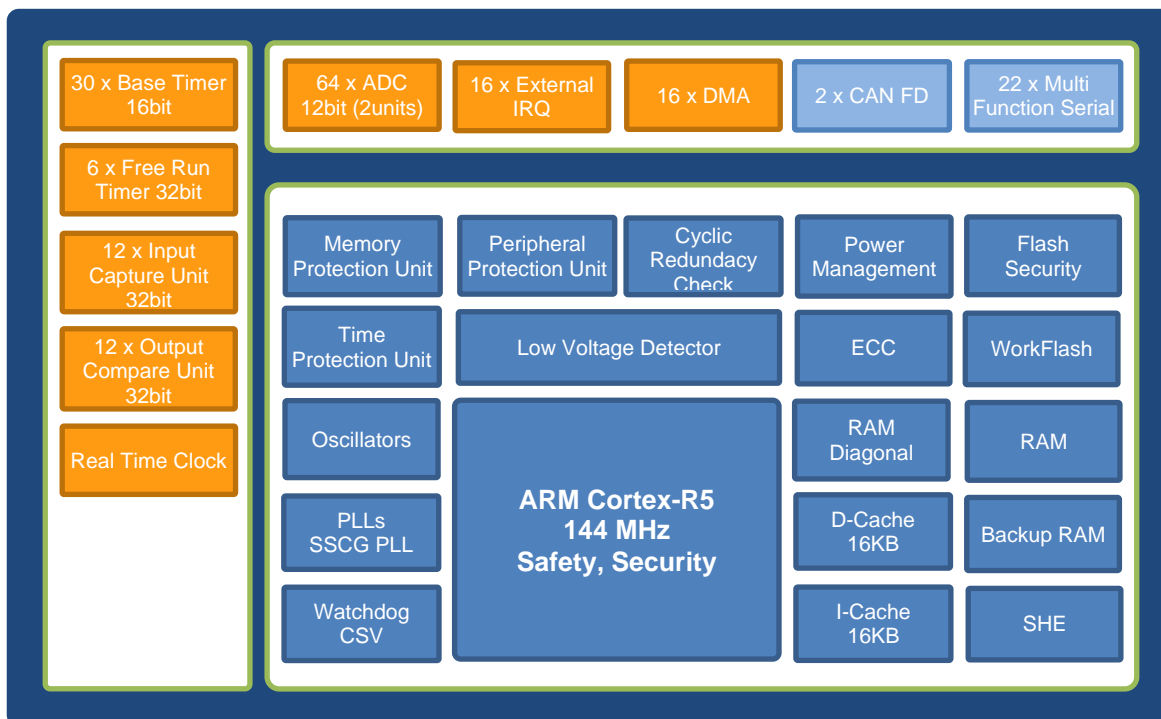
1 Introduction

This application note describes the development environment and tools for the Traveo™ Family S6J3110 Series. This series includes an ARM Cortex-R5 CPU core, Secure Hardware Extension (SHE), CAN FD, memory, and analog and digital peripheral functions in a single chip supplied by a 5-V single power supply. The product lineup of the S6J3110 series features 176-pin and 144-pin packages and memory size variations. Refer to the [fact sheet](#) and [data sheet](#) for more details.

2 Traveo™ Family S6J3110 Series Feature Set

The Traveo S6J3110 Series features a single ARM Cortex-R5. The S6J3110 incorporates the high-performance CAN FD interface for enhanced in-vehicle networking and is focused on various automotive applications. [Figure 1](#) shows many peripheral resources.

Figure 1. Traveo™ Family S6J3110 Series Block Diagram



Below is a list of major features of the S6J3110 series. For more information, see the [related documents](#).

Features:

- Up to 144MHz ARM® Cortex®-R5 core
- Including a DMA controller and a SHE (Secure Hardware Extension) for encryption engine.
- Including Flash memory for code and data, and System SRAM, Backup RAM, and TCRAM.
 Flash memory for program code: up to 4MB, for work data: up to 112KB.
 System SRAM: up to 256KB, Backup RAM: up to 64KB, TCRAM: 64KB
- 12-bits A/D Converter, CAN FD, several Timers, MFS (Lin, UART, CSIO, I²C) and peripheral functions included.
- JTAG I/F for debug and programming user programs are included.

3 Development Environment and Tools

3.1 Evaluation Board

Cypress provides a wealth of evaluation boards to help you get started using an MCU. The S6J3110 series evaluation board works alone, but it also connects to a main board. The main board is common use to the FR81S Family products and F²MC-16FX Family MB96600 Series. This board has useful ports including LIN, CAN, UART, and more.

Contact your sales representative or [Cypress Technical Support](#), if you want to buy the evaluation board.

[Table 2](#) lists the current available part numbers for the S6J3110 series evaluation boards. [Table 3](#) lists the main board.

Table 2. S6J3110 Series Evaluation Boards

Part Number	S6T3J300111A176A2	S6T3J300112A144A2	S6T3J300113A144A2
Description	Evaluation board for S6J311EJAB mounted	Evaluation board for S6J311EHAB mounted	Evaluation board for S6J311AHAB mounted
Pins	176	144	144
CAN FD port	2ch	1ch	1ch
LIN port	1ch	1ch	1ch
UART port	1ch	1ch	1ch
Debug port	JTAG ARM 20	JTAG ARM 20	JTAG ARM 20
Switches	RESET, NMI, INT	RESET, NMI, INT	RESET, NMI, INT

Table 3. Evaluation board (main board)

Part Number	MB2198-760-E
Description	MCU Evaluation board (main Board) Connect to the S6J3110 Series evaluation board and F ² MC-16FX/FR Family board
Connector	LIN I/F 2ch, CAN I/F 2ch, RS I/F 2ch, USB
Switches	Reset, NMI, INT

For more information for main board, see the [operation manual](#).

3.2 Sample software

Contact your sales representative or [Cypress Technical Support](#), if you want to use the sample software.

3.3 Debugging Tools

Debugging tools are provided by third parties, as listed in [Table 4](#) Cypress provides sample software (template project and sample driver) for each tool. The template project includes IO header files, startup setting, and some sample sources. It is very helpful to start using the S6J3110 series with the evaluation board and tools. The sample driver includes some sources for peripheral features of the S6J3110 series.

Note: Cypress software such as AUTOSAR is designed for using with MULTI of Green Hills Software.

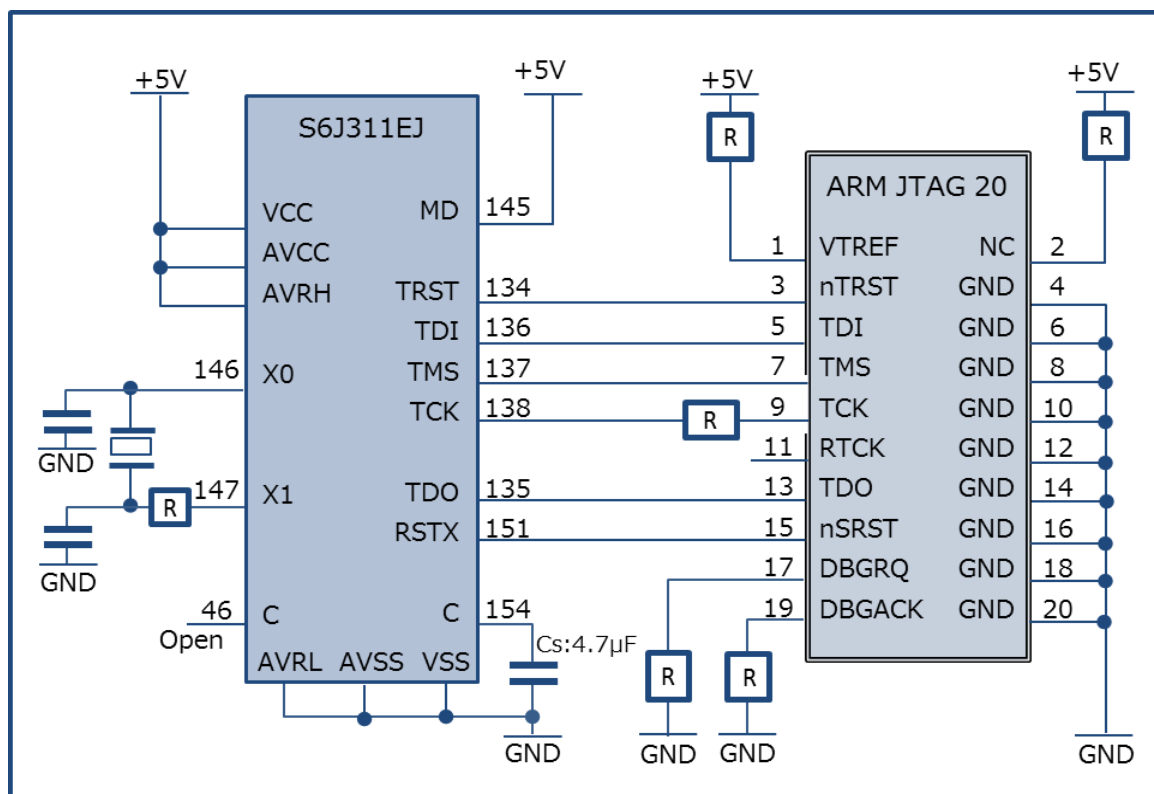
Table 4. Debugging Tools

Vendor	Software (Integrated Development Environment)	Hardware (Debugging Tools)
Green Hills Software	MULTI v2013.5.4 or later	Green Hills Probe
IAR Systems	IAR Embedded Workbench for ARM (EWARM) v7.30.4 or later	I-jet

4 Connection Diagram and Operation Mode

The S6J3110 series has JTAG ports to connect with a debugging tool, but the nSRST JTAG port is not supported in this series. Therefore, nSRST should be connected to the RSTX port of this product, if needed. [Figure 5](#) shows a basic connection diagram for S6J311EJ.

Figure 5. S6J311EJ Basic Connection Diagram with ARM JTAG 20



The S6J3110 series has a User mode and Serial Write modes. [Figure 5](#) shows the User mode connection. The Serial Write modes use P020 and P022 with the MD port. [Table 6](#) lists the operation modes combined with the MD, P020, and P022 ports.

Serial Write mode (sync, async) supports writing a user program to the flash memory included in the MCU through the UART connection. The PC and target MCU are connected via a serial cable. Cypress provides flash program software that works on the PC, and both the main and sub evaluation boards have a UART port. Contact your sales representative or [Cypress Technical Support](#), if you want to evaluate the flash program software.

In addition, a flash memory programmer provided by Yokogawa Digital Computer (YDC) supports writing a user program to the flash memory using a serial port in the S6J3110 series.

Table 6. Operation Modes

Operation Mode	MD Pin	P020	P022
User mode	1	–	–
Serial Write mode (Sync)	0	1	0
Serial Write mode (Async)	0	1	1

5 Summary

Cypress provides a wealth of evaluation boards and sample software to help you to get started with Traveo. To evaluate S6J3110 series evaluation boards, contact your sales representative or [Cypress Technical Support](#).

6 Related Documents

[S6J3110 Series 32-bit Microcontroller Traveo Family Fact Sheet](#)

[S6J3110 Series 32-bit Microcontroller Traveo Family Data Sheet](#)

[S6J3110 Series 32-Bit Microcontroller Traveo Family Hardware Manual \(Contact \[Technical Support\]\(#\)\)](#)

Document History

Document Title: AN203911 - Getting Started with the Traveo™ Family S6J3110 Series

Document Number: 002-03911

Revision	ECN	Orig. of Change	Submission Date	Description of Change
**	5003893	MXNI	05/20/2016	New application note.
*A	5840737	AESATMP9	08/01/2017	Updated logo and copyright.

Worldwide Sales and Design Support

Cypress maintains a worldwide network of offices, solution centers, manufacturer's representatives, and distributors. To find the office closest to you, visit us at [Cypress Locations](#).

Products

ARM® Cortex® Microcontrollers	cypress.com/arm
Automotive	cypress.com/automotive
Clocks & Buffers	cypress.com/clocks
Interface	cypress.com/interface
Internet of Things	cypress.com/iot
Memory	cypress.com/memory
Microcontrollers	cypress.com/mcu
PSoC	cypress.com/psoc
Power Management ICs	cypress.com/pmichip
Touch Sensing	cypress.com/touch
USB Controllers	cypress.com/usb
Wireless Connectivity	cypress.com/wireless

PSoC® Solutions

[PSoC 1](#) | [PSoC 3](#) | [PSoC 4](#) | [PSoC 5LP](#) | [PSoC 6](#)

Cypress Developer Community

[Forums](#) | [WICED IOT Forums](#) | [Projects](#) | [Videos](#) | [Blogs](#) | [Training](#) | [Components](#)

Technical Support

cypress.com/support

All other trademarks or registered trademarks referenced herein are the property of their respective owners.



Cypress Semiconductor
198 Champion Court
San Jose, CA 95134-1709

© Cypress Semiconductor Corporation, 2016-2017. This document is the property of Cypress Semiconductor Corporation and its subsidiaries, including Spansion LLC ("Cypress"). This document, including any software or firmware included or referenced in this document ("Software"), is owned by Cypress under the intellectual property laws and treaties of the United States and other countries worldwide. Cypress reserves all rights under such laws and treaties and does not, except as specifically stated in this paragraph, grant any license under its patents, copyrights, trademarks, or other intellectual property rights. If the Software is not accompanied by a license agreement and you do not otherwise have a written agreement with Cypress governing the use of the Software, then Cypress hereby grants you a personal, non-exclusive, nontransferable license (without the right to sublicense) (1) under its copyright rights in the Software (a) for Software provided in source code form, to modify and reproduce the Software solely for use with Cypress hardware products, only internally within your organization, and (b) to distribute the Software in binary code form externally to end users (either directly or indirectly through resellers and distributors), solely for use on Cypress hardware product units, and (2) under those claims of Cypress's patents that are infringed by the Software (as provided by Cypress, unmodified) to make, use, distribute, and import the Software solely for use with Cypress hardware products. Any other use, reproduction, modification, translation, or compilation of the Software is prohibited.

TO THE EXTENT PERMITTED BY APPLICABLE LAW, CYPRESS MAKES NO WARRANTY OF ANY KIND, EXPRESS OR IMPLIED, WITH REGARD TO THIS DOCUMENT OR ANY SOFTWARE OR ACCOMPANYING HARDWARE, INCLUDING, BUT NOT LIMITED TO, THE IMPLIED WARRANTIES OF MERCHANTABILITY AND FITNESS FOR A PARTICULAR PURPOSE. To the extent permitted by applicable law, Cypress reserves the right to make changes to this document without further notice. Cypress does not assume any liability arising out of the application or use of any product or circuit described in this document. Any information provided in this document, including any sample design information or programming code, is provided only for reference purposes. It is the responsibility of the user of this document to properly design, program, and test the functionality and safety of any application made of this information and any resulting product. Cypress products are not designed, intended, or authorized for use as critical components in systems designed or intended for the operation of weapons, weapons systems, nuclear installations, life-support devices or systems, other medical devices or systems (including resuscitation equipment and surgical implants), pollution control or hazardous substances management, or other uses where the failure of the device or system could cause personal injury, death, or property damage ("Unintended Uses"). A critical component is any component of a device or system whose failure to perform can be reasonably expected to cause the failure of the device or system, or to affect its safety or effectiveness. Cypress is not liable, in whole or in part, and you shall and hereby do release Cypress from any claim, damage, or other liability arising from or related to all Unintended Uses of Cypress products. You shall indemnify and hold Cypress harmless from and against all claims, costs, damages, and other liabilities, including claims for personal injury or death, arising from or related to any Unintended Uses of Cypress products.

Cypress, the Cypress logo, Spansion, the Spansion logo, and combinations thereof, WICED, PSoC, CapSense, EZ-USB, F-RAM, and Traveo are trademarks or registered trademarks of Cypress in the United States and other countries. For a more complete list of Cypress trademarks, visit cypress.com. Other names and brands may be claimed as property of their respective owners.