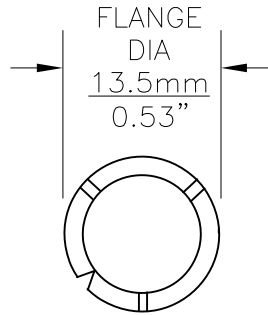


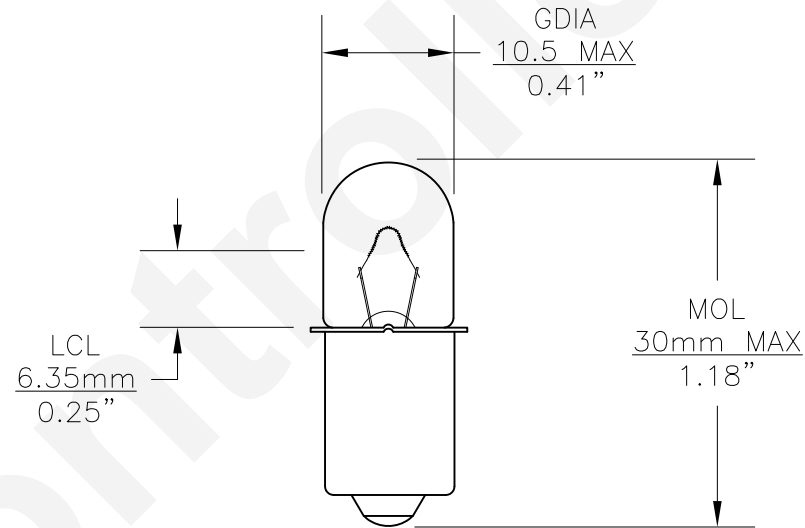
PART NO.	BASE TYPE	DESIGN VOLTS	DESIGN WATTS	DESIGN AMPS	MSCP	FILAMENT TYPE	AVERAGE LIFE HOURS
XPR16	S.C. MINIATURE FLANGED P13.5s	15.6	10.9	0.70 ±10%	14.3 ±15%	C-2R	150

REVISIONS			
REV	DESCRIPTION	DATE	APPROVED
1	ISSUED	04/14/2003	A.S.
2	REVISED LIFE HR. MSCP & MOL, GDIA DIMENSIONS	07/11/2012	D.C.

RoHS COMPLIANT
LEAD FREE



TOP VIEW



UNLESS OTHERWISE SPECIFIED:
DIMENSIONS ARE IN INCHES
TOLERANCES

DECIMALS	ANGULAR
.XX ± .05	± 0.5°
.XXX ± .010	
FRACTIONAL	± 1/64

CEC INDUSTRIES LTD

599 BOND STREET

LINCOLNSHIRE, IL 60069

TITLE

LIGHT BULB NO. XPR16, XENON

DRAWN	DATE
Anna Soloveychik	04/14/2003

CHECKED	
---------	--

DESIGN	
--------	--

MATERIAL	
----------	--

SIZE	FSCM NO.	DWG NO.	REV
A		XPR16	2

SCALE	PLOT SCALE	SHEET 1 OF 1
-------	------------	--------------

FILE	XPR16.dwg	DO NOT SCALE DRAWING
------	-----------	----------------------