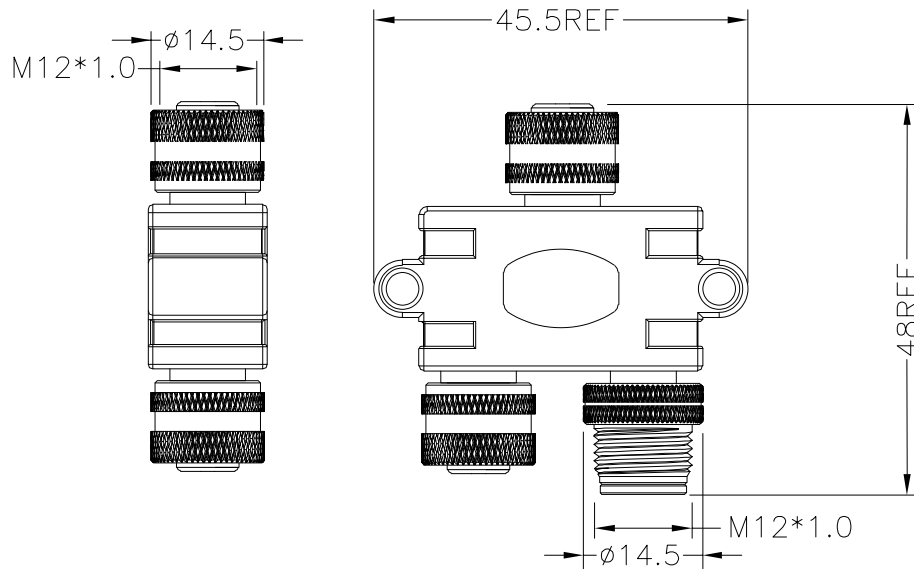


FEMALE



NOTE:

MATERIAL

M12 INSULATOR
SPLITTER HOUSING
CONTACT
NUT

PA66, UL94V-0, BLACK
PVC, UL94V-0, BLACK
GOLD FLASH PLATED BRASS
NICKEL PLATED BRASS

ELECTRICAL

RATED CURRENT 2A(8P) / 4A(4/5P)
VOLTAGE 30V(8P) / 60V(5P) / 250V(4P)
INSULATOR RESISTANCE 100 MOhms MIN.
CONTACT RESISTANCE 10 mOhms MAX.
MATING CYCLES 100 CYCLES MIN

ENVIRONMENT

OPERATION TEMPERATURE -40°C TO +85°C
IP RATING IP67 (UNCOUPLED & COUPLED)

RECOMMENDED TORQUE

0.4Nm TO 0.8Nm

MALE

FEMALE MALE

A04	A05	A08	D04	B05

FEMALE

A04	A05	A08	D04	B05

Y58-YYY-FMFR001

SERIES

Y58 = M12 Y-SPLIT ADAPTER

CONTACT ARRANGEMENT

A04 = (3X) 4P A-CODE
A05 = (3X) 5P A-CODE
A08 = (3X) 8P A-CODE
D04 = (3X) 4P D-CODE
B05 = (3X) 5P B-CODE

GENDER

FMF = FEMALE / MALE / FEMALE

CONTACT PLATING

1 = GOLD FLASH

RoHS COMPLIANT



THESE DRAWINGS AND SPECIFICATIONS ARE THE PROPERTY OF NorComp AND SHALL NOT BE REPRODUCED, COPIED OR USED AS THE BASIS FOR THE MANUFACTURE OR SALE OF APPARATUS WITHOUT WRITTEN PERMISSION.

DRAWN:

J. KADEL

DATE:

12/20/2021

TOLERANCES
.x ±0.5
.xx ±0.2
ANGULAR ±1°

UNITS = mm

DO NOT SCALE FROM DRAWING

NorComp

SCALE: NTS

SHEET 1 OF 1

REV 2

DWG NO.

Y58-YYY-FMFR001