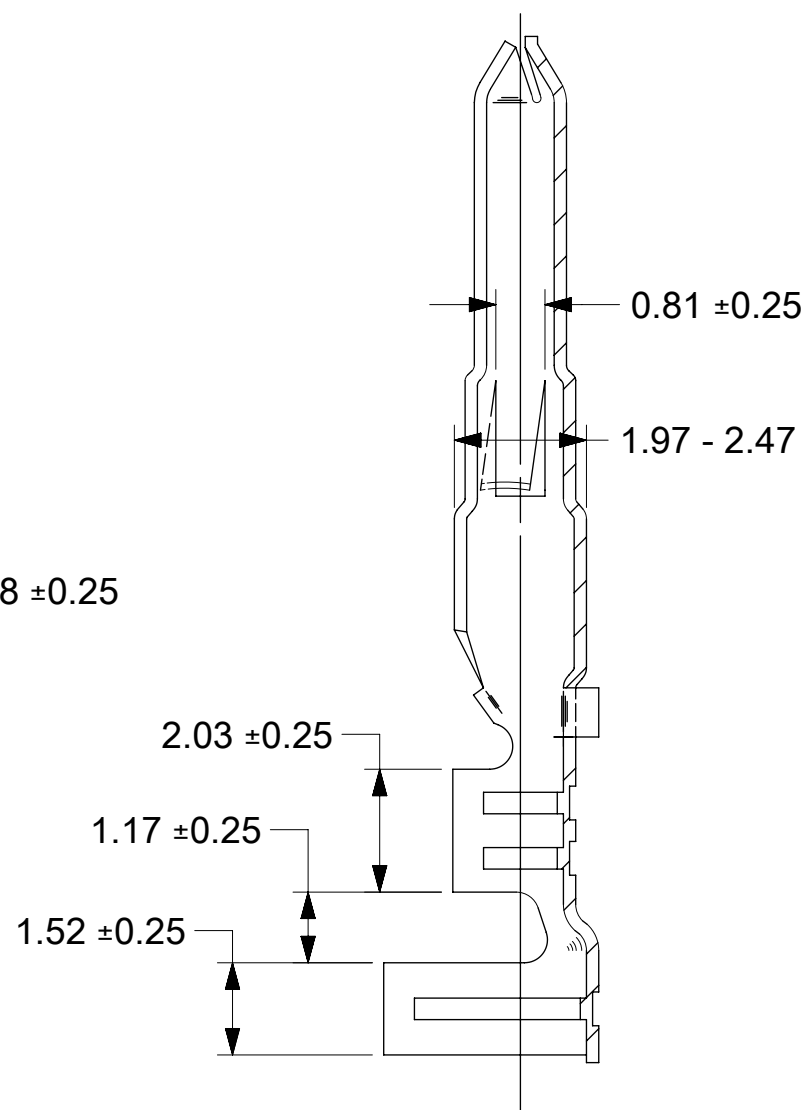
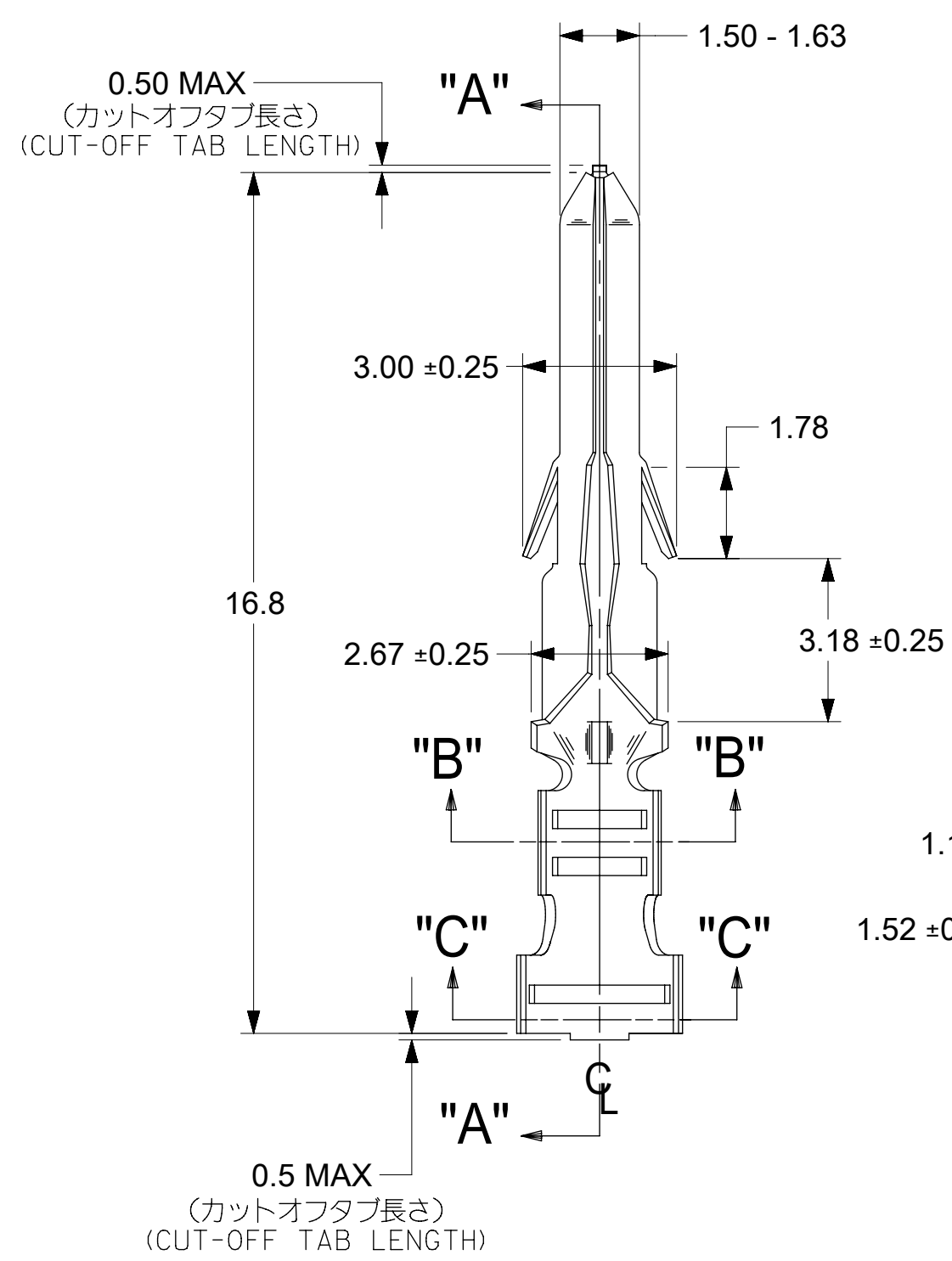
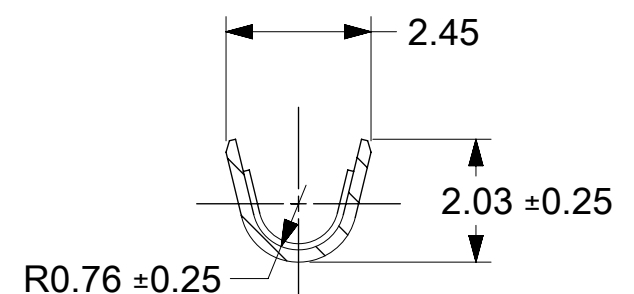


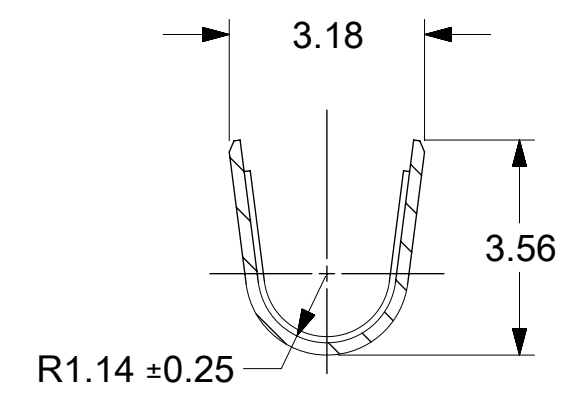
CHAIN FORM
SCALE: 4:1



SECT. "A-A"



SECT. "B-B"



SECT. "C-C"

注記 NOTES:
一般公差 : ±0.4
GENERAL TOLERANCES: ±0.4

1. MATERIAL: BRASS
2. FINISH: SEE CHART
3. PRODUCT SPECIFICATION: PS-02-06
4. PACKAGING INFORMATION: 15600000-PK
5. TERMINAL FOR USE WITH (1.57)/.062 DIA. SERIES HOUSINGS AND WILL ACCEPT 18 THRU 24 AWG WIRE WITH 1.5/3.1 INSULATION DIA.
6. PARTS CONFORM TO CLASS B REQUIREMENTS OF COSMETIC SPECIFICATION PS-45499-002.

銅 (0.5 μm MIN.) 下地 錫 (0.9 μm MIN.) TIN (0.9 μm MIN.) OVER COPPER (0.5 μm MIN.)	39-00-0278	1560T	連鎖状端子 CHAIN
メッキ PLATING	EDP.NO.	ENG.NO.	形状 FORM

THIS DRAWING CONTAINS INFORMATION THAT IS PROPRIETARY TO MOLEX ELECTRONIC TECHNOLOGIES, LLC AND SHOULD NOT BE USED WITHOUT WRITTEN PERMISSION			
DIMENSION UNITS mm	SCALE 8:1	CURRENT REV DESC: OBSOLETE PART NUMBER AS PER PCN#509988	
GENERAL TOLERANCES (UNLESS SPECIFIED)		EC NO: 704776	
ANGULAR TOL ± °		DRWN: SUGEEB	2022/03/29
4 PLACES ±		CHK'D: GGA	2022/05/24
3 PLACES ±		APPR: GGA	2022/05/24
2 PLACES ±		INITIAL REVISION:	
1 PLACE ±		DRWN: NAKAMURAA	2008/12/16
0 PLACES ±		APPR: NUKITA	2009/01/15
DRAFT WHERE APPLICABLE MUST REMAIN WITHIN DIMENSIONS	THIRD ANGLE PROJECTION	DRAWING C-SIZE	SERIES 1560
DOCUMENT NUMBER SD-1560-001		DOC TYPE PSD	DOC PART 001
MATERIAL NUMBER SEE TABLE		CUSTOMER GENERAL MARKET	REVISION M1
SHEET NUMBER 1 OF 1			

材料 MATERIAL 黄銅 BRASS	0.2 t
仕上げ FINISH	—
適用電線範囲 WIRE RANGE	AWG#18-#24
被覆外径 INS. RANGE	φ 1.5~3.1