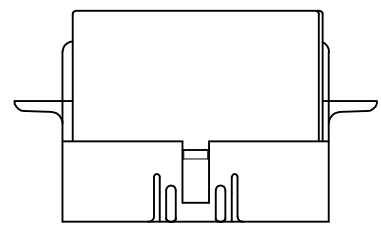
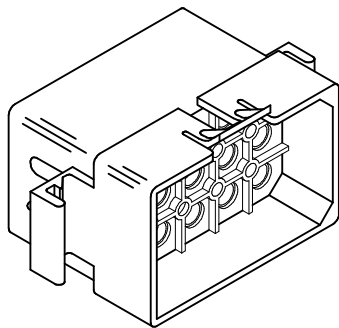
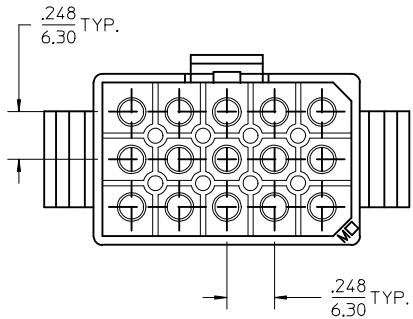
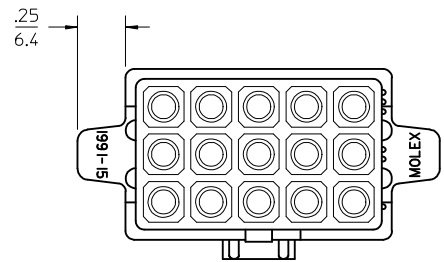
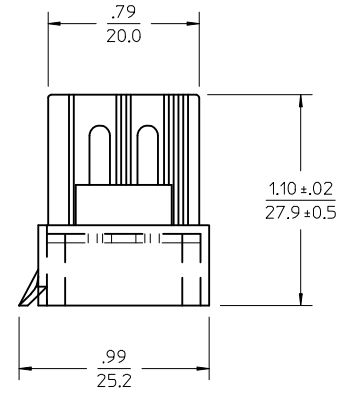
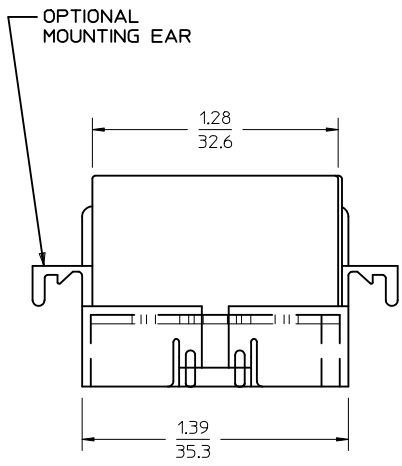
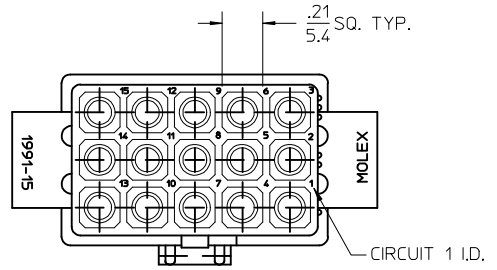


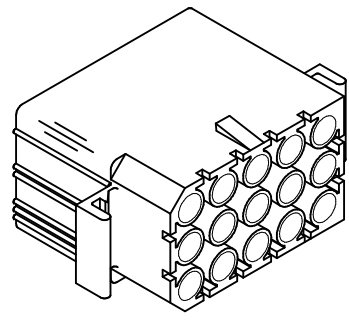
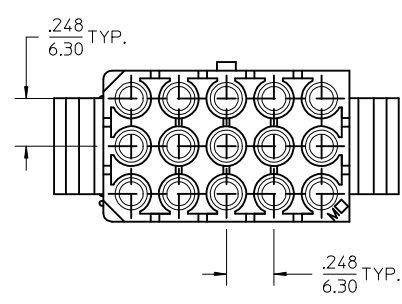
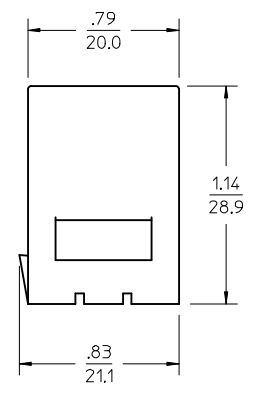
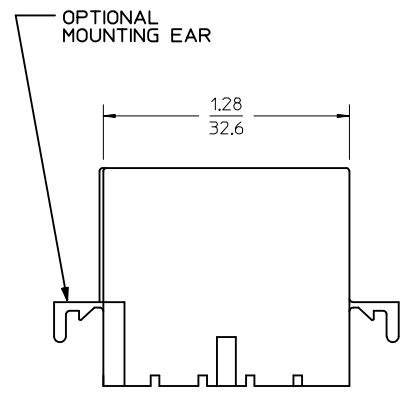
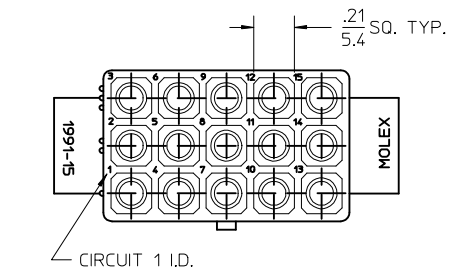
PLUG



OPTIONAL PULL TAB
1991-15P-1 SHOWN

CHANGE MATERIAL EC NO: UCP2015-4192 DRWN:KIPPER 2015/04/10 CHKD:JBELL 2015/04/13 APPR:FSMITH 2016/05/03	QUALITY SYMBOLS ▽=0 ▽=0 ▽=0	GENERAL TOLERANCES (UNLESS SPECIFIED)		DIMENSION STYLE IN/MM		SCALE 2:1	DESIGN UNITS INCH	THIRD ANGLE PROJECTION	
		4 PLACES ± --- ± ---	mm	INCH	DRAWN BY AELHAG	DATE 2008/04/02	TITLE .093/(2.36) HOUSINGS, PLUG AND RECEPTACLE, 15 CKT .248/(6.30) CTRS. molex		
		3 PLACES ± --- ± .010			CHECKED BY LSCHMIDT	DATE 2008/04/02			
		2 PLACES ± 0.25 ± .014			APPROVED BY FSMITH		DATE 2014/06/10	DOCUMENT NO. SD-1991-15**	
1 PLACE ± 0.35 ± ---			MATERIAL NO.			SHEET NO. 1 OF 3			
0 PLACE ± --- ± ---			ANGULAR ±1/2°		SEE CHART		THIS DRAWING CONTAINS INFORMATION THAT IS PROPRIETARY TO MOLEX INCORPORATED AND SHOULD NOT BE USED WITHOUT WRITTEN PERMISSION		
DRAFT WHERE APPLICABLE MUST REMAIN WITHIN DIMENSIONS									

RECEPTACLE



SEE SHEET 1 EC NO: UCP2015-4192 DRAWN: KIPPER 2015/04/10 CHKD: JELL 2015/04/13 APPR: FSMITH 2016/05/03	QUALITY SYMBOLS	GENERAL TOLERANCES (UNLESS SPECIFIED)		DIMENSION STYLE	SCALE	DESIGN UNITS	THIRD ANGLE PROJECTION
	▽=0	mm	INCH	IN/MM	2:1	INCH	
	▽=0	4 PLACES ± .005	± .010	DRAWN BY DATE	TITLE .093/(2.36) HOUSINGS, PLUG AND RECEPTACLE, 15 CKT .248/(6.30) CTRS. molex		
	▽=0	3 PLACES ± .005	± .014	AELHAG 2008/04/02			
	2 PLACES ± 0.25	± .035	CHECKED BY DATE	DOCUMENT NO. SD-1991-15**			
	1 PLACE ± 0.35	± .035	LSCHMIDT 2008/04/02				SHEET NO. 2 OF 3
	0 PLACE ± .005	± .035	APPROVED BY DATE	THIS DRAWING CONTAINS INFORMATION THAT IS PROPRIETARY TO MOLEX INCORPORATED AND SHOULD NOT BE USED WITHOUT WRITTEN PERMISSION			
			FSMITH 2014/06/10				
		ANGULAR ±1/2°		MATERIAL NO.			
		DRAFT WHERE APPLICABLE MUST REMAIN WITHIN DIMENSIONS		SIZE			

PLUG		
ORDER NO	ENG NO	PKG. INFORMATION
50-36-2277	1991-15P-1	PK-1991-002

RECEPTACLE		
ORDER NO	ENG NO	PKG. INFORMATION
50-36-2278	1991-15R2-1	PK-1991-002

LEGEND:

1991-15****-*

CIRCUIT SIZE

P = PLUG

R = RECEPTACLE

BLANK = WITH PULL TABS

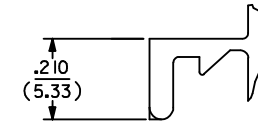
1 = WITHOUT EARS/WITHOUT PULL TABS

2 = WITH STANDARD EARS

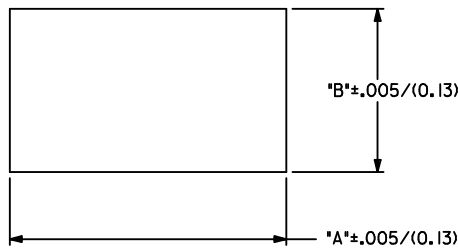
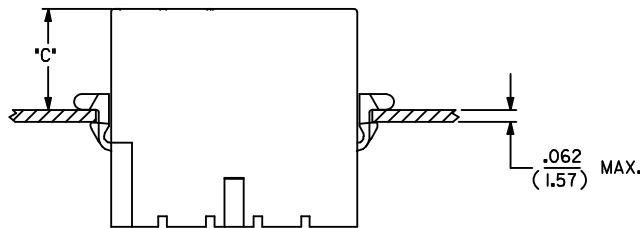
3 = WITH PREBENT EARS

COLOR: BLACK

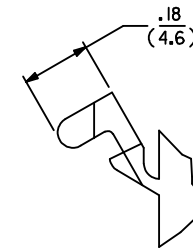
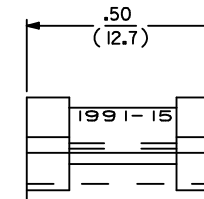
MATERIAL:
1 = CODE B



DETAIL A
STANDARD MOUNTING EAR
(SCALE 4:1)



RECOMMENDED PANEL OPENING



DETAIL B
PREBENT MOUNTING EAR
(SCALE 4:1)

HOUSING	DIM. *A*	DIM. *B*	*C* PREBENT EAR	*C* STANDARD EAR
PLUG	1.552/(39.42)	.910/(23.11)	.31/(7.9)	.30/(7.6)
RECEPT.	1.442/(36.63)	.850/(21.60)	.54/(13.7)	.53/(13.5)

NOTES:

- MATERIAL:
B: NYLON (PA 6). UL94V-2. GLOW WIRE CAPABLE PER IEC 60335-1.
COLOR: BLACK.
- FINISH: N/A
- PRODUCT SPECIFICATION: PS-02-09
- PACKAGING SPECIFICATION: SEE CHART
- HOUSINGS FOR USE WITH MOLEX STANDARD .093/(2.36) TYPE TERMINALS
- PARTS CONFORM TO CLASS B REQUIREMENTS OF COSMETIC SPECIFICATION PS-45499-002 EXCEPT MATERIAL OPTION B MEETS CLASS 'C' REQUIREMENTS FOR SINK AND DISCOLORATION.

SEE SHEET 1 EC NO: UCP2015-4192 DRAWN: KIPPER 2015/04/10 CHKD: BELL 2015/04/13 APPR: FSMITH 2016/05/03	QUALITY SYMBOLS ▽=0 ▽=0 ▽=0	GENERAL TOLERANCES (UNLESS SPECIFIED)		DIMENSION STYLE IN/MM		SCALE 2:1	DESIGN UNITS INCH	THIRD ANGLE PROJECTION	
			mm	INCH	DRAWN BY AELHAG	DATE 2008/04/02	TITLE .093/(2.36) HOUSINGS, PLUG AND RECEPTACLE, 15 CKT .248/(6.30) CTRS. molex		
B	DESCRIPTION	4 PLACES ± --- ± ---	DRAWN BY AELHAG		DATE 2008/04/02	DOCUMENT NO. SD-1991-15**			
		3 PLACES ± --- ± .010	CHECKED BY LSCHMIDT		DATE 2008/04/02				
		2 PLACES ± 0.25 ± .014	APPROVED BY FSMITH		DATE 2014/06/10	SHEET NO. 3 OF 3			
		1 PLACE ± 0.35 ± ---	MATERIAL NO. SEE CHART						
		0 PLACE ± --- ± ---	ANGULAR ±1/2°		THIS DRAWING CONTAINS INFORMATION THAT IS PROPRIETARY TO MOLEX INCORPORATED AND SHOULD NOT BE USED WITHOUT WRITTEN PERMISSION				
			DRAFT WHERE APPLICABLE MUST REMAIN WITHIN DIMENSIONS						