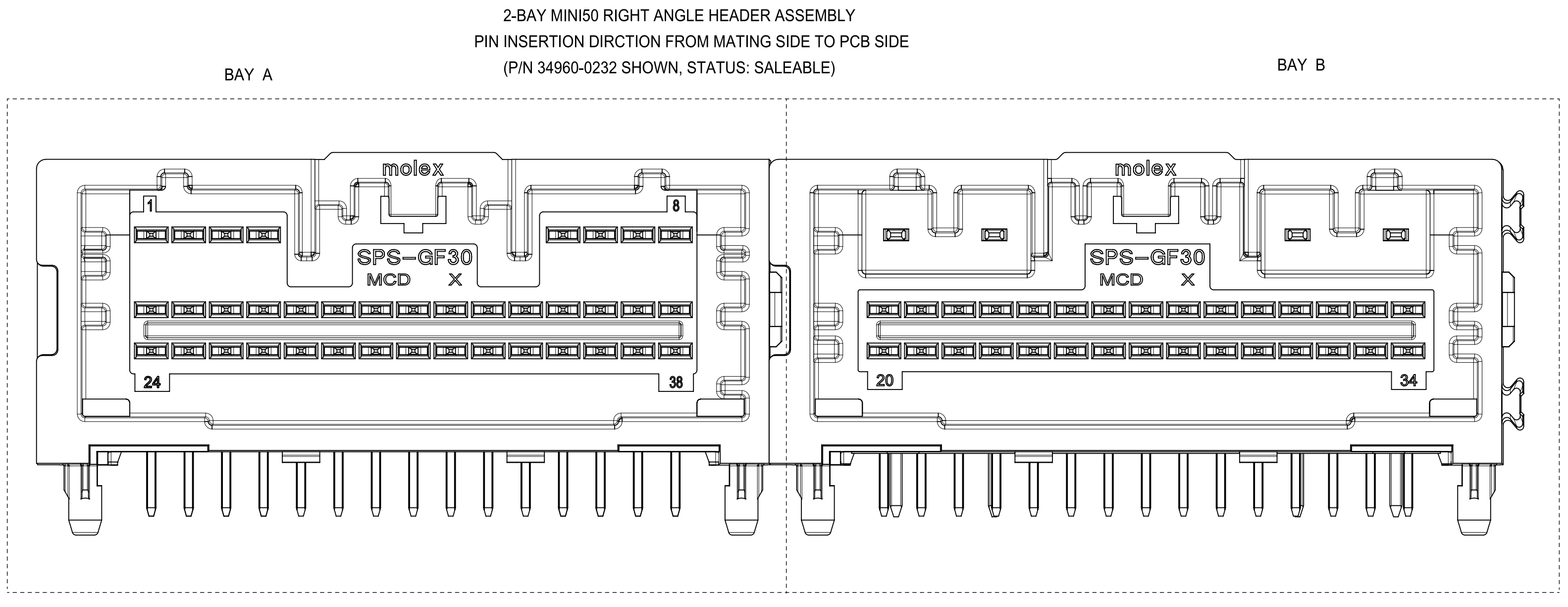
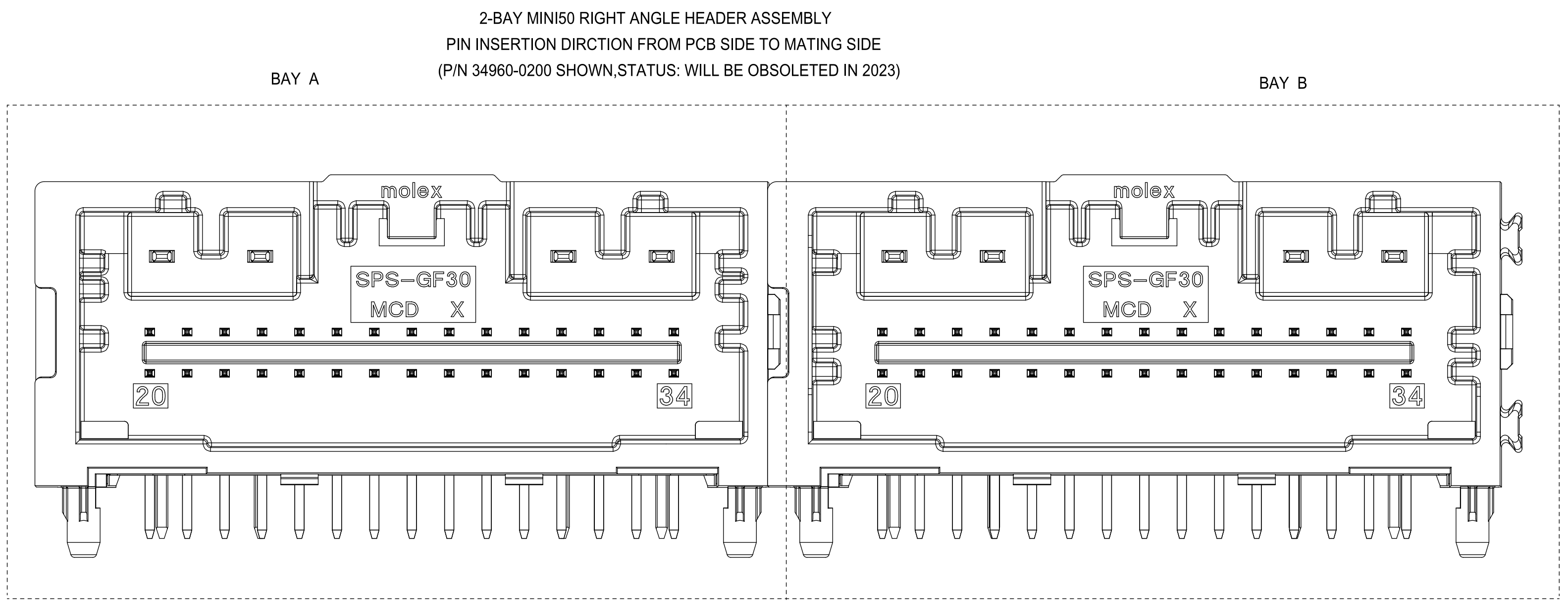


TABLE OF CONTENTS	
SHEET NO.	SHEET DESCRIPTION
1	NOTES,INSPECTION BALLOON NUMBER LOG, REV.COLUMN, 2-BAY MINI50 RIGHT ANGLE HEADER ASSEMBLY
2	CHART FOR MULTIBAY CONFIGURATION FOR UL94 HB DEPOLULATED HEADER PIN CONFIGURATION
3	CHART FOR MULTIBAY CONFIGURATION FOR UL94 V0 HB/V0 HEADER DIFFERENCE VIEW
4	DETAIL DIMENSION VIEW REFERENCE PCB LAYOUT



- NOTES: VALID UNLESS OTHERWISE SPECIFIED
- GENERAL:
    - PRODUCT SPECIFICATION:
      - HB:PS-34959-001
      - V0:2133550000-PS
    - APPLICATION SPECIFICATION: AS-34959-001
    - PACKAGING SPECIFICATION PER MOLEX DRAWING PK-31302-070 (TRAY)
    - PACKAGING SPECIFICATION PER MOLEX DRAWING PK-31301-688 (TUBE)
    - COSMETIC SPECIFICATION: PS-45499-002 Class B
    - GEOMETRIC TOLERANCING: SEE DIN 16901 TABLE
    - MATES WITH: SD-34959-030
  - DESIGN: MATERIALS:
    - SHROUD (PLASTIC HOUSING):
      - HB RESIN - SPS
      - V0 RESIN - SPS
    - PIN ALIGNMENT PLATE:
      - HB RESIN - SPS
      - V0 RESIN - SPS
    - COLOR - BLACK
    - 0.50mm BLADES:
      - BASE MATERIAL: BRASS
      - PLATING TYPE: AS NOTED
    - 1.20mm BLADES:
      - BASE MATERIAL: BRASS
      - PLATING TYPE: AS NOTED
  - PLATING REQUIREMENTS:
    - UNDERPLATING - OVERALL NICKEL
    - OVERPLATING - OVERALL REFLOW TIN
  - FOR DESCRIPTION OF INDIVIDUAL BAYS, REFER TO THE FOLLOWING SINGLE BAY DRAWINGS:
    - PART NUMBER: 34961-03XX, REFER TO SD-34961-030
    - PART NUMBER: 34961-13XX, REFER TO SD-34961-130
    - PART NUMBER: 213355XXXX, REFER TO SD-34961-030

REV	REV DESCRIPTION	ECN SAP NO.
B7	SHEET 1: ADDED NEW PART NUMBER IN CHART	CO-000002186
B6	1.SHEET 1:UPDATED NOTES 2.SHEET 2:ADDED FLAMMABILITY UL94 DESCRIPTION IN FORM 3.SHEET 3:ADDED NEW PART NUMBER :3001960200 4.SHEET 3:ADDED SHEET 3 TO SHOW HB / V0 VERSION DIFFERENCE 5.SHEET 4:UPDATED DIM 1: 2.75±0.50 WAS 2.74±0.50	CO-000001013
B5	CREATED NEW REVISION TO UPLOAD DRAWING IN MDS SYSTEM	CO-000000910
B4	SHEET 1: ADDED VIEW OF 2BAY DIFFERENET PIN INSERTION DIRCTION'S HEADER SHEET 2: ADDED NEW PART NUMBER	CO-000000910
B3	1. SHEET 1: UPDATED NOTES INFORMATION 2. SHEET 2: ADDED NEW PART NUMBER 34960-7281, 34960-0281, 34960-7291 3. SHEET 2: ADDED NEW PART NUMBER PIN CONFIGURATION INFORMATION 4. SHEET 3: ADDED DIM 3a, DIM 6a 5. SHEET 3: REMOVED DIM 2 , DIM 4, DIM5, DIM 7	663659
B2	1. OBSOLETE PART NUMBER: 34960-0210; 34960-0220; 34960-0240; 34960-0250 2. ADDED NEW DIMENSION ITEM 2a & 2b IN SHEET 3 3. ADDED SHEET 2 TO SHOW DEPULULATED HEADER PIN CONFIGURATION AND DIMENSIONAL CHART FOR MULTIBAY CONFIGURATION 4. REMOVED BALLOON NUMBER:8,9,10,11 IN SHEET 3 5. ADDED HOLE DIMENSION F IN PCB LAYOUT IN SHEET 3	640173
B1	ADDED NEW PART NUMBER: 34960-0271 IN THE CHART ON SHEET 1	623488
B	1. OBSOLETE PART NO 349600230 2. ADDED NEW NUMBER: 34960-0261 IN THE CHART ON SHEET 1	618118
A10	ADDED NEW P/N: 34961-7261 IN THE BOM ON SHEET 1.	611155
A9	ADDED NEW P/N: 34960-0211 \ 34960-0221 \ 34960-0231 34960-0241\34960-0251 IN THE BOM ON SHEET 1. ADDED PRODUCT STATUS IN THE BOM ON SHEET 1.	606688

DIN 16901	CODE LETTER	NOMINAL DIMENSION RANGE													
		OVER UP TO	0	1	3	6	10	15	22	30	40	53	70	90	120
PRECISION ENGINEERING	A		±0.10	±0.12	±0.14	±0.16	±0.20	±0.22	±0.24	±0.26	±0.28	±0.31	±0.35	±0.40	±0.50
	B		±0.05	±0.06	±0.07	±0.08	±0.10	±0.12	±0.14	±0.16	±0.18	±0.21	±0.25	±0.30	±0.40

A: FOR NON-MOLD RELATED DIMENSIONS (ACROSS PARTING LINE)  
B: FOR MOLD RELATED DIMENSIONS (WITHIN MOLD COMPONENTS)

INSPECTION BALLOON NUMBER LOG	
PER DRAWING REVISION:	B7
LAST BALLOON NUMBER USED:	6a
ADDED BALLOON NUMBERS:	
REMOVED BALLOON NUMBERS:	

FUNCTIONAL SYMBOLS	THIS DRAWING CONTAINS INFORMATION THAT IS PROPRIETARY TO MOLEX ELECTRONIC TECHNOLOGIES, LLC AND SHOULD NOT BE USED WITHOUT WRITTEN PERMISSION		CURRENT REV DESC: REFER TO REVISION COLUMN	
FA = 0	DIMENSION UNITS: mm	SCALE: 5:1		
FC = 0	GENERAL TOLERANCES (UNLESS SPECIFIED)		PHASE:	
FD = 0	ANGULAR TOL ± 0.5°		CO NO:	
DIVISIONAL SYMBOLS	4 PLACES ±		DRWN: Shanks Wu 2022-12-29	
	3 PLACES ±		CHK'D: Ringo Hu 2023-01-04	
	2 PLACES ±		APPR: Colin Zhang 2023-01-05	
	1 PLACE ±		INITIAL REVISION:	
	0 PLACES ±		DRWN: Shanks Wu 2022-04-25	
			APPR: Colin Zhang 2022-05-05	
DRAFT WHERE APPLICABLE MUST REMAIN WITHIN DIMENSIONS	THIRD ANGLE PROJECTION	DRAWING: D-SIZE	SERIES: 34960	MATERIAL NUMBER: SD-34960-0200
		CUSTOMER: GENERAL MARKET		SHEET NUMBER: 1 OF 4

**molex**

34 & 38 CKT MINI50 2-BAY  
R/A HEADER ASSEMBLY SALES DRAWING

PRODUCT SALES DRAWING

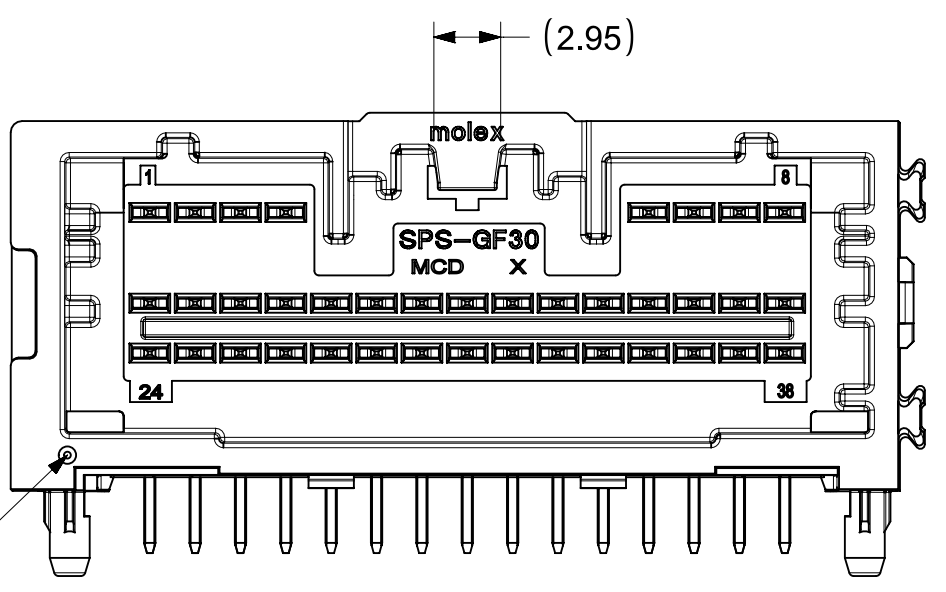
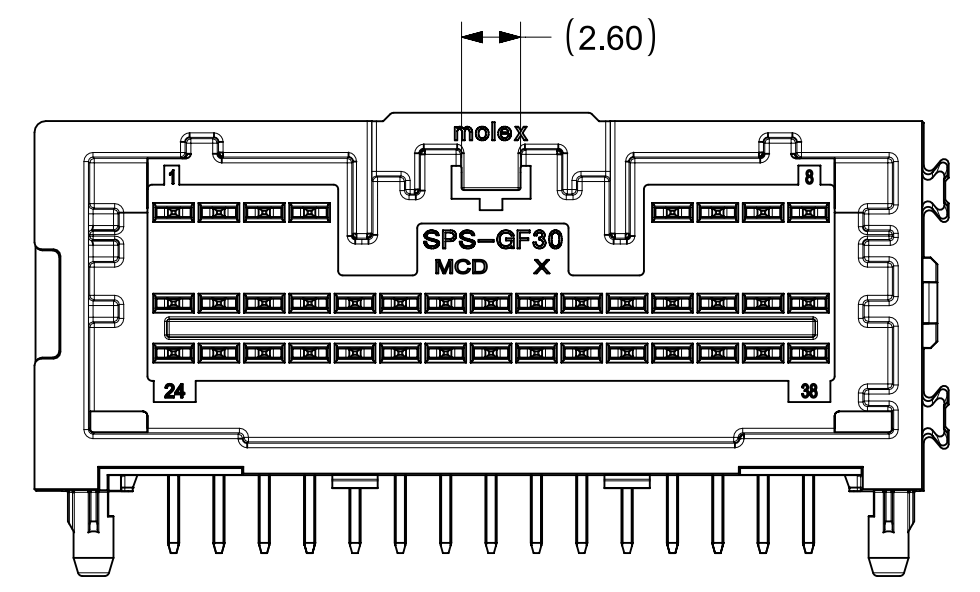


TABLE OF CONTENTS	
SHEET NO.	SHEET DESCRIPTION
3	CHART FOR MULTIBAY CONFIGURATION FOR UL94 V0 SHOW HB/V0 VERSION DIFFERENCE

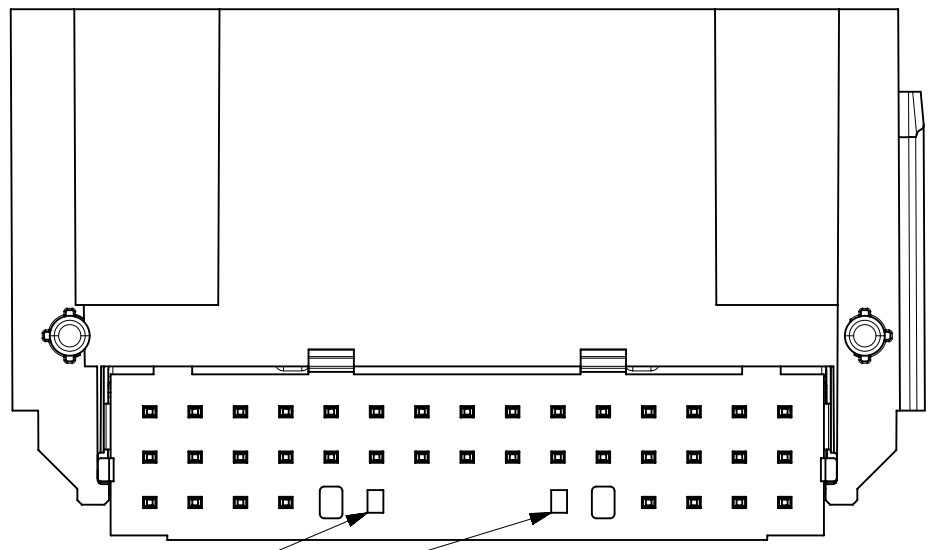
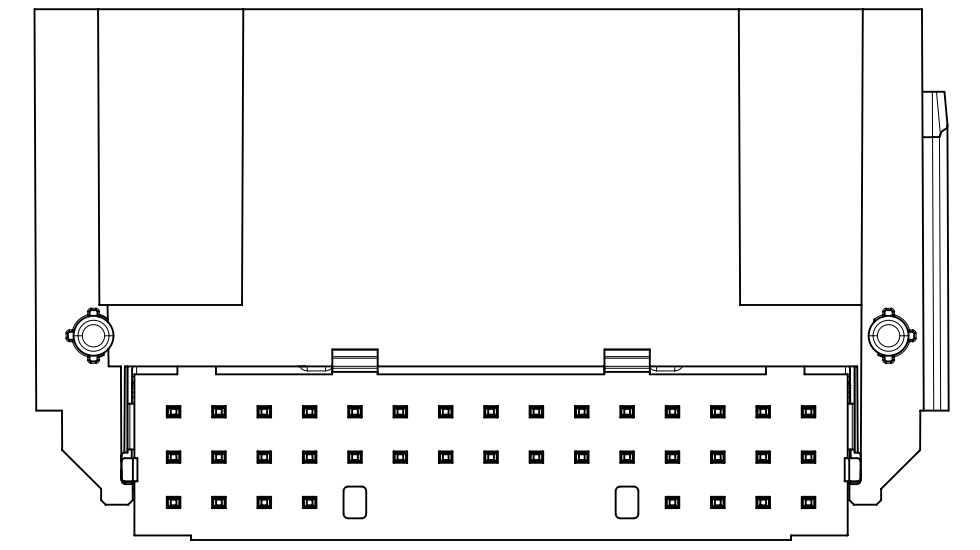
CHART FOR MULTIBAY CONFIGURATION(V0 VERSION):

2 BAY PART NUMBER (TUBE PKG)	2 BAY PART NUMBER (TRAY PKG)	BAY A						BAY B						STATUS
		P/N	INTERFACE TYPE	POL	COLOR	QTY OF PINS	FLAMMABILITY UL94	P/N	INTERFACE TYPE	POL	COLOR	QTY OF PINS	FLAMMABILITY UL94	
TBD	3001960200	2133550383	38CKT	UPDATED A	BLACK	38	V0	2133550344	34CKT	B	GREY	34	V0	SALEABLE

HB / V0 VERSION DIFFERENCE:



DEPRESSION FEATURE ADDED TO V0 PART TO DISTINGUISH FROM HB PART



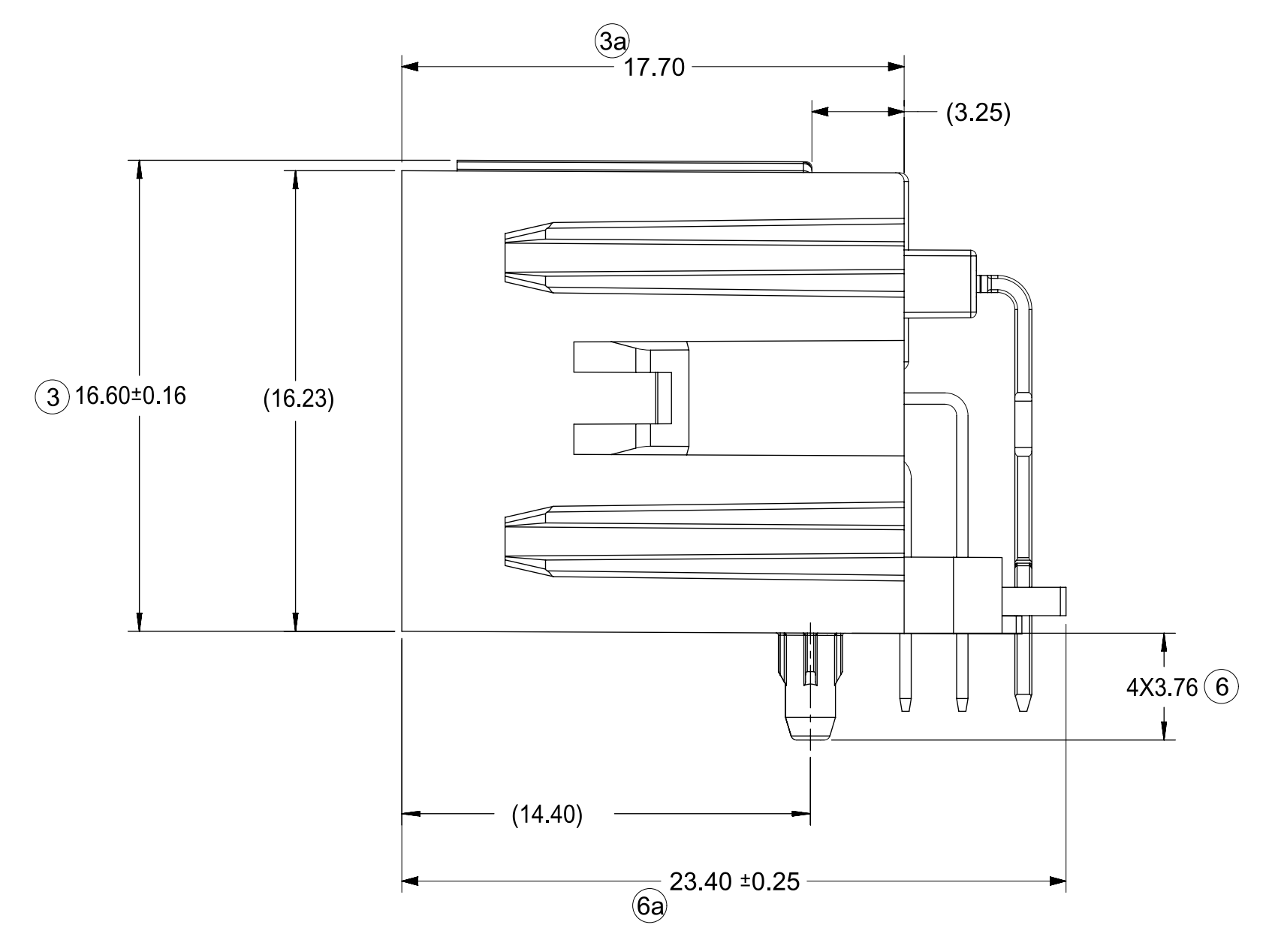
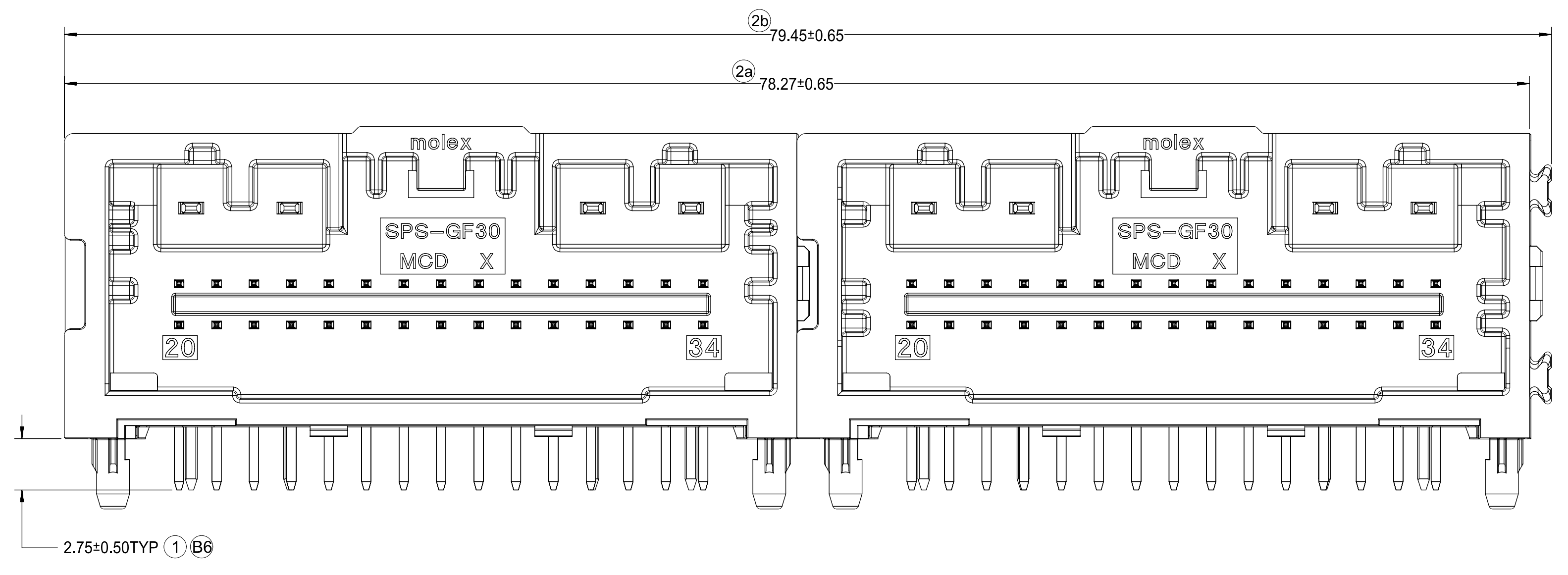
DEPRESSION FEATURE ADDED TO V0 PART TO DISTINGUISH FROM HB PART

V0 P/Ns: 213355XXXX  
APPLIES TO ALL CKT SIZES,  
USE 38CKT AS SHOWN

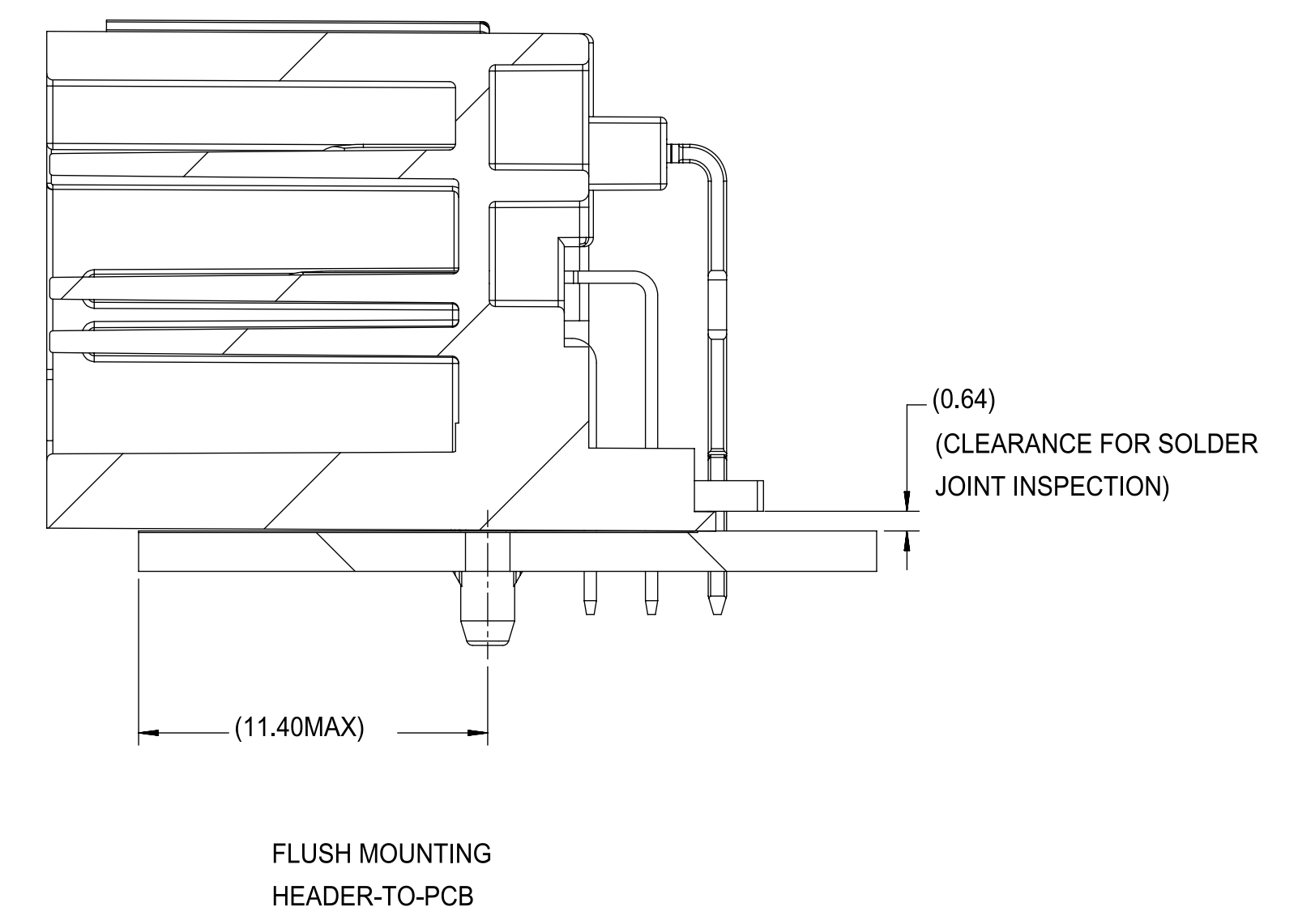
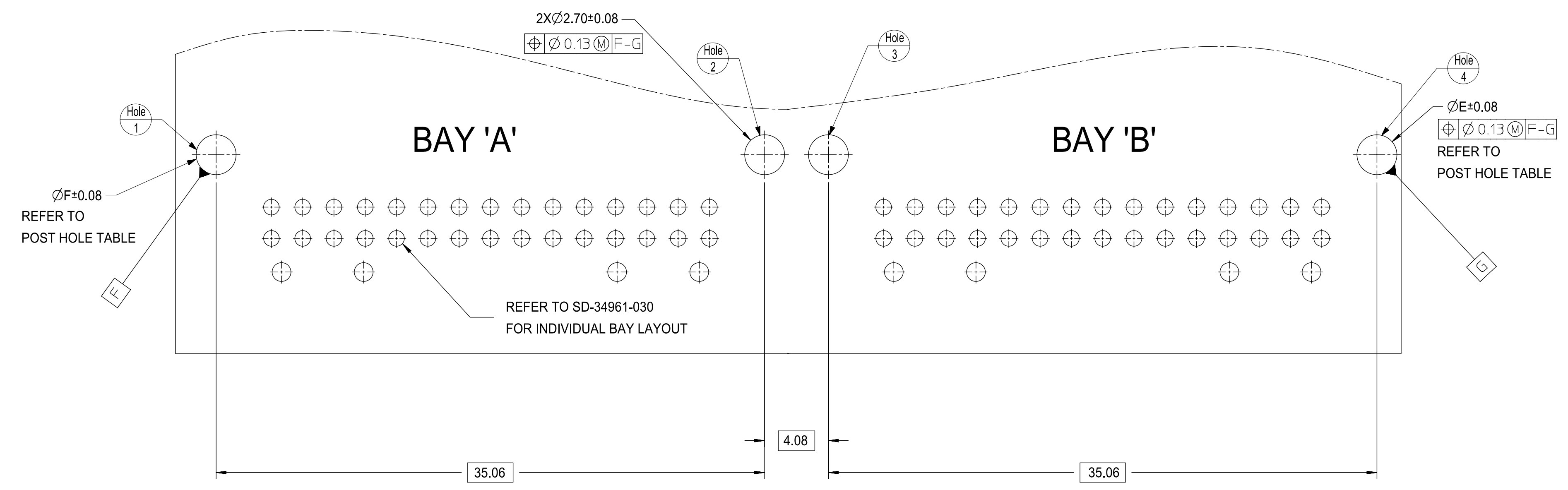
HB P/Ns: 34961XXXX  
APPLIES TO ALL CKT SIZES,  
USE 38CKT AS SHOWN

<b>FUNCTIONAL SYMBOLS</b> $F_A = 0$ $F_C = 0$ $F_P = 0$	THIS DRAWING CONTAINS INFORMATION THAT IS PROPRIETARY TO MOLEX ELECTRONIC TECHNOLOGIES, LLC AND SHOULD NOT BE USED WITHOUT WRITTEN PERMISSION		CURRENT REV DESC: REFER TO REVISION COLUMN		
	DIMENSION UNITS	SCALE	PHASE:		
	mm	3:1	CO NO:		
	GENERAL TOLERANCES (UNLESS SPECIFIED)		DRWN: Shanks Wu 2022-12-29		
ANGULAR TOL ± 0.5°		CHK'D: Ringo Hu 2023-01-04		PRODUCT SALES DRAWING	
4 PLACES ±		APPR: Colin Zhang 2023-01-05		DOCUMENT NUMBER	
3 PLACES ±		INITIAL REVISION:		DOC TYPE   DOC PART   REVISION	
2 PLACES ±		DRWN: Shanks Wu 2022-04-25		SD-34960-0200	
1 PLACE ±		APPR: Colin Zhang 2022-05-05		PSD 001 B7	
0 PLACES ±		DRAFT WHERE APPLICABLE MUST REMAIN WITHIN DIMENSIONS		MATERIAL NUMBER	
THIRD ANGLE PROJECTION		DRAWING		CUSTOMER	
		D-SIZE		GENERAL MARKET	
		SERIES		SHEET NUMBER	
		34960		3 OF 4	

TABLE OF CONTENTS	
SHEET NO.	SHEET DESCRIPTION
4	DETAIL DIMENSION VIEW REFERENCE PCB LAYOUT



RECOMMENDED PCB LAYOUT



Partial1  
SCALE 5:1

POST HOLE TABLE:

FOR DIM	E	F
PRESS FIT:	2.30	2.30
DROP IN:	2.85	2.65

FUNCTIONAL SYMBOLS $\nabla_A = 0$ $\nabla_C = 0$ $\nabla_P = 0$	THIS DRAWING CONTAINS INFORMATION THAT IS PROPRIETARY TO MOLEX ELECTRONIC TECHNOLOGIES, LLC AND SHOULD NOT BE USED WITHOUT WRITTEN PERMISSION		CURRENT REV DESC: REFER TO REVISION COLUMN	
	DIMENSION UNITS: mm SCALE: 1:1	PHASE: CO NO: DRWN: Shanks Wu 2022-12-29 CHK'D: Ringo Hu 2023-01-04 APPR: Colin Zhang 2023-01-05		
DIVISIONAL SYMBOLS 4 PLACES ± 3 PLACES ± 2 PLACES ± 1 PLACE ± 0 PLACES ±	GENERAL TOLERANCES (UNLESS SPECIFIED) ANGULAR TOL ± 0.5°		INITIAL REVISION: DRWN: Shanks Wu 2022-04-25 APPR: Colin Zhang 2022-05-05	
	DRAFT WHERE APPLICABLE MUST REMAIN WITHIN DIMENSIONS		THIRD ANGLE PROJECTION	DRAWING: D-SIZE SERIES: 34960

**molex**

34 & 38 CKT MINI50 2-BAY  
R/A HEADER ASSEMBLY SALES DRAWING

PRODUCT SALES DRAWING

DOCUMENT NUMBER	DOC TYPE	DOC PART	REVISION
SD-34960-0200	PSD	001	B7