

THIS DRAWING CONTAINS INFORMATION THAT IS PROPRIETARY TO MOLEX ELECTRONIC TECHNOLOGIES, LLC AND SHOULD NOT BE USED WITHOUT WRITTEN PERMISSION

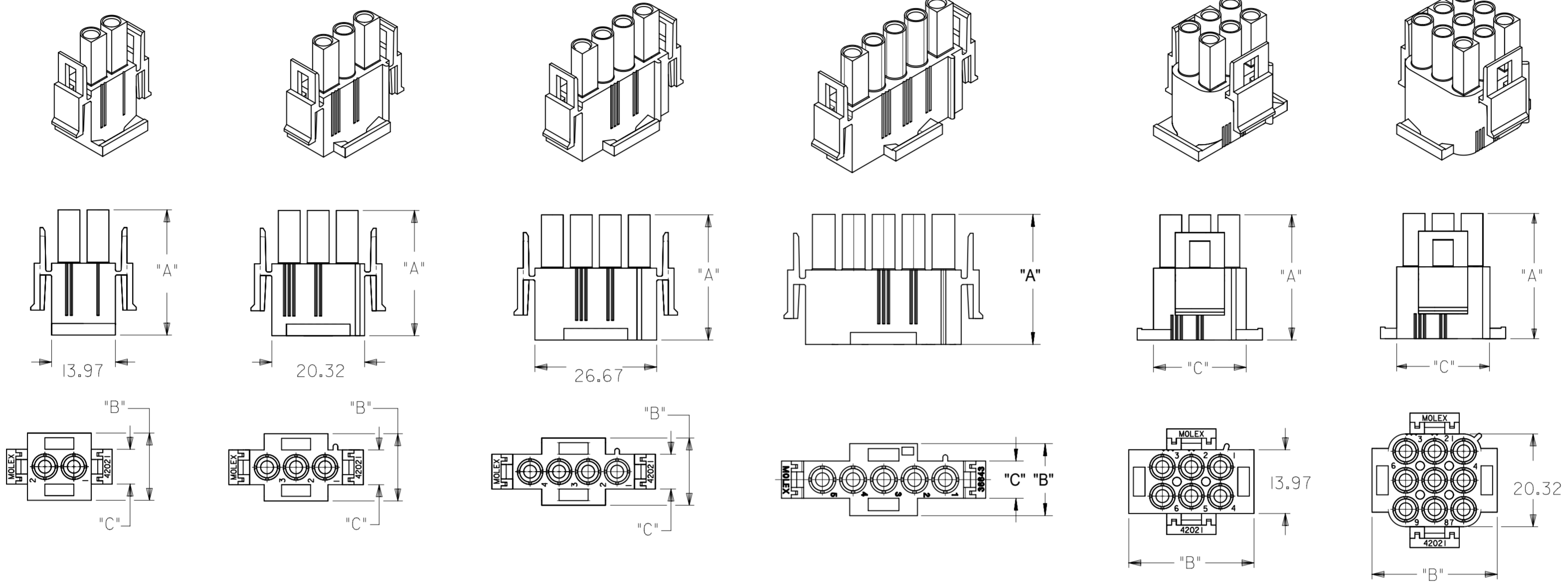
DIMENSION UNITS		SCALE		CURRENT REV DESC: MIGRATED TO ECTR			
MM		1:1		<p>HOUSING, PLUG 2.13 DIA. SERIES</p> <p>PRODUCT CUSTOMER DRAWING</p>			
GENERAL TOLERANCES (UNLESS SPECIFIED)							
	MM	INCH					
4 PLACES	±		±				
3 PLACES	±		± 0.1				
2 PLACES	± 0.25		± 0.14	EC NO: 178202	2018/02/26		
1 PLACE	± 0.36		±	DRWN: RLALSANGI	2018/07/12		
0 PLACES	±		±	CHK'D: NCSR	2018/07/12		
ANGULAR TOL	±	°		APPR: NCSR	2018/07/12		
DRAFT WHERE APPLICABLE MUST REMAIN WITHIN DIMENSIONS		THIRD ANGLE PROJECTION		INITIAL REVISION:			
				DRWN: RK	1987/11/16		
		DRAWING		APPR: GWF	1987/11/16		
		SERIES					
		A2-SIZE					
		42021					
DOCUMENT NUMBER		CUSTOMER		SHEET NUMBER			
420210000		GENERAL MARKET		1 OF 2			

PART NO.	CIRCUIT SIZE	MATERIAL (SEE NOTE 1)	DIM "A"	DIM "B"	DIM "C"
050-84-1010	1	A	27.69	7.37	--
050-84-1015	1	C			
050-84-1020	2	A	27.61	14.73	7.62
050-84-1025	2	C			
050-84-1030	3	A	27.61	14.73	7.62
050-84-1035	3	C			
050-84-1040	4	A	27.61	14.73	7.62
050-84-1045	4	C			
050-84-1060	6	A	27.61	27.43	20.32
050-84-1065	6	C			
050-84-1090	9	A	27.61	27.43	20.32
050-84-1095	9	C			
050-84-1120	12	A	27.61	27.43	20.32
050-84-1125	12	C			
050-84-1150	15	A	27.61	27.43	20.32
050-84-1155	15	C			
366480001	1	D	27.43	7.37	--
366480002	2	D		14.73	7.62
366480003	3	D			
366480004	4	D			
366480005	6	D	27.43	27.43	20.32
366480006	9	D			
366480007	12	D			
366480008	15	D			

**NOTES:**

- 1) MATERIAL CODES:  
 "A"= NYLON TYPE 6/6, 94V-2  
 COLOR: NATURAL (WHITE/TRANSLUCENT)  
 "C"= NYLON TYPE 6/6, 94V-0  
 COLOR: NATURAL (WHITE)  
 "D"= NYLON 94V-2  
 COLOR: BLACK (ZYTEL 101F)
- 2) UNLESS OTHERWISE INDICATED, DIMENSIONS ARE FOR REFERENCE ONLY.
- 3) PLUG HOUSINGS MATE WITH:  
 -CAP HOUSINGS, 2.13 DIA. SERIES: (42022-\*\*\*\*)  
 -HEADER ASSEMBLY HOUSINGS, 2.13 DIA. SERIES: (A-42002-\*\*\*\*)
- 4) HOUSINGS DESIGNED TO BE USED WITH TERMINALS:  
 -PINS, 2.13 DIA. SERIES: (42023-\*\*\*\*)  
 -SOCKETS, 2.13 DIA. SERIES: (42024-\*\*\*\*)
- 5) CONTACTS ARE ON 6.35 GRID CENTERLINE SPACING.
- 6) PRODUCT SPECIFICATION PS-42022-0001 APPLIES.
- 7) FOR GLOW WIRE COMPATIBLE PART NUMBERS REFER DOCUMENT NO SD-36643-009.

THIS DRAWING CONTAINS INFORMATION THAT IS PROPRIETARY TO MOLEX ELECTRONIC TECHNOLOGIES, LLC AND SHOULD NOT BE USED WITHOUT WRITTEN PERMISSION									
DIMENSION UNITS		SCALE		CURRENT REV DESC: MIGRATED TO ECTR				<b>molex</b>	
MM		1:1							
GENERAL TOLERANCES (UNLESS SPECIFIED)				EC NO: 178202				HOUSING, PLUG 2.13 DIA. SERIES	
		MM	INCH	DRWN: RLALSANGI		2018/02/26			
4 PLACES		±	±	CHK'D: NCSR		2018/07/12			
3 PLACES		±	± 0.1	APPR: NCSR		2018/07/12			
2 PLACES		± 0.25	± 0.14	INITIAL REVISION:				PRODUCT CUSTOMER DRAWING	
1 PLACE		± 0.36	±	DRWN: RK		1987/11/16		DOCUMENT NUMBER	
0 PLACES		±	±	APPR: GWF		1987/11/16		420210000	
ANGULAR TOL		± °		THIRD ANGLE PROJECTION		DRAWING		DOC TYPE	
DRAFT WHERE APPLICABLE MUST REMAIN WITHIN DIMENSIONS				A2-SIZE		SERIES		DOC PART	
				42021		MATERIAL NUMBER		REVISION	
				SEE TABLE OF SHEET 2		CUSTOMER		A	
				GENERAL MARKET		SHEET NUMBER		2 OF 2	



PRE-RELEASE  
REFERENCE  
USE ONLY

THIS DRAWING CONTAINS INFORMATION THAT IS PROPRIETARY TO MOLEX ELECTRONIC TECHNOLOGIES, LLC AND SHOULD NOT BE USED WITHOUT WRITTEN PERMISSION									
DIMENSION UNITS <b>mm</b>		SCALE <b>1:1</b>		CURRENT REV DESC: REMOVED OBSOLETE PART NUMBER AS PER PCN#509450.				<b>molex</b>	
GENERAL TOLERANCES (UNLESS SPECIFIED)				EC NO: 694111					
				DRWN: SUGEEB 2022/01/25				HOUSING, PLUG 2.13 DIA. SERIES	
				CHK'D: GGA 2022/03/31					
				APPR: GGA 2022/03/31				PRODUCT CUSTOMER DRAWING	
				INITIAL REVISION:					
				DRWN: MRAMAKRISHNA 2013/01/30				DOCUMENT NUMBER	
				APPR: KPRASAD 2013/03/11				SD-36643-009	
DRAFT WHERE APPLICABLE MUST REMAIN WITHIN DIMENSIONS		THIRD ANGLE PROJECTION		DRAWING		SERIES		MATERIAL NUMBER	
				A2-SIZE		36643		SEE SHEET 2	
				CUSTOMER		GENERAL MARKET		SHEET NUMBER	
								1 OF 2	

DOCUMENT STATUS	P1	RELEASE DATE	2022/03/31	10:33:08
-----------------	----	--------------	------------	----------

PART NO.	CIRCUIT SIZE	MATERIAL (SEE NOTE 1)	DIM "A"	DIM "B"	DIM "C"
366430002	2	E	27.61	14.73	7.62
366430003	3	E	27.61	14.73	7.62
366430004	4	E	27.61	14.73	7.62
366430010	5	E	27.61	14.73	7.62
366430005	6	E	27.61	27.43	20.32
366430006	9	E	27.61	27.43	20.32

NOTES:

- MATERIAL CODE  
"E"= NYLON 94V-2  
COLOUR : NATURAL  
GLOW WIRE COMPATIBLE WITH CTI OF 325 VOLTS, ACCORDING TO IEC 60335-4TH EDITION
- UNLESS OTHERWISE INDICATED, DIMENSIONS ARE FOR REFERENCE ONLY
- PLUG HOUSINGS MATE WITH:  
- CAP HOUSINGS, 2.13 DIA. SERIES 36644(SD-36644-009)  
- HEADER ASSEMBLY, 2.13 DIA. SERIES 36757(SD-36757-0002)
- HOUSING DESIGNED TO BE USED WITH TERMINALS:  
- PINS, 2.13 DIA. SERIES 42023  
- SOCKETS, 2.13 DIA. SERIES 42024
- CONTACTS ARE ON 6.35 GRID CENTERLINE SPACING
- PRODUCT SPECIFICATION PS-42022-0001 APPLIES

PRE-RELEASE  
REFERENCE  
USE ONLY

THIS DRAWING CONTAINS INFORMATION THAT IS PROPRIETARY TO MOLEX ELECTRONIC TECHNOLOGIES, LLC AND SHOULD NOT BE USED WITHOUT WRITTEN PERMISSION											
DIMENSION UNITS		SCALE		CURRENT REV DESC: REMOVED OBSOLETE PART NUMBER AS PER PCN#509450.				<b>molex</b>			
mm		1:1									
GENERAL TOLERANCES (UNLESS SPECIFIED)				EC NO: 694111 DRWN: SUGEEB 2022/01/25 CHK'D: GGA 2022/03/31 APPR: GGA 2022/03/31 INITIAL REVISION: DRWN: MRAMAKRISHNA 2013/01/30 APPR: KPRASAD 2013/03/11				HOUSING, PLUG 2.13 DIA. SERIES		PRODUCT CUSTOMER DRAWING	
		MM	INCH								
4 PLACES	±		±								
3 PLACES	±		±								
2 PLACES	±	0.25	±								
1 PLACE	±	0.36	±								
0 PLACES	±		±	DOCUMENT NUMBER		SD-36643-009	DOC TYPE	DOC PART	REVISION		
ANGULAR TOL		±	°	MATERIAL NUMBER		SEE SHEET 2	CUSTOMER		SHEET NUMBER		
DRAFT WHERE APPLICABLE MUST REMAIN WITHIN DIMENSIONS		THIRD ANGLE PROJECTION		DRAWING	SERIES	GENERAL MARKET		2 OF 2			
				A2-SIZE	36643						

DOCUMENT STATUS	P1	RELEASE DATE	2022/03/31	10:33:08
-----------------	----	--------------	------------	----------