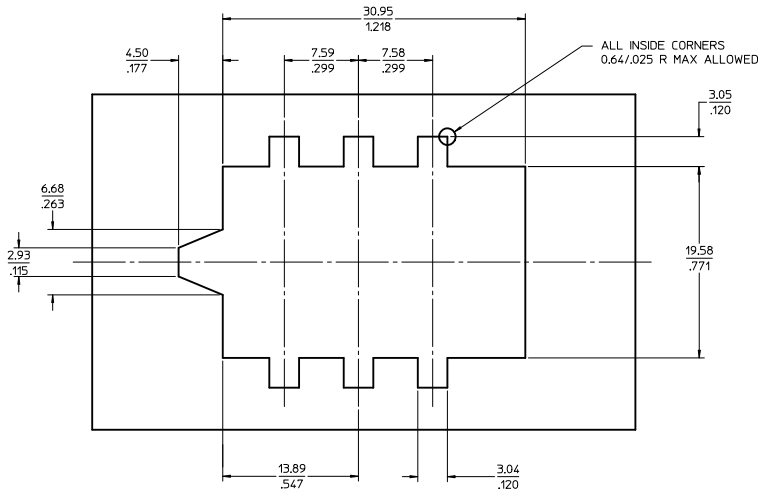
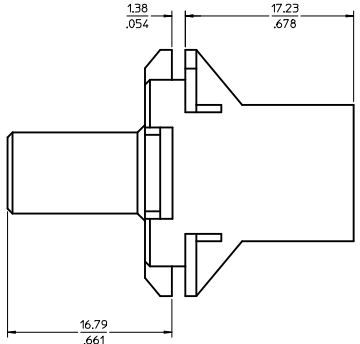
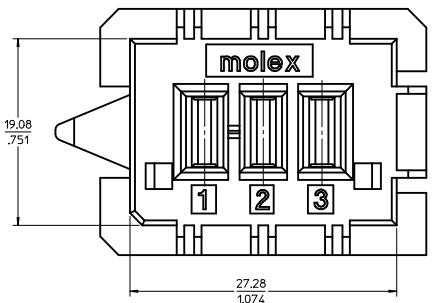
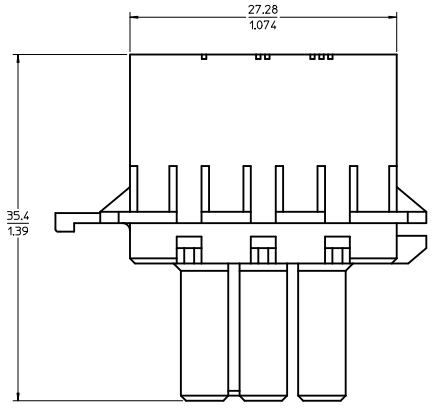
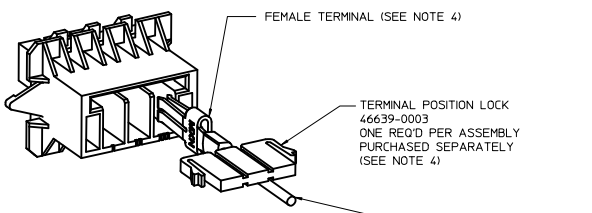


- NOTES:
1. MATERIAL: PBT - 94V-0, COLOR: BLACK
 2. HOUSING ACCEPTS MOLEX RECEPTACLE TERMINAL 44262-43** SERIES (SEE SD-44262-026 FOR TERMINAL OPTIONS)
 3. RECEPTACLE HOUSING MATES WITH PLUG HOUSING 46639-0001 (SEE SD-46639-001 FOR ADDITIONAL INFORMATION)
 4. HOUSING REQUIRES TERMINAL POSITION LOCK (SEE SD-46639-003 FOR ADDITIONAL INFORMATION) P/N: 46639-0003 TO BE ORDERED SEPARATELY
 5. HOUSING IS RoHS COMPLIANT
 6. MAXIMUM MATING FORCE OF PLUG AND RECEPTACLE IS 32N / 7LBS
 7. HOUSING FOR USE WITH WIRE SIZES 10 THRU 16 AWG
 8. PRODUCT SPECIFICATION: PS-44262-300



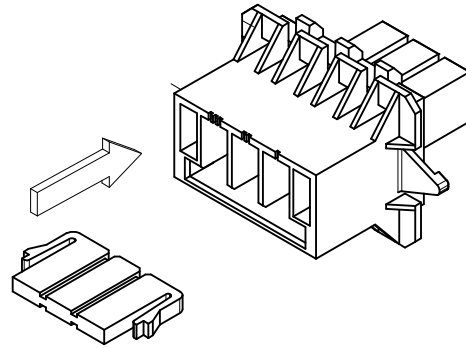
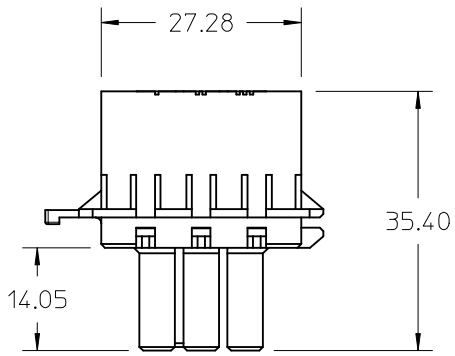
RECOMMENDED PANEL CUTOUT

NOTE: ALL PANEL DIMS ARE $\pm 0.13/005$
 PANEL THICKNESS: 1.22 ± 0.05 / .048 ± 0.02

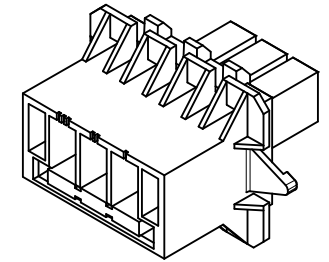


TERMINAL ASSEMBLY & TPA SHOWN FOR REFERENCE ONLY

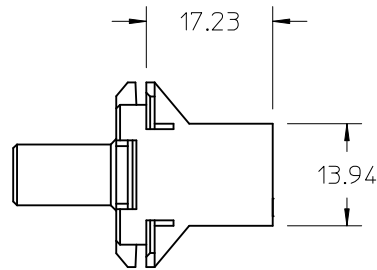
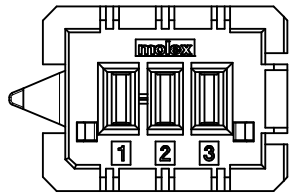
REV DOCUMENT NO EC NO: UCP2011-3253 DRAWN BY: CHKD/APATEL 2011/04/26 CHECKED BY: APPR:APATEL 2011/04/27 REV DESCRIPTION	QUALITY SYMBOLS		GENERAL TOLERANCES (UNLESS SPECIFIED)		DIMENSION STYLE MM/IN		SCALE 2:1 DESIGN UNITS METRIC		THIRD ANGLE PROJECTION	
	4 PLACES	± .015	± .015	± .015	DRAWN BY	DATE	TITLE			
	3 PLACES	± .025	± .025	± .025	JSCHAFFER	12-11-2007	RECEPTACLE HOUSING			
	2 PLACES	± .038	± .025	± .025	SBOGIEL	12-12-2007	3 CIRCUIT PANEL MOUNT POWER CONNECTOR			
1 PLACE	± .064	± .064	± .064	APATEL	12-14-2007	MOLEX INCORPORATED		MOLEX INCORPORATED		
ANGULAR $\pm 1/2^\circ$			DRAFT WHERE APPLICABLE MUST REMAIN WITHIN DIMENSIONS		MATERIAL NO. 466390002		DOCUMENT NO. SD-46639-002		SHEET NO. 1 OF 1	



TERMINAL LOCK LOADING DIRECTION
(TERMINAL LOCK INCLUDED IN THE KIT)



TERMINAL LOCK FULLY SEATED



NOTES:

1. MATERIAL-HOUSING: HIGH TEMPERATURE PLASTIC, BLACK, UL94V-0
2. PRODUCT MEETS RoHS REQUIREMENTS.
3. PACKAGING PER PK-46639-101.
4. ASSEMBLY MATES TO MOLEX RECEPTACLE ASSY P/N 46639-0001.
5. TERMINAL 44262-4306 SOLD SEPARATELY.

RECEPTACLE ASSEMBLY KIT 46639-1002	
HOUSING	46639-0002
TERMINAL LOCK	46639-0003

INITIAL RELEASE EC NO: UCP2009-1928 DRAWN: JSCHAFFER 2009/02/06 CHKD: 2009/02/09 APPR: APATEL 2009/02/10 REV 1	QUALITY SYMBOLS ▽=0 ▽=0	GENERAL TOLERANCES (UNLESS SPECIFIED)		DIMENSION STYLE MM ONLY		SCALE 1.5:1	DESIGN UNITS METRIC	THIRD ANGLE PROJECTION	
				DRAWN BY JSCHAFFER	DATE 2-4-2009	TITLE RECEPTACLE ASSY KIT HOUSING/TERM.LOCK POWER CONNECTOR			
				CHECKED BY APATEL	DATE 2-5-2009				
				APPROVED BY APATEL	DATE 2-6-2009	MOLEX INCORPORATED			
				MATERIAL NO. 466391002					
DRAFT WHERE APPLICABLE MUST REMAIN WITHIN DIMENSIONS			SIZE B	THIS DRAWING CONTAINS INFORMATION THAT IS PROPRIETARY TO MOLEX INCORPORATED AND SHOULD NOT BE USED WITHOUT WRITTEN PERMISSION					