

CONSTRUCTION:

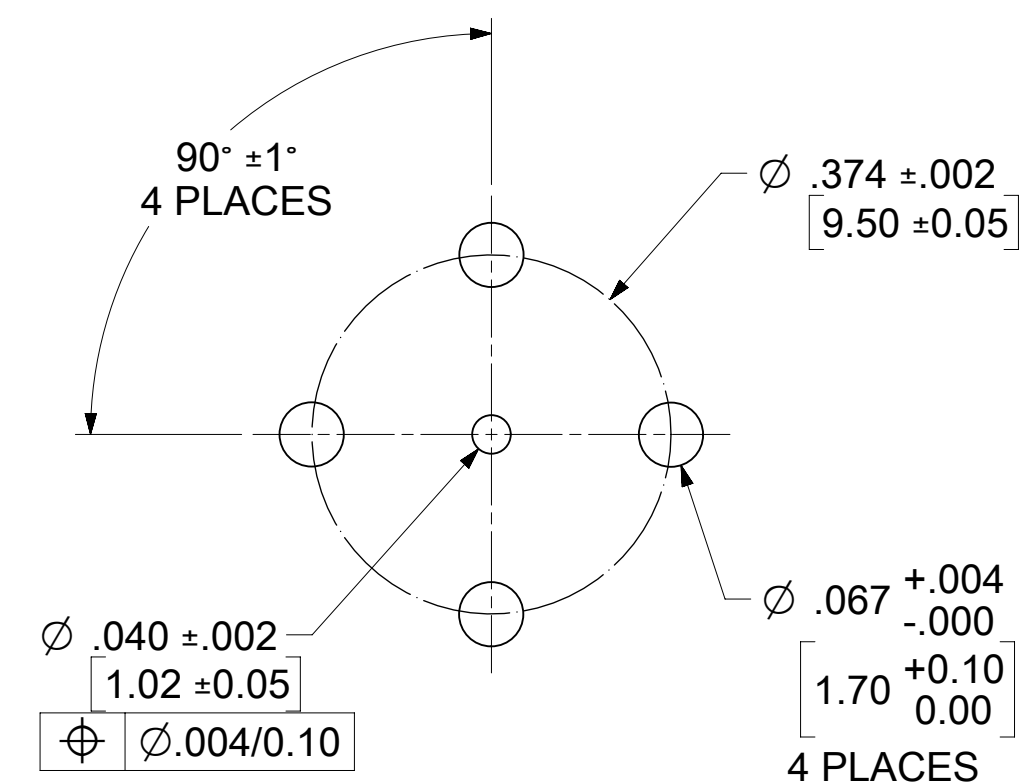
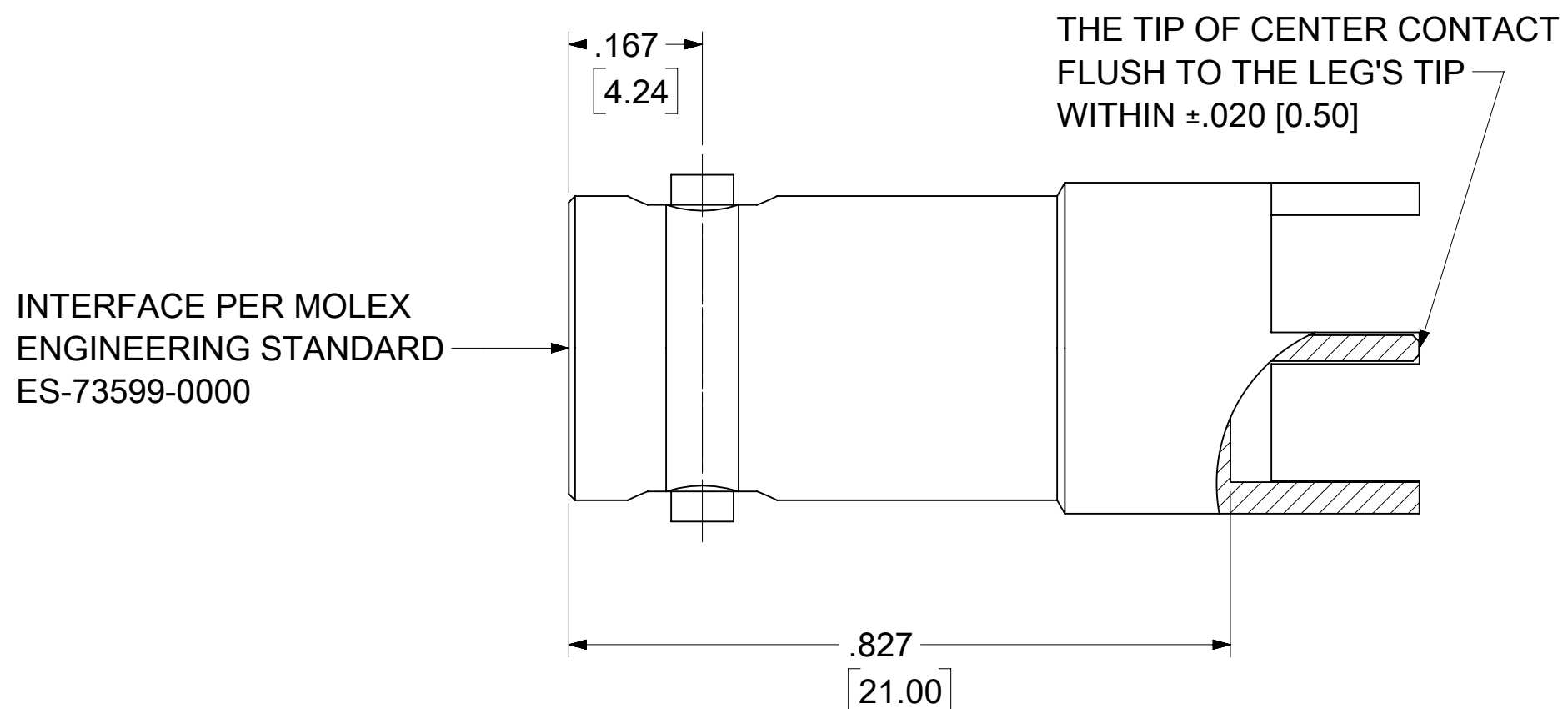
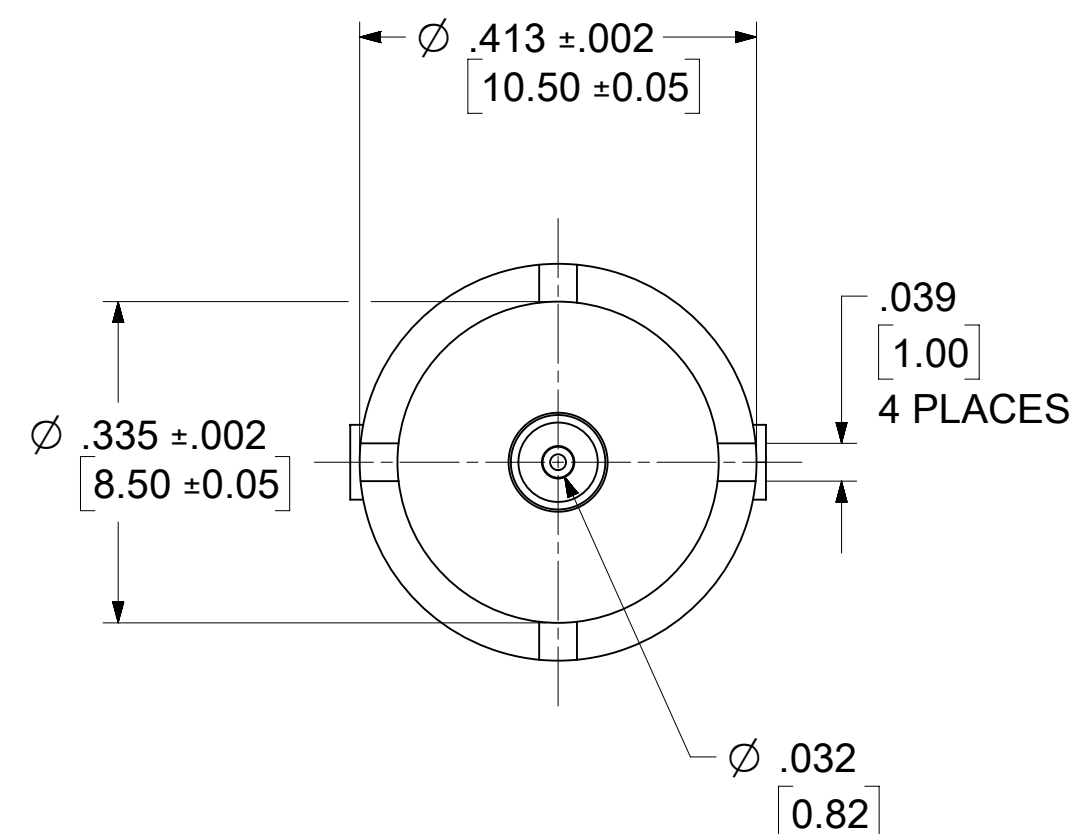
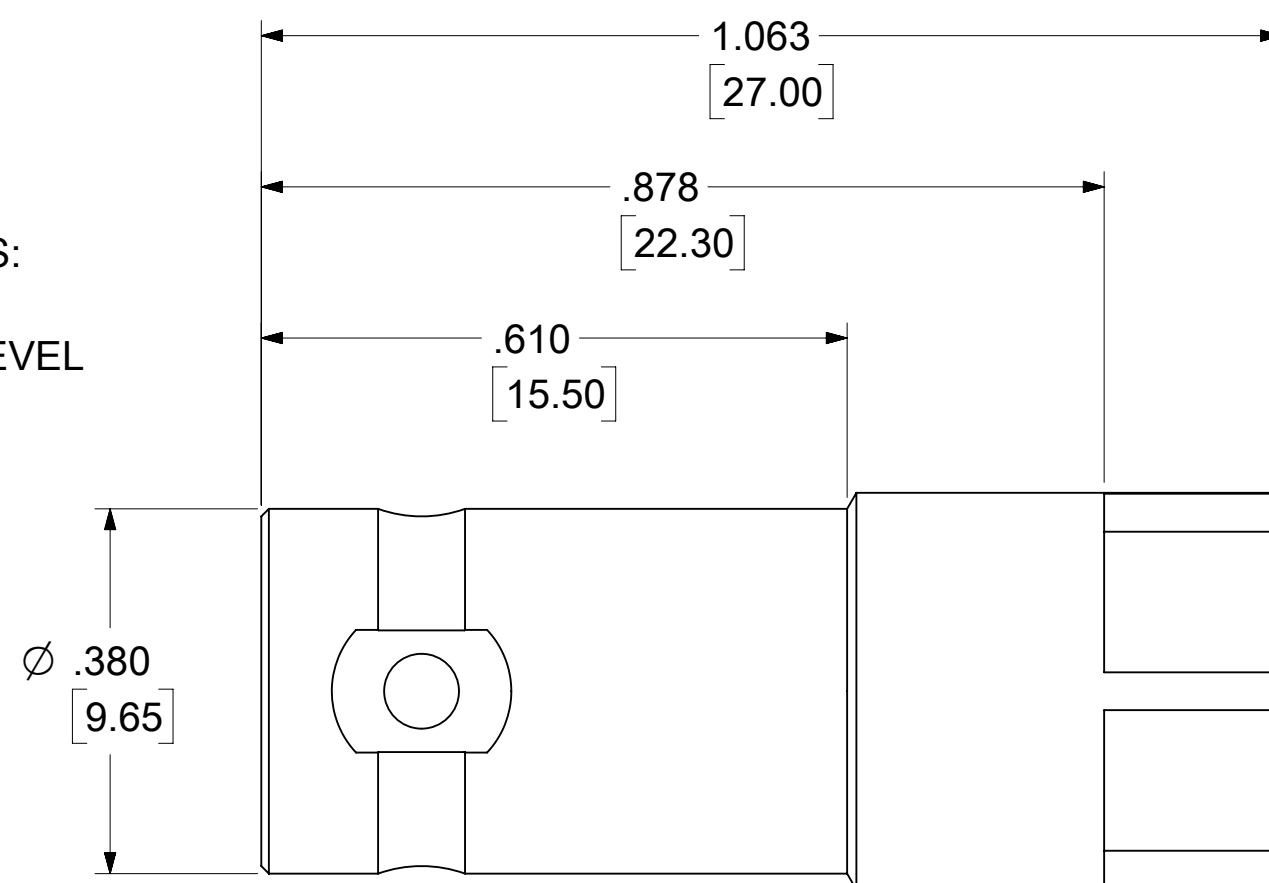
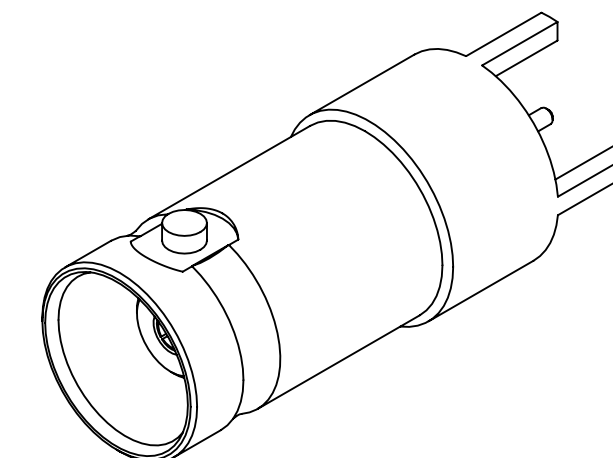
BODY ----- BRASS
 CENTER CONTACT -- PHOSPHOR BRONZE
 INSULATOR ----- TEFLON

FINISH:

BODY ----- NICKEL PLATING
 CENTER CONTACT -- GOLD PLATING (1 ~ 3u")

MECHANICAL & ELECTRICAL CHARACTERISTICS:

WORKING VOLTAGE : 500V RMS MAX. AT SEA LEVEL
 NORMAL IMPEDANCE : 50 OHMS
 FREQUENCY RANGE : 0-2 GHz
 VSWR : 1.18 Max. @ 2 GHz
 INSERTION LOSS : 0.15dB @ 2 GHz
 TEMPERATURE RANGE : -20°C TO +85°C



LABEL WITH EACH BAG
 FOR 73171-6940

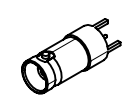
MOLEX P/N: 73171-6940
 DATE: YYWW

73171-6940	73100-0133, ONE PER BAG
73100-0133	TRAY
PART NO.	PACKAGING

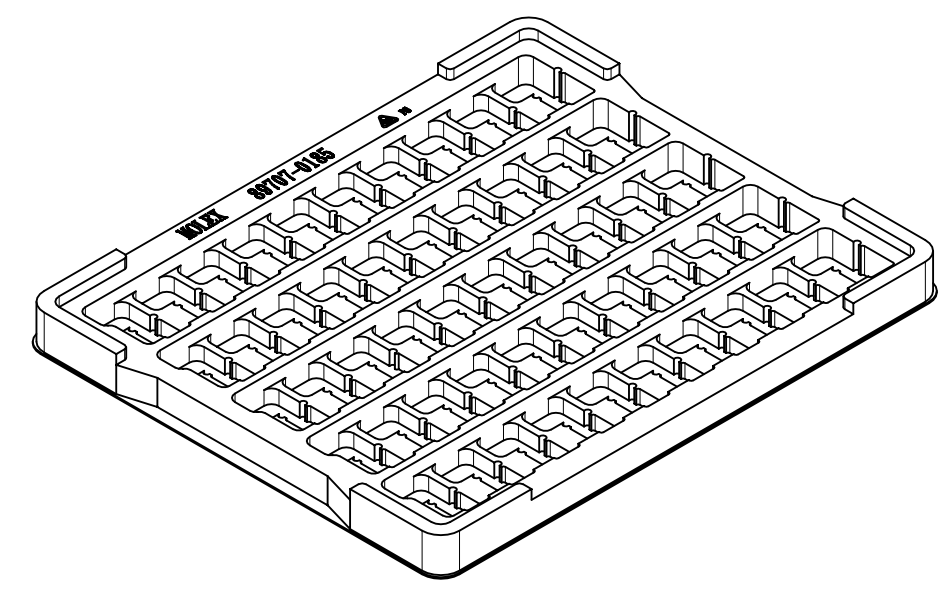
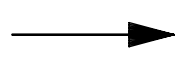
PS-89675-103	PRODUCT SPECIFICATION
SPECIFICATION	DESCRIPTION

THIS DRAWING CONTAINS INFORMATION THAT IS PROPRIETARY TO MOLEX ELECTRONIC TECHNOLOGIES, LLC AND SHOULD NOT BE USED WITHOUT WRITTEN PERMISSION

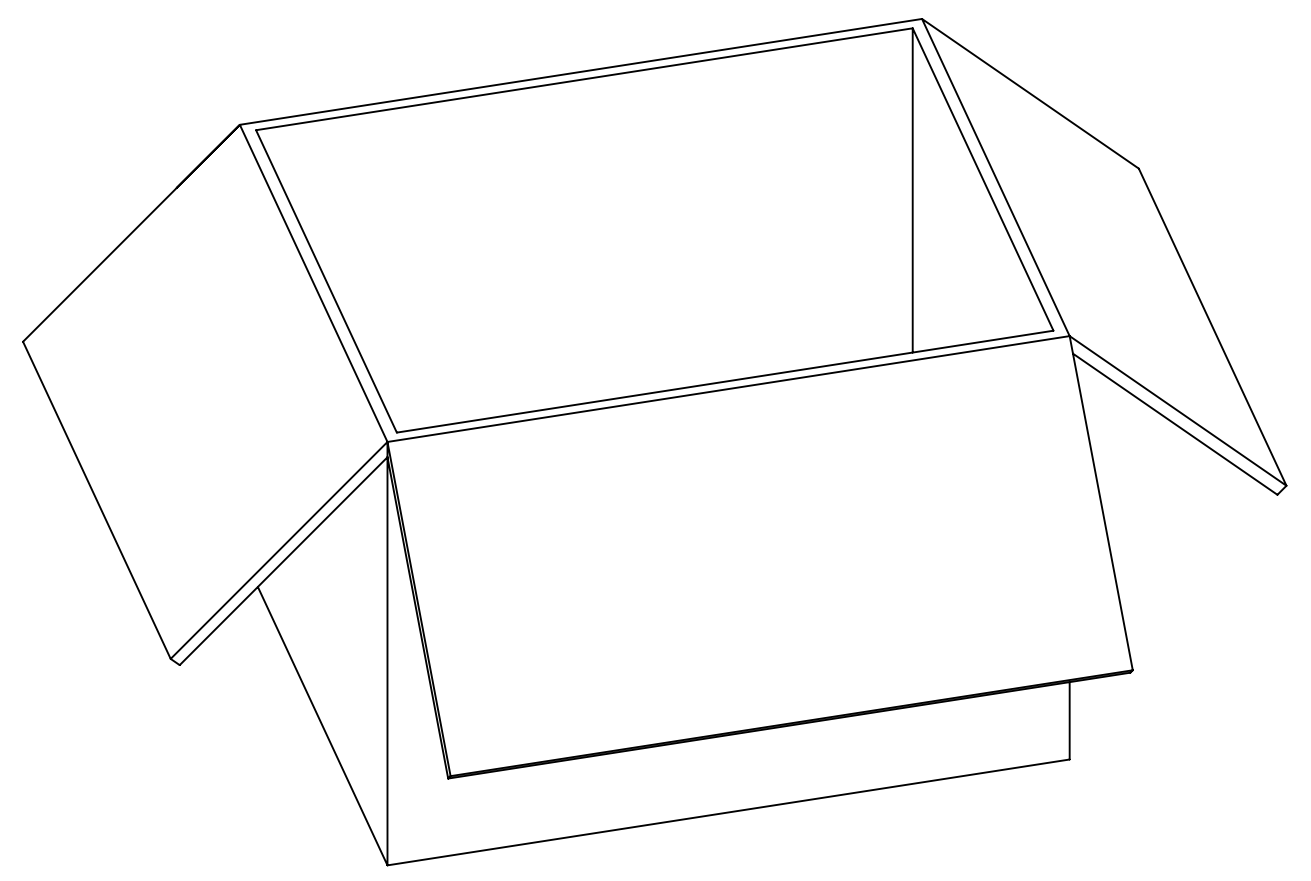
DIMENSION UNITS	SCALE	CURRENT REV DESC: ADD LABEL FOR 73171-6940 PER EWR #14242-H	molex		
INCH/MM	NTS				
GENERAL TOLERANCES (UNLESS SPECIFIED)			BNC JACK STR PCB TH 50 OHMS EWR-13589		
ANGULAR TOL	± 0.5°	EC NO: 660983	PRODUCT CUSTOMER DRAWING		
4 PLACES	±	DRWN: RYEH 2021/03/25	DOCUMENT NUMBER		
3 PLACES	±	CHK'D: YCHENG 2021/04/21	XSDA-73100-0133		
2 PLACES	±	APPR: YCHENG 2021/04/21	PSD 001		
1 PLACE	±	INITIAL REVISION:	A3		
0 PLACES	±	DRWN: ELIN 2020/03/06	SHEET NUMBER		
		APPR: GHUBBARD 1990/12/28	1 OF 3		
DRAFT WHERE APPLICABLE MUST REMAIN WITHIN DIMENSIONS	THIRD ANGLE PROJECTION	DRAWING C-SIZE	SERIES 73100	MATERIAL NUMBER SEE TABLE	CUSTOMER GENERAL MARKET



P/N: 73100-0133



50 SETS PER TRAY
P/N: 89707-0185

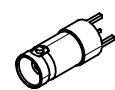


1000 SETS PER CARTON BOX
P/N: 89499-9027

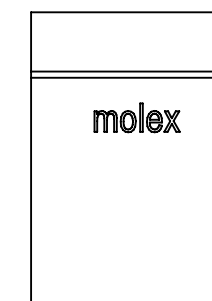
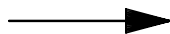
THIS DRAWING CONTAINS INFORMATION THAT IS PROPRIETARY TO MOLEX ELECTRONIC TECHNOLOGIES, LLC AND SHOULD NOT BE USED WITHOUT WRITTEN PERMISSION

DIMENSION UNITS		SCALE		CURRENT REV DESC: ADD LABEL FOR 73171-6940 PER EWR #14242-H		molex			
INCH/MM		NTS							
GENERAL TOLERANCES (UNLESS SPECIFIED)						BNC JACK STR PCB TH 50 OHMS EWR-13589			
ANGULAR TOL ± 0.5°									
4 PLACES		±		EC NO: 660983		PRODUCT CUSTOMER DRAWING			
3 PLACES		±		DRWN: RYEH 2021/03/25					
2 PLACES		±		CHK'D: YCHENG 2021/04/21					
1 PLACE		±		APPR: YCHENG 2021/04/21		DOCUMENT NUMBER XSDA-73100-0133			
0 PLACES		±		INITIAL REVISION: DRWN: ELIN 2020/03/06 APPR: GHUBBARD 1990/12/28					
DRAFT WHERE APPLICABLE MUST REMAIN WITHIN DIMENSIONS		THIRD ANGLE PROJECTION		DRAWING C-SIZE	SERIES 73100	MATERIAL NUMBER		CUSTOMER GENERAL MARKET	SHEET NUMBER 2 OF 3

DOCUMENT STATUS	P1	RELEASE DATE	2021/04/21	06:23:48
-----------------	----	--------------	------------	----------



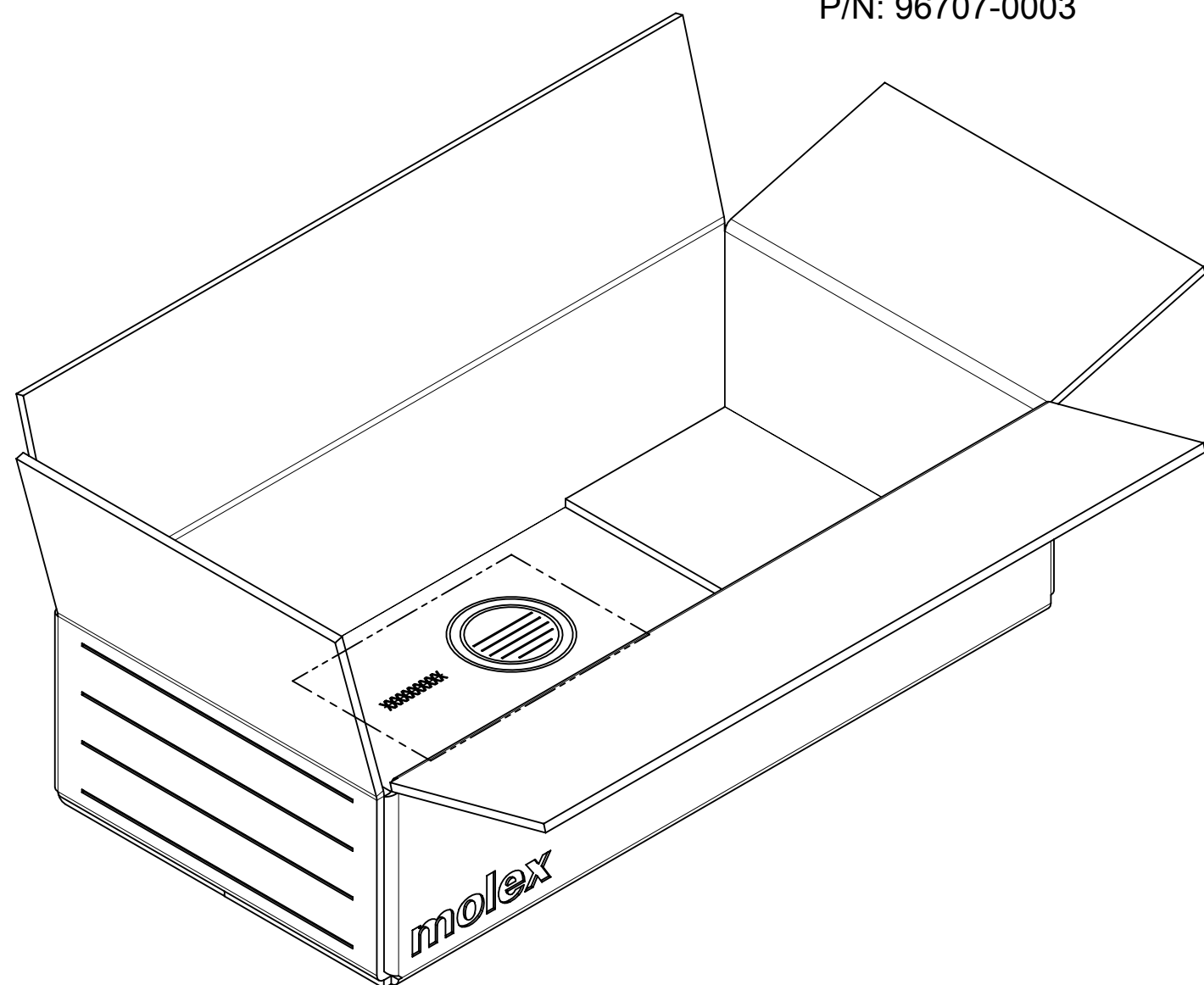
P/N: 73100-0133



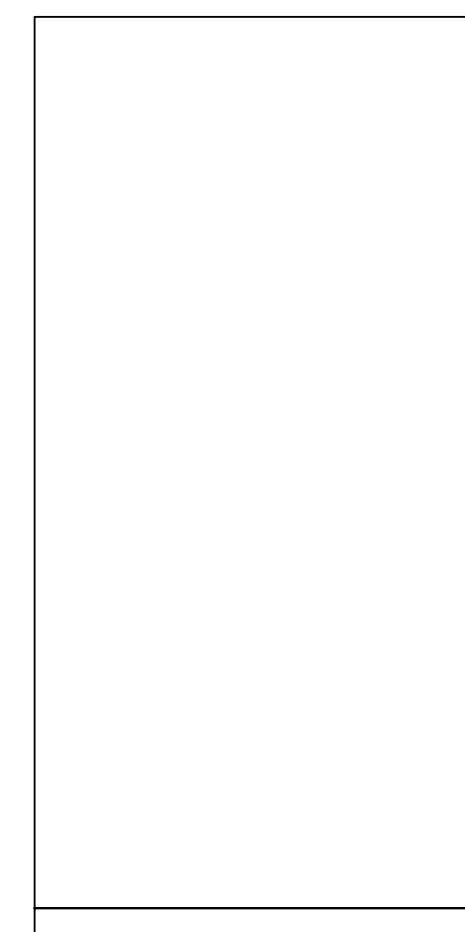
1 SET PER BAG
P/N: 89707-0317



P/N: 73171-6940
300 X 73100-0133 PER CARTON BOX
P/N: 96707-0003



300 SETS PER CARTON BOX
P/N: 96707-0003



50 SETS PER BAG
P/N: 89707-0174

THIS DRAWING CONTAINS INFORMATION THAT IS PROPRIETARY TO MOLEX ELECTRONIC TECHNOLOGIES, LLC AND SHOULD NOT BE USED WITHOUT WRITTEN PERMISSION

DIMENSION UNITS		SCALE		CURRENT REV DESC: ADD LABEL FOR 73171-6940 PER EWR #14242-H				molex					
INCH/MM		NTS											
GENERAL TOLERANCES (UNLESS SPECIFIED)								BNC JACK STR PCB TH 50 OHMS EWR-13589					
ANGULAR TOL ± 0.5°													
4 PLACES ±				EC NO: 660983				PRODUCT CUSTOMER DRAWING					
3 PLACES ±				DRWN: RYEH		2021/03/25							
2 PLACES ±				CHK'D: YCHENG		2021/04/21		DOCUMENT NUMBER XSDA-73100-0133					
1 PLACE ±				APPR: YCHENG		2021/04/21						DOC TYPE PSD	
0 PLACES ±				INITIAL REVISION:				MATERIAL NUMBER GENERAL MARKET					
				DRWN: ELIN		2020/03/06						SHEET NUMBER 3 OF 3	
				APPR: GHUBBARD		1990/12/28		THIRD ANGLE PROJECTION 					
DRAFT WHERE APPLICABLE MUST REMAIN WITHIN DIMENSIONS				DRAWING C-SIZE		SERIES 73100							

DOCUMENT STATUS	P1	RELEASE DATE	2021/04/21	06:23:48
-----------------	----	--------------	------------	----------