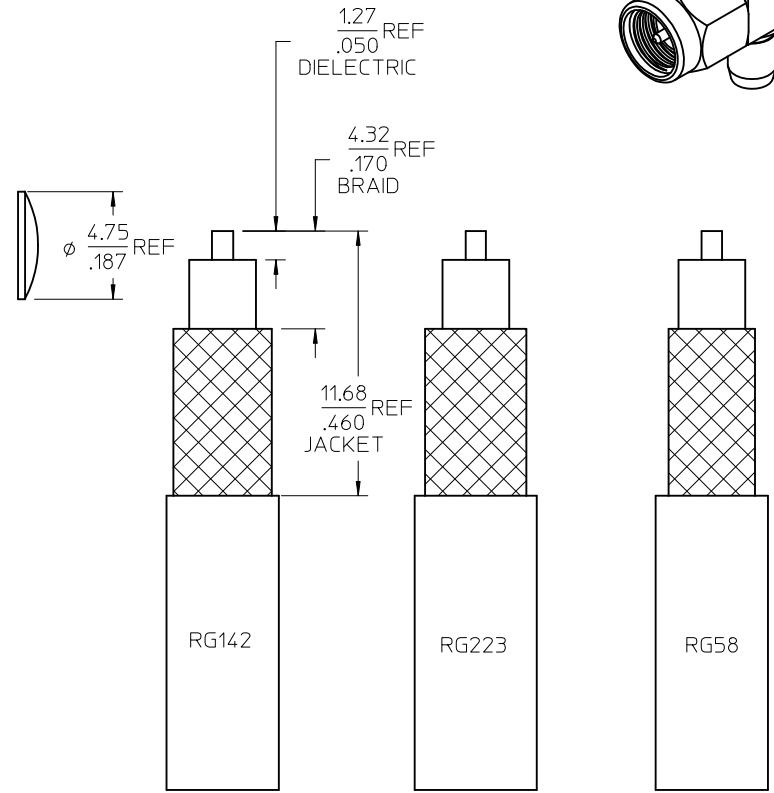
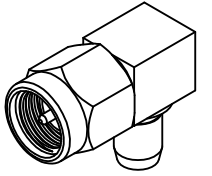
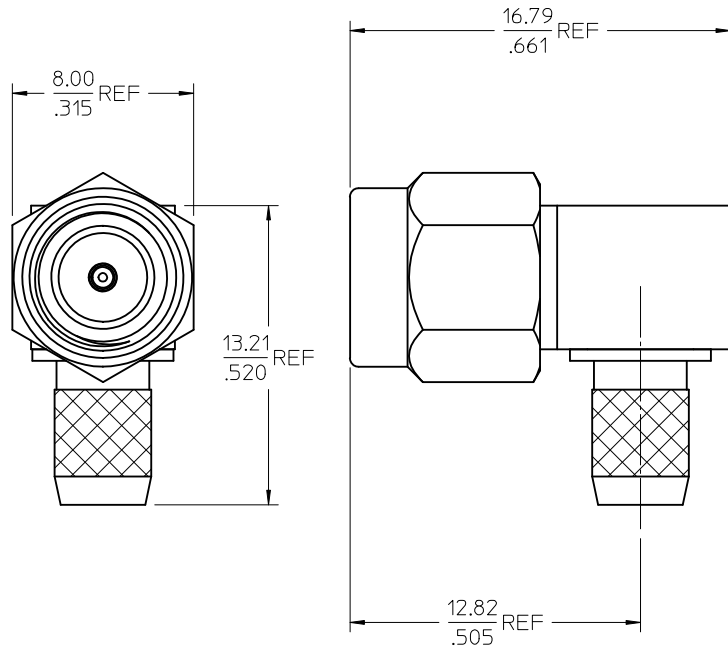


MATERIALS AND FINISHES

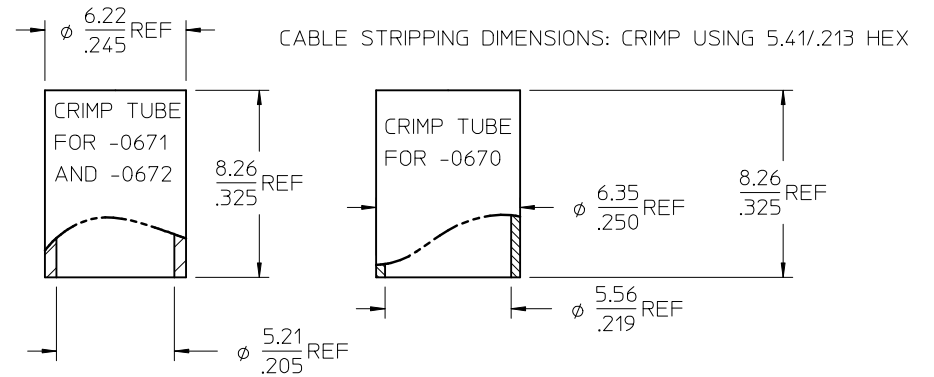
BODY, CAP, C'NUT, CONTACT,
CRIMP TUBE: BRASS
PLATED GOLD

INSULATOR: TEFLON



PS-89675-3460	ELECTRO/MECH PERFORM.
MIL-STD-348A, FIG. 310.1	INTERFACE
SPECIFICATION	DESCRIPTION

73251-0672	RG58 / SINGLE BAG
73251-0671	RG58 / BULK PACK
73251-0670	RG55, RG142, RG223 / BULK PACK
PART NO.	CABLE GROUP / PACKAGING



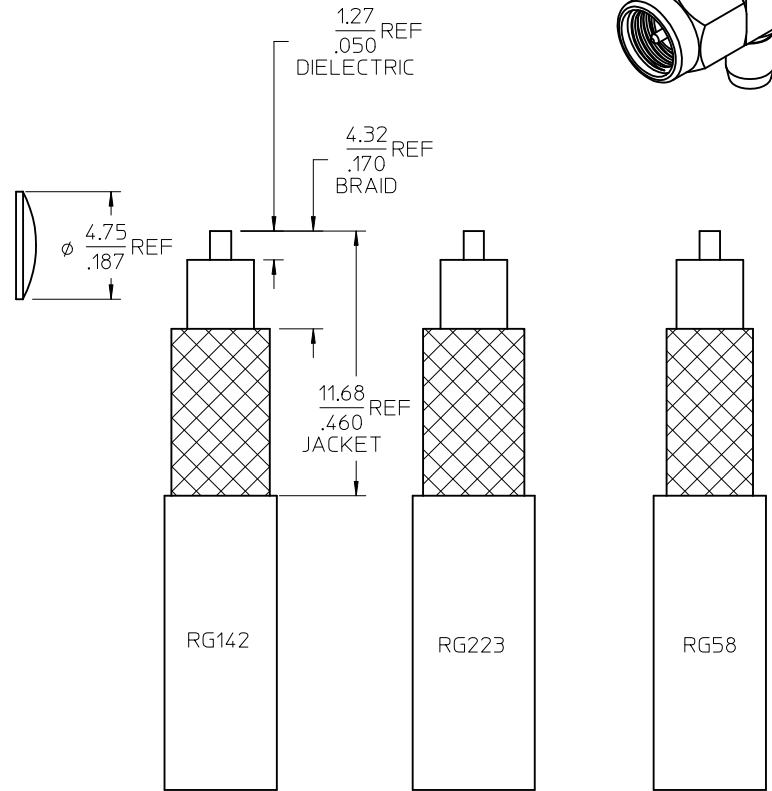
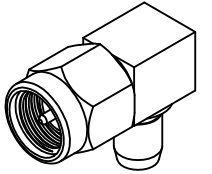
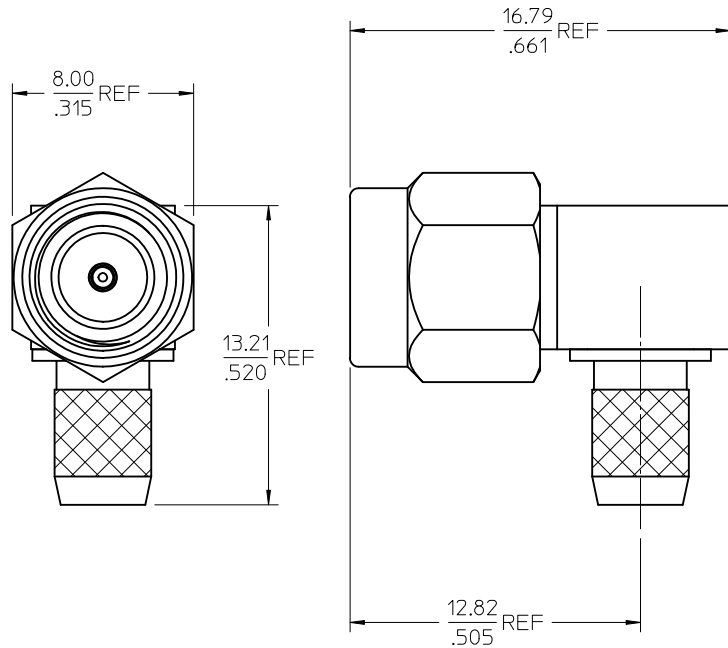
CHG: ADD -0672 PS WAS ES-89675-1190 ADD PACKAGING EC NO: URF2012-0421 DRWN: JWIENER 2012/01/25 CHKD: SSS 2012/01/25 APPR: JWIENER 2012/01/27 DESCRIPTION REV: A2	QUALITY SYMBOLS	▽=0 ▽=0
	GENERAL TOLERANCES (UNLESS SPECIFIED) DIMENSION STYLE: MM/IN SCALE: METRIC DESIGN UNITS: METRIC THIRD ANGLE PROJECTION	

4 PLACES ± --- ± --- 3 PLACES ± --- ± --- 2 PLACES ± --- ± --- 1 PLACE ± --- ± --- ANGULAR ± 2 °	DRAWN BY: GMH DATE: 2001/04/18 CHECKED BY: SSS DATE: 2001/04/18 APPROVED BY: GMH DATE: 2001/04/18	TITLE: SMA PLUG R/A 50 OHM RG58/223 SMA-PC, EWR-1320 MOLEX INCORPORATED DOCUMENT NO. SD-73251-067 SHEET NO. 1 OF 1
DRAFT WHERE APPLICABLE MUST REMAIN WITHIN DIMENSIONS SEE TABLE THIS DRAWING CONTAINS INFORMATION THAT IS PROPRIETARY TO MOLEX INCORPORATED AND SHOULD NOT BE USED WITHOUT WRITTEN PERMISSION		

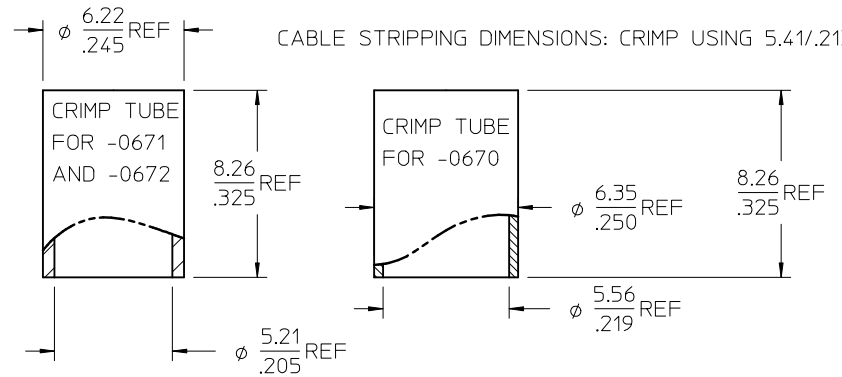
MATERIALS AND FINISHES

BODY, CAP, C'NUT, CONTACT,
CRIMP TUBE: BRASS
PLATED GOLD

INSULATOR: TEFLON



CABLE STRIPPING DIMENSIONS: CRIMP USING 5.41/.213 HEX



PS-89675-3460	ELECTRO/MECH PERFORM.
MIL-STD-348A, FIG. 310.1	INTERFACE
SPECIFICATION	DESCRIPTION

73251-0672	RG58 / SINGLE BAG
73251-0671	RG58 / BULK PACK
73251-0670	RG55, RG142, RG223 / BULK PACK
PART NO.	CABLE GROUP / PACKAGING

CHG: ADD -0672
PS WAS
ES-89675-1190
ADD PACKAGING
EC NO: URF2012-0421
DRWN: JWIENER 2012/01/25
CHKD: SSS 2012/01/25
APPR: JWIENER 2012/01/27

QUALITY SYMBOLS
 =0
 =0
 DESCRIPTION
 REV A2

GENERAL TOLERANCES (UNLESS SPECIFIED)

	mm	INCH
4 PLACES	± .005	± .0002
3 PLACES	± .004	± .00015
2 PLACES	± .003	± .0001
1 PLACE	± .002	± .000075

ANGULAR ± 2 °

DRAFT WHERE APPLICABLE
MUST REMAIN
WITHIN DIMENSIONS

DIMENSION STYLE
MM/IN

DRAWN BY DATE
GMH 2001/04/18

CHECKED BY DATE
SSS 2001/04/18

APPROVED BY DATE
GMH 2001/04/18

MATERIAL NO.
SEE TABLE

SIZE
C

SCALE
DESIGN UNITS
METRIC

THIRD ANGLE PROJECTION

TITLE
SMA PLUG R/A
50 OHM RG58/223
SMA-PC, EWR-1320

MOLEX MOLEX INCORPORATED

DOCUMENT NO.
SD-73251-067

SHEET NO.
1 OF 1

THIS DRAWING CONTAINS INFORMATION THAT IS PROPRIETARY TO MOLEX INCORPORATED AND SHOULD NOT BE USED WITHOUT WRITTEN PERMISSION