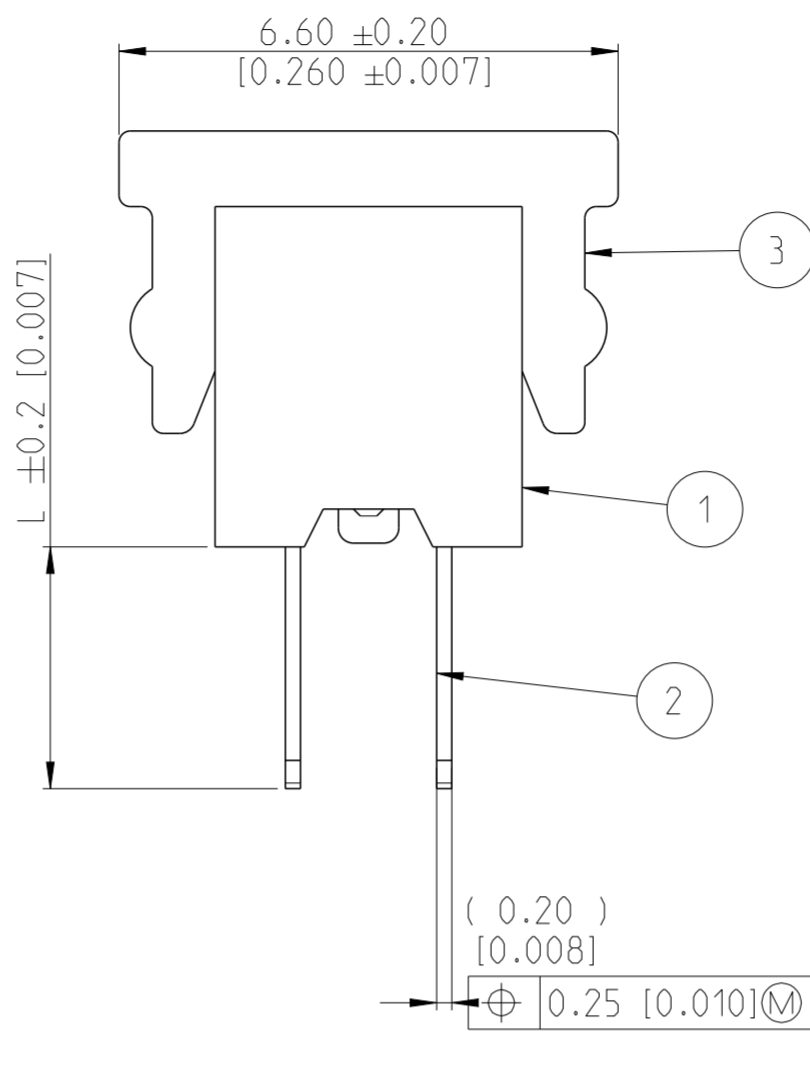
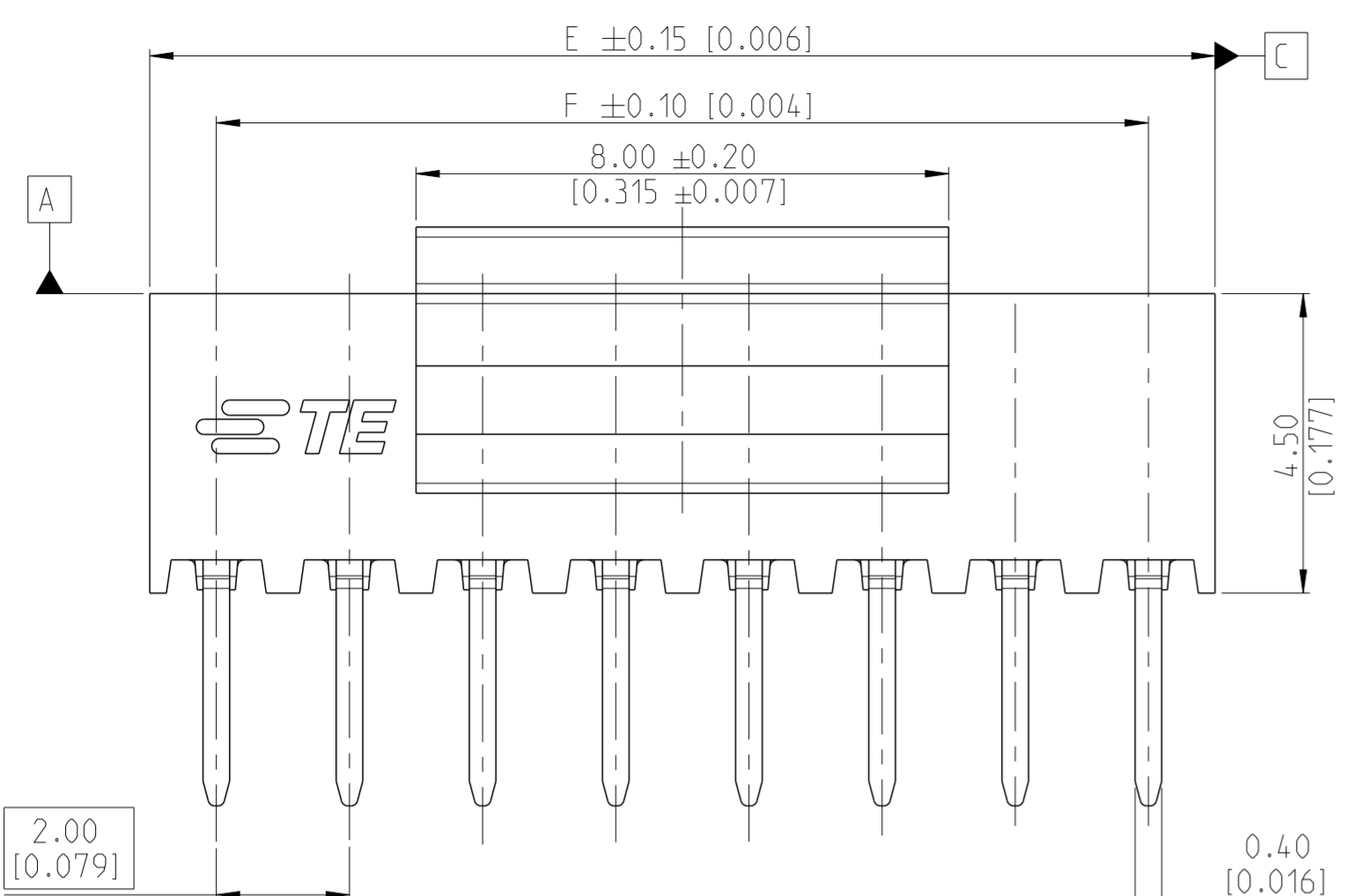
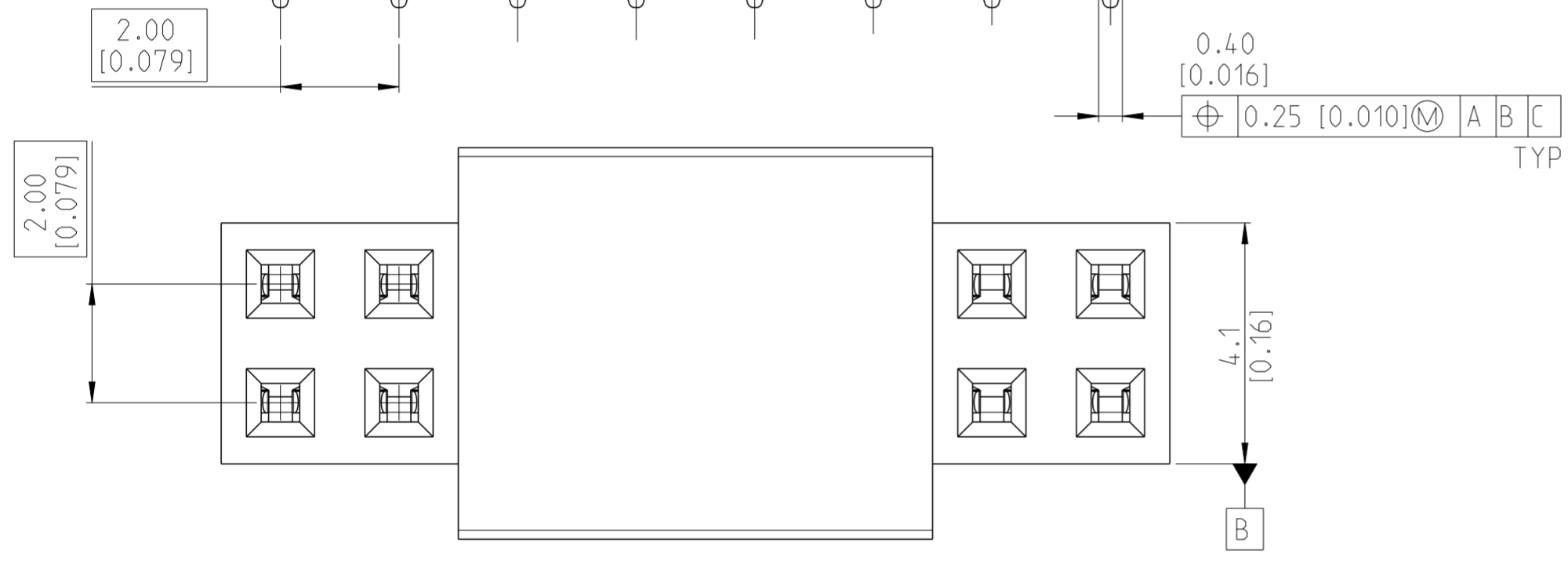


THIS DRAWING IS UNPUBLISHED. RELEASED FOR PUBLICATION 20  
 © COPYRIGHT 20 BY - ALL RIGHTS RESERVED.

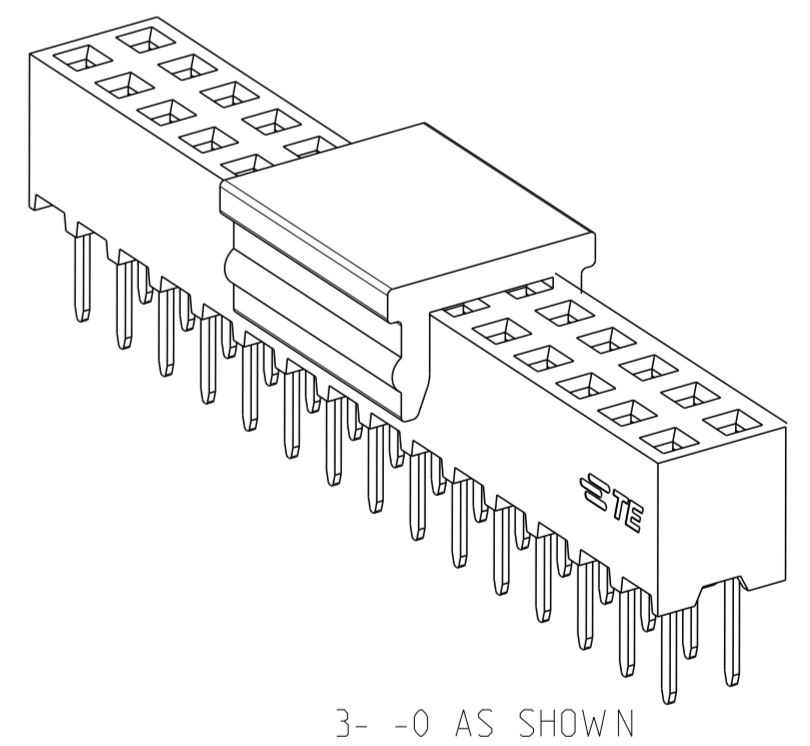
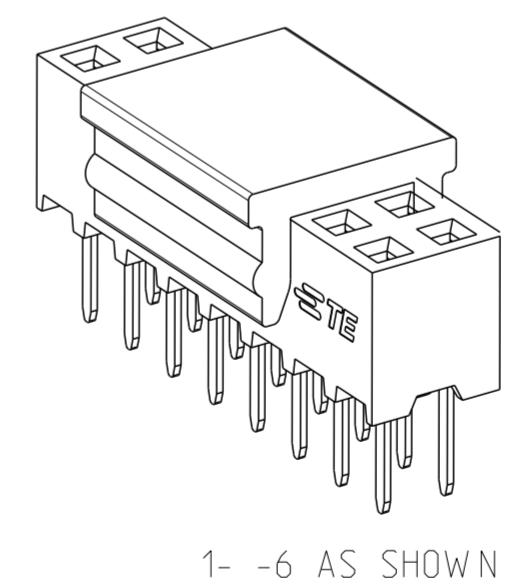
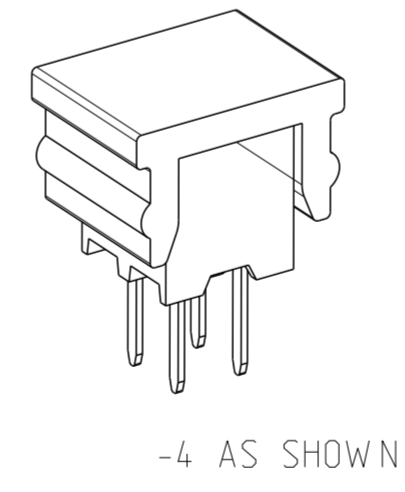
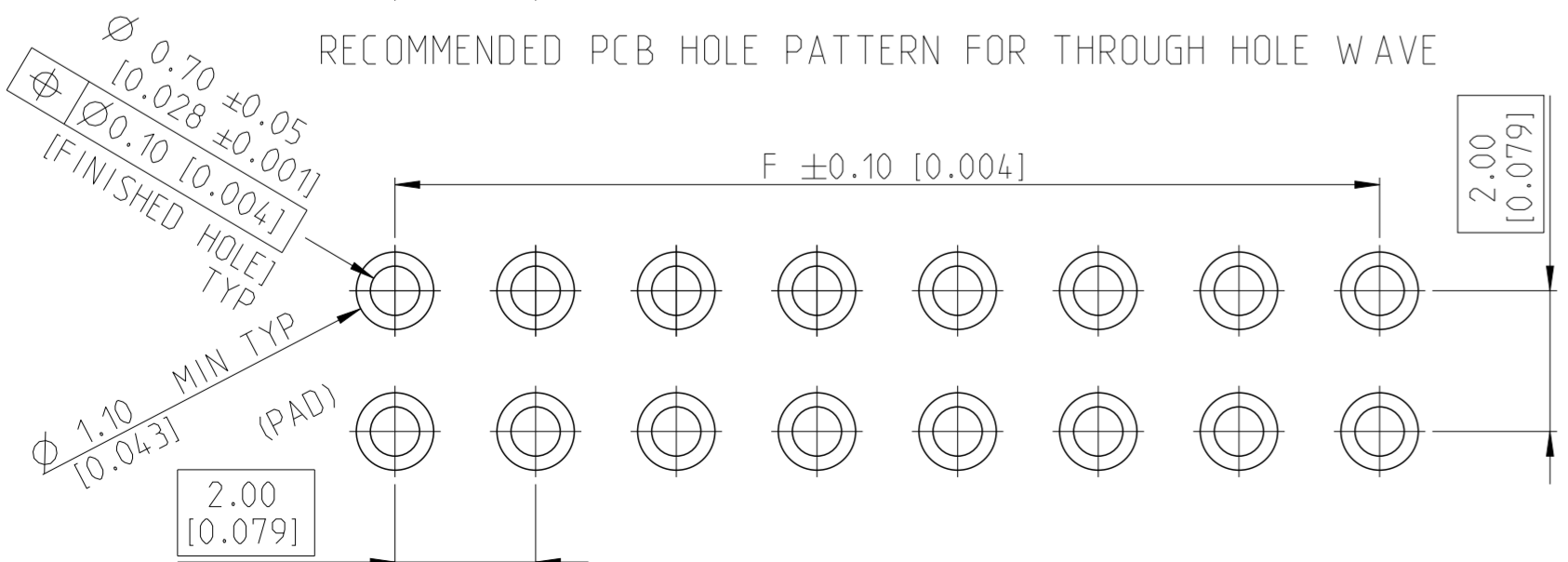
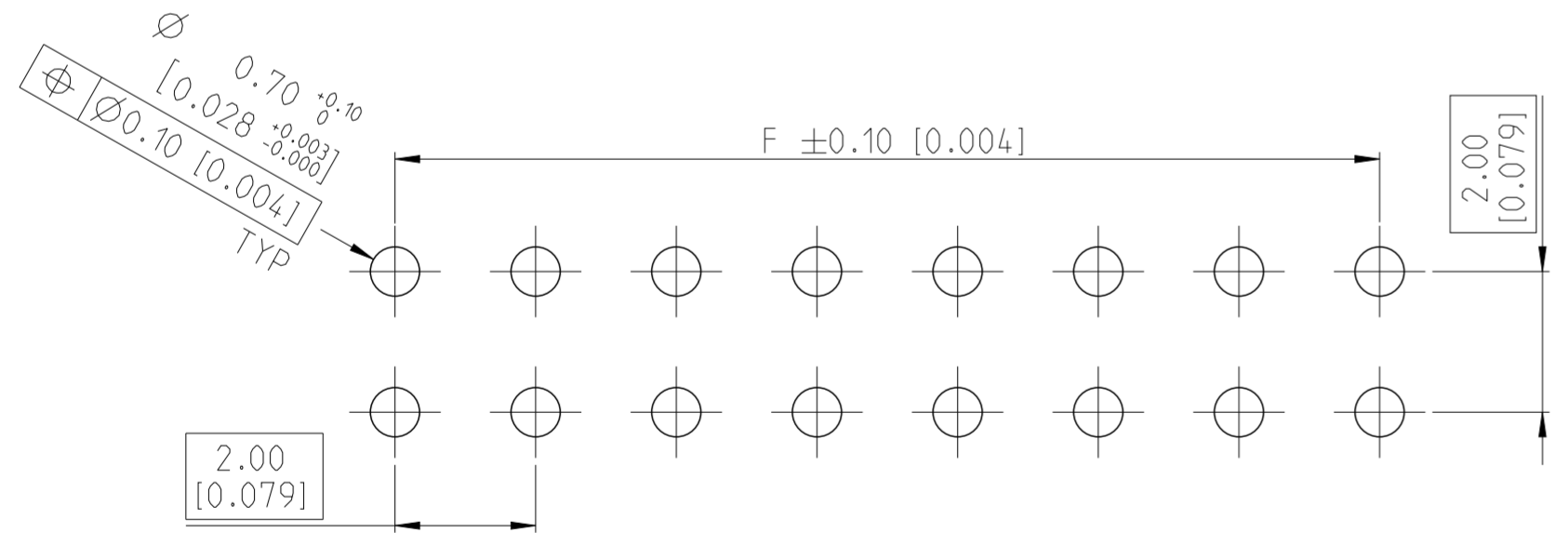
| REVISIONS |     |  |           |       |
|-----------|-----|--|-----------|-------|
| P         | LTR | DESCRIPTION                                | DATE      | APVD  |
| A         |     | RELEASE GOLD PLATED VERSIONS TO PRODUCTION | 04SEP2019 | AY PS |
| A1        |     | RELEASE TIN PLATED VERSIONS TO PRODUCTION  | 14APR2020 | AY PS |



- NOTES:
- MATERIAL:  
HOUSING AND P&P CAP: LCP, UL94 V0, BLACK  
CONTACT: PHOSPHOR BRONZE, 0.20mm THICK
- FINISH:
- △2 ALL OVER 3-5µm TIN OVER MIN 1.27µm NICKEL UNDERPLATE
  - △3 CONTACT AREA: MIN 0.1µm GOLD  
SOLDER TAIL: 3-5µm TIN  
UNDERPLATING: MIN 1.27µm NICKEL ALL OVER
  - △4 CONTACT AREA: MIN 0.38µm GOLD  
SOLDER TAIL: 3-5µm TIN  
UNDERPLATING: MIN 1.27µm NICKEL ALL OVER
  - △5 CONTACT AREA: MIN 0.76µm GOLD  
SOLDER TAIL: 3-5µm TIN  
UNDERPLATING: MIN 1.27µm NICKEL ALL OVER
6. N = NO. OF POSITIONS PER CONNECTOR



|             |      |
|-------------|------|
| P&P CAP     | 3    |
| CONTACT     | 2    |
| HOUSING     | 1    |
| DESCRIPTION | ITEM |



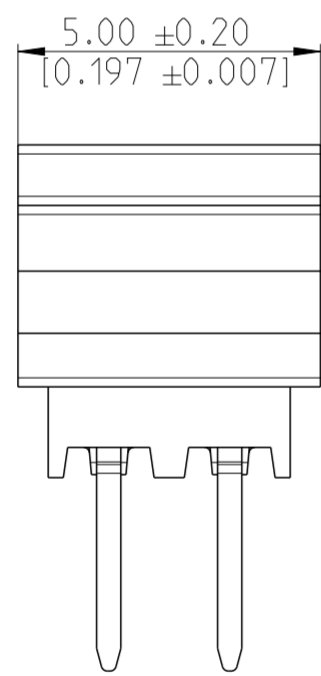
|  |                  |                                |  |                 |
|--|------------------|--------------------------------|--|-----------------|
| THIS DRAWING IS A CONTROLLED DOCUMENT. |                  | DWN 02NOV2017<br>SOURAV DAS    | TE Connectivity                            |                 |
| DIMENSIONS: mm [inch]                  |                  | CHK 19JULY2018<br>SHARATH S    |  |                 |
| TOLERANCES UNLESS OTHERWISE SPECIFIED: |                  | APVD 19JULY2018<br>PRASHANTH S | NAME AMPMODU 2mm BtB DRVT TOP ENTRY TH/THR |                 |
| 0 PLC ±                                | 1 PLC ±0.2       | PRODUCT SPEC 108-64040         | SIZE A2                                    | CAGE CODE 00779 |
| 2 PLC ±0.1 [0.008]                     | 3 PLC ± [0.004]  | APPLICATION SPEC 114-32186     | DRAWING NO C-2307776                       | RESTRICTED TO - |
| 4 PLC ±                                | ANGLES ±2°       | WEIGHT -                       | SCALE 5:1                                  | SHEET 1 OF 2    |
| MATERIAL SEE NOTES                     | FINISH SEE NOTES | CUSTOMER DRAWING               | REV A1                                     |                 |

THIS DRAWING IS UNPUBLISHED. RELEASED FOR PUBLICATION 20  
 © COPYRIGHT 20 BY - ALL RIGHTS RESERVED.

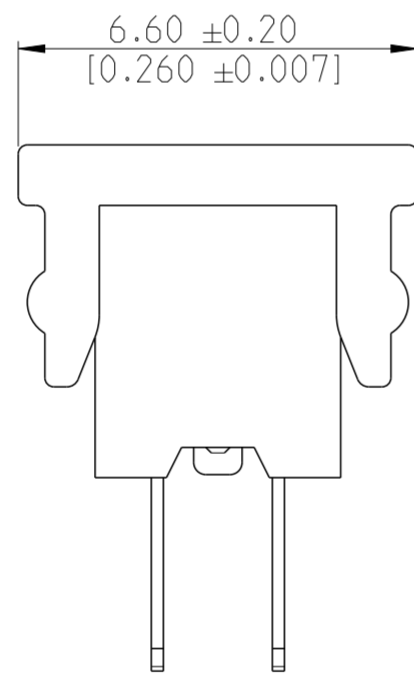
| REVISIONS |     |             |      |      |
|-----------|-----|-------------|------|------|
| P         | LTR | DESCRIPTION | DATE | APVD |
| -         |     | SEE SHEET 1 | -    | -    |
|           |     |             |      |      |
|           |     |             |      |      |

| MATING SIDE PLATING (FINISH)        | "L" SOLDER TAIL LENGTH | BTB RECEPTACLE BASE NUMBERS |                  |                    |
|-------------------------------------|------------------------|-----------------------------|------------------|--------------------|
|                                     |                        | TAPE & REEL PKG W / CAP     | TUBE PKG W / CAP | TUBE PKG W / O CAP |
| TIN<br>△ <sub>2</sub>               | 2.0[0.079]             | 2307776                     | 2314811          | A/R                |
|                                     | 2.7[0.106]             | 2307777                     | 2314823          | 2314819            |
|                                     | 3.2[0.126]             | A/R                         | A/R              | 2307778            |
| GOLD FLASH 0.1 μm<br>△ <sub>3</sub> | 2.0[0.079]             | 2307779                     | 2314812          | A/R                |
|                                     | 2.7[0.106]             | 2307780                     | 2314824          | 2314820            |
|                                     | 3.2[0.126]             | A/R                         | A/R              | 2307781            |
| GOLD 0.38 μm<br>△ <sub>4</sub>      | 2.0[0.079]             | 2307782                     | 2314813          | A/R                |
|                                     | 2.7[0.106]             | 2307783                     | 2314825          | 2314821            |
|                                     | 3.2[0.126]             | A/R                         | A/R              | 2307784            |
| GOLD 0.76 μm<br>△ <sub>5</sub>      | 2.0[0.079]             | 2307785                     | 2314814          | A/R                |
|                                     | 2.7[0.106]             | 2307786                     | 2314826          | 2314822            |
|                                     | 3.2[0.126]             | A/R                         | A/R              | 2307787            |

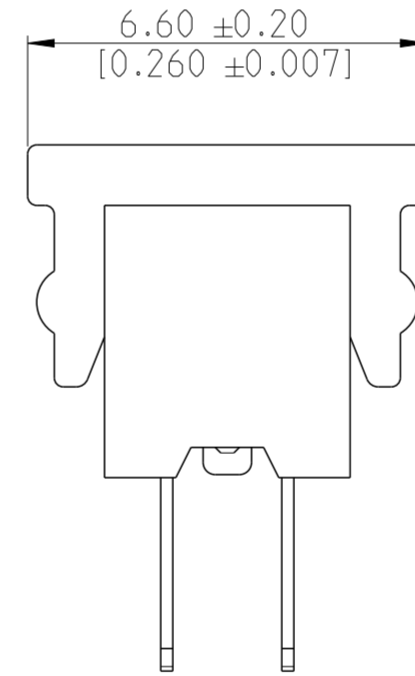
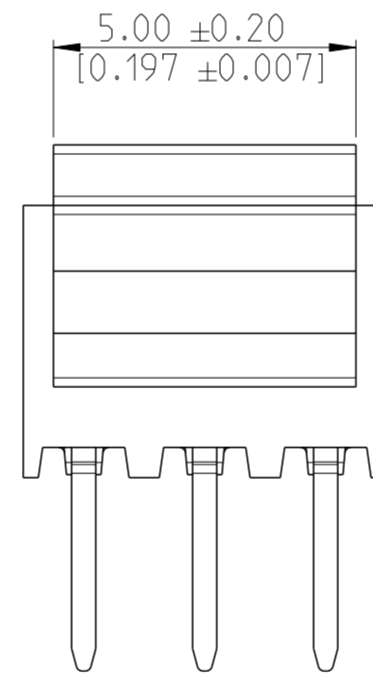
\* A/R- AVAILABLE ON REQUEST



-4 AS SHOWN



-6 AS SHOWN



|         |         |    |       |
|---------|---------|----|-------|
| 48      | 50      | 50 | 5- -0 |
| 46      | 48      | 48 | 4- -8 |
| 44      | 46      | 46 | 4- -6 |
| 42      | 44      | 44 | 4- -4 |
| 40      | 42      | 42 | 4- -2 |
| 38      | 40      | 40 | 4- -0 |
| 36      | 38      | 38 | 3- -8 |
| 34      | 36      | 36 | 3- -6 |
| 32      | 34      | 34 | 3- -4 |
| 30      | 32      | 32 | 3- -2 |
| 28      | 30      | 30 | 3- -0 |
| 26      | 28      | 28 | 2- -8 |
| 24      | 26      | 26 | 2- -6 |
| 22      | 24      | 24 | 2- -4 |
| 20      | 22      | 22 | 2- -2 |
| 18      | 20      | 20 | 2- -0 |
| 16      | 18      | 18 | 1- -8 |
| 14      | 16      | 16 | 1- -6 |
| 12      | 14      | 14 | 1- -4 |
| 10      | 12      | 12 | 1- -2 |
| 8       | 10      | 10 | 1- -0 |
| 6       | 8       | 8  | -8    |
| 4       | 6       | 6  | -6    |
| 2       | 4       | 4  | -4    |
| DIM "F" | DIM "E" | N  | FG PN |

|  |  |                                |  |                      |
|--|--|--------------------------------|--|----------------------|
| THIS DRAWING IS A CONTROLLED DOCUMENT. |  | DWN 02NOV2017<br>SOURAV DAS    | TE Connectivity                            |                      |
| DIMENSIONS: mm [inch]                  |  | CHK 19JULY2018<br>SHARATH S    |  |                      |
| TOLERANCES UNLESS OTHERWISE SPECIFIED: |  | APVD 19JULY2018<br>PRASHANTH S | NAME AMPMODU 2mm BtB DRVT TOP ENTRY TH/THR |                      |
| 0 PLC ±                                |  | PRODUCT SPEC 108-64040         | SIZE A2                                    |                      |
| 1 PLC ±0.2                             |  | APPLICATION SPEC 114-32186     | CAGE CODE 00779                            | DRAWING NO C-2307776 |
| 2 PLC ±0.1 [0.008]                     |  | WEIGHT -                       | RESTRICTED TO -                            |                      |
| 3 PLC ± [0.004]                        |  | CUSTOMER DRAWING               | SCALE 5:1                                  | SHEET 2 OF 2         |
| 4 PLC ±                                |  |                                | REV A1                                     |                      |
| ANGLES ±2°                             |  |                                |  |                      |
| FINISH                                 |  |                                |  |                      |
| MATERIAL SEE NOTES                     |  |                                |  |                      |
| SEE NOTES                              |  |                                |  |                      |