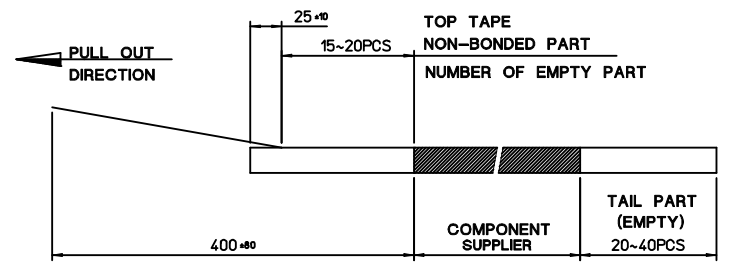
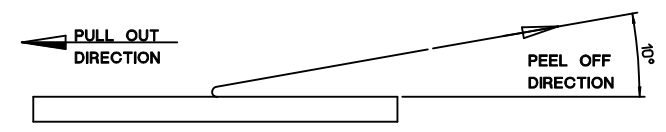


NOTES

- 1. QUANTITY OF CONNECTORS : 1,500PCS/REEL
- 2. LEAD LENGTH



- 3. PEELING OFF FORCE OF COVER TAPE : 0.1N~0.59N(10.2GF~80GF)
(PEELING DIRECTION AS SHOW IN FOLLOW FIG.)
- PEELING OFF SPEED : 300mm/Min.(Ref.)



PROPOSAL	EC NO: KOR2016-0021	2015/08/20
	DRWN: IHYOU	2015/08/20
	CHKD:	
	APPR: YSKIM02	2015/08/20
REV	DESCRIPTION	

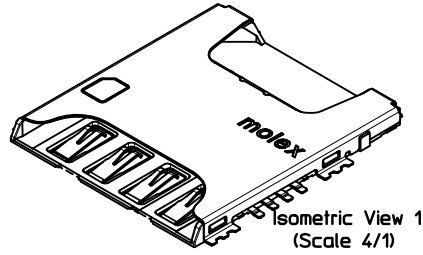
QUALITY SYMBOLS	▽=0
	▽=0

GENERAL TOLERANCES (UNLESS SPECIFIED)	mm	INCH	
	4 PLACES	± ---	± ---
	3 PLACES	± ---	± ---
	2 PLACES	± ---	± ---
	1 PLACE	± 0.25	± ---
	0 PLACE	± ---	± ---
ANGULAR ± 1 °			
DRAFT WHERE APPLICABLE MUST REMAIN WITHIN DIMENSIONS			

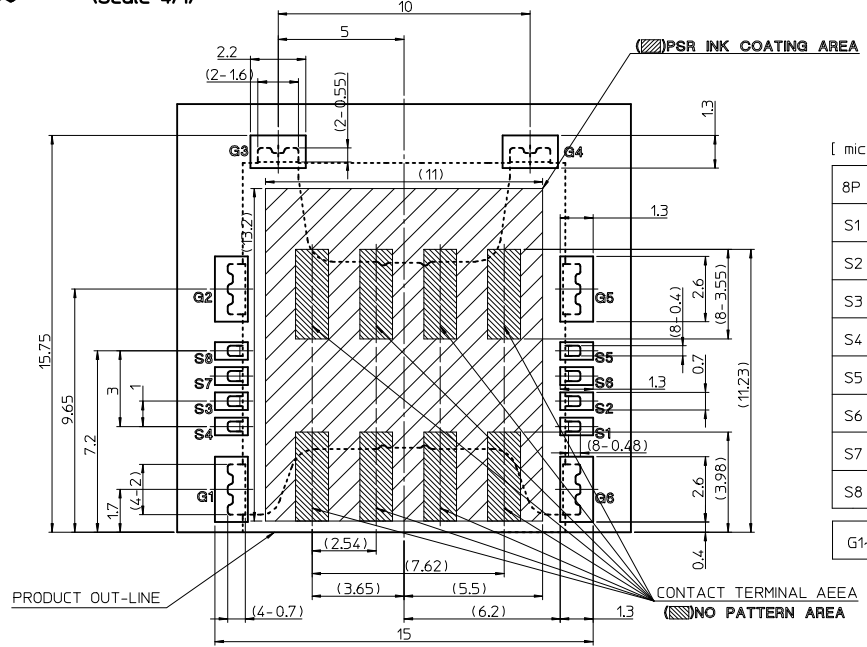
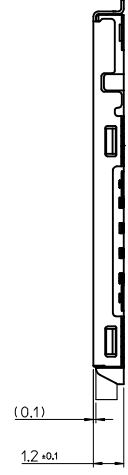
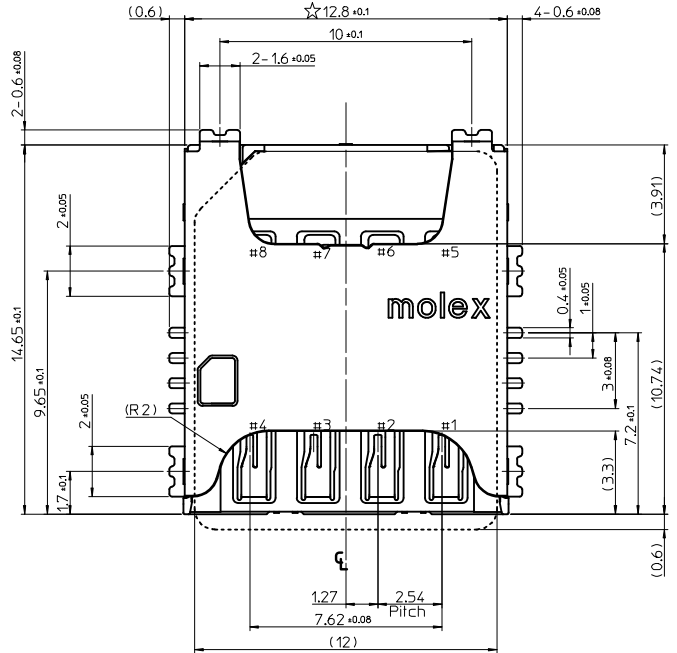
DIMENSION STYLE		SCALE	DESIGN UNITS	THIRD ANGLE PROJECTION
MM ONLY		2:1	METRIC	
DRAWN BY	DATE	TITLE		
IHYOU	2013/12/22	MICROSIM SOCKET 1.20H 8P, PUSH-PULL, W/O DETECT TYPE		
CHECKED BY	DATE			
SHCHU	2013/12/22			
APPROVED BY	DATE			
YSKIM02	2014/05/30	molex		
MATERIAL NO.				
ENTER PART		SD-104222-001	2 OF 2	

SIZE A3 THIS DRAWING CONTAINS INFORMATION THAT IS PROPRIETARY TO MOLEX INCORPORATED AND SHOULD NOT BE USED WITHOUT WRITTEN PERMISSION

1. MATERIALS:
 1-1. HOUSING : HIGH TEMPERATURE THERMOPLASTIC,UL 94V-0, BLACK
 1-2. CONTACT TER"L : COPPER ALLOY
 1-3. METAL SHELL : STAINLESS STEEL
 2. FINISHES:
 2-1. CONTACT TER"L : 125-5.5 MICRON NICKEL UNDER-PLATED"
 MIN. 0.05 MICRON GOLD ON CONTACT AREA,
 MIN. 0.30 MICRON PALLADIUM ON CONTACT AREA,
 MIN. 0.05 MICRON GOLD ON SOLDER AREA
 2-2. METAL SHELL: 125~3.0 MICRON NICKEL OVERALL
 ☆3. COPLANARITY OF SOLDER TAILS : 0.10mm MAX.(BEFORE & AFTER REFLOW)
 4. PRODUCT SPECIFICATION : PS-104222-001
 5. PACKAGING SPECIFICATION : PK-104222-001
 6. ☆ IS CTF DIMENSION EQUAL TO MOLEX MAJIR QUALITY SYMBOLS



Isometric View 1
(Scale 4/1)

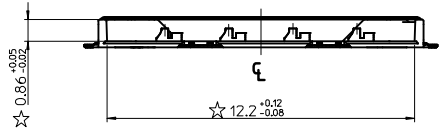


[microSIM CARD PIN-MAP]

8P	6P	DESCRIPTION
S1	C1	Vcc(Supply V)
S2	C2	RST(Reset)
S3	C3	CLK(Clock)
S4	--	Reserved
S5	C4	GND
S6	C5	Vpp(Program V)
S7	C6	I/O
S8	--	Reserved
G1-G6		GND

RECOMMENDED PCB PATTERN LAYOUT

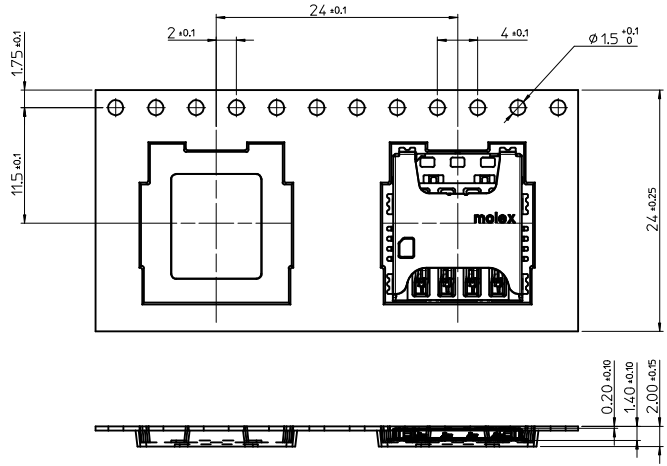
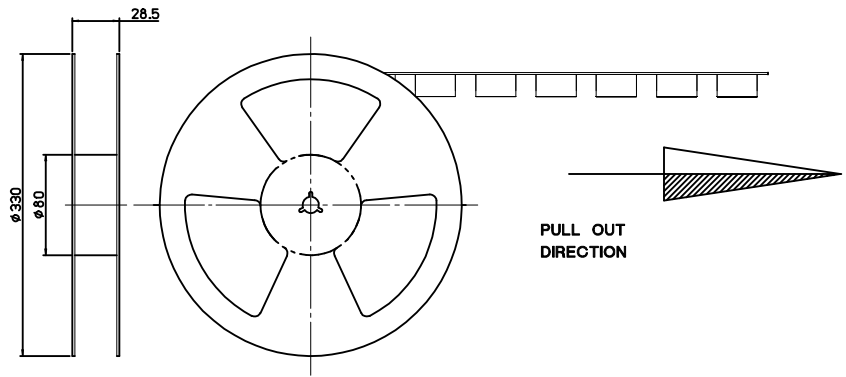
TOLERANCE : ±0.05



PROPOSAL EC NO: KOR2016-0021 DRWN: IHYOU 2015/08/20 CHKD: APPR: YSK1M02 2015/08/20	REV	A1
	DESCRIPTION	

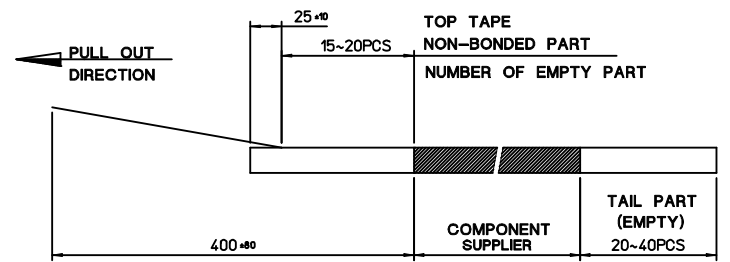
QUALITY SYMBOLS ▽=0 ◻=0	GENERAL TOLERANCES (UNLESS SPECIFIED)	DIMENSION STYLE MM ONLY	SCALE 5:1	DESIGN UNITS METRIC	THIRD ANGLE PROJECTION
	4 PLACES ± --- ± ---	DRAWN BY IHYOU	DATE 2013/12/22	TITLE MICROSIM SOCKET 1.20H 8P, PUSH-PULL, W/O DETECT TYPE molex DOCUMENT NO. SD-104222-001 SHEET NO. 1 OF 2	
	3 PLACES ± --- ± ---	CHECKED BY SHCHU	DATE 2013/12/22		
	2 PLACES ± 0.10 ± ---	APPROVED BY YSK1M02	DATE 2014/05/30		
	1 PLACE ± 0.15 ± ---	MATERIAL NO.			
	0 PLACE ± --- ± ---	SEE TABLE			
	ANGULAR ± 1 °	DRAFT WHERE APPLICABLE MUST REMAIN WITHIN DIMENSIONS			

DRAWN BY IHYOU	DATE 2013/12/22
CHECKED BY SHCHU	DATE 2013/12/22
APPROVED BY YSK1M02	DATE 2014/05/30
MATERIAL NO. SEE TABLE	

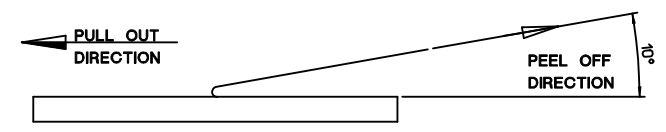


NOTES

- 1. QUANTITY OF CONNECTORS : 1,500PCS/REEL
- 2. LEAD LENGTH



- 3. PEELING OFF FORCE OF COVER TAPE : 0.1N~0.59N(10.2GF~60GF)
(PEELING DIRECTION AS SHOW IN FOLLOW FIG.)
- PEELING OFF SPEED : 300mm/Min.(Ref.)



PROPOSAL EC NO: KOR2016-0021 DRWN: IHYOU CHKD: APPR: YSKIM02	2015/08/20	DESCRIPTION REV	2015/08/20
	A1		

QUALITY SYMBOLS	▽=0
	▽=0

GENERAL TOLERANCES (UNLESS SPECIFIED)	mm	INCH	
	4 PLACES	± ---	± ---
	3 PLACES	± ---	± ---
	2 PLACES	± ---	± ---
	1 PLACE	± 0.25	± ---
	0 PLACE	± ---	± ---
ANGULAR ± 1 °			
DRAFT WHERE APPLICABLE MUST REMAIN WITHIN DIMENSIONS			

DIMENSION STYLE		SCALE	DESIGN UNITS	THIRD ANGLE PROJECTION
MM ONLY		2:1	METRIC	
DRAWN BY	DATE	TITLE		
IHYOU	2013/12/22	molex MICROSIM SOCKET 1.20H 8P, PUSH-PULL, W/O DETECT TYPE SD-104222-001		
CHECKED BY	DATE			
SHCHU	2013/12/22			
APPROVED BY	DATE			
YSKIM02	2014/05/30	MATERIAL NO.	DOCUMENT NO.	SHEET NO.
ENTER PART		SD-104222-001		2 OF 2

THIS DRAWING CONTAINS INFORMATION THAT IS PROPRIETARY TO MOLEX INCORPORATED AND SHOULD NOT BE USED WITHOUT WRITTEN PERMISSION