

6

5

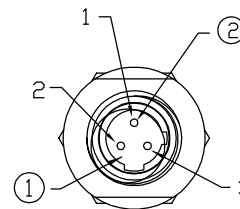
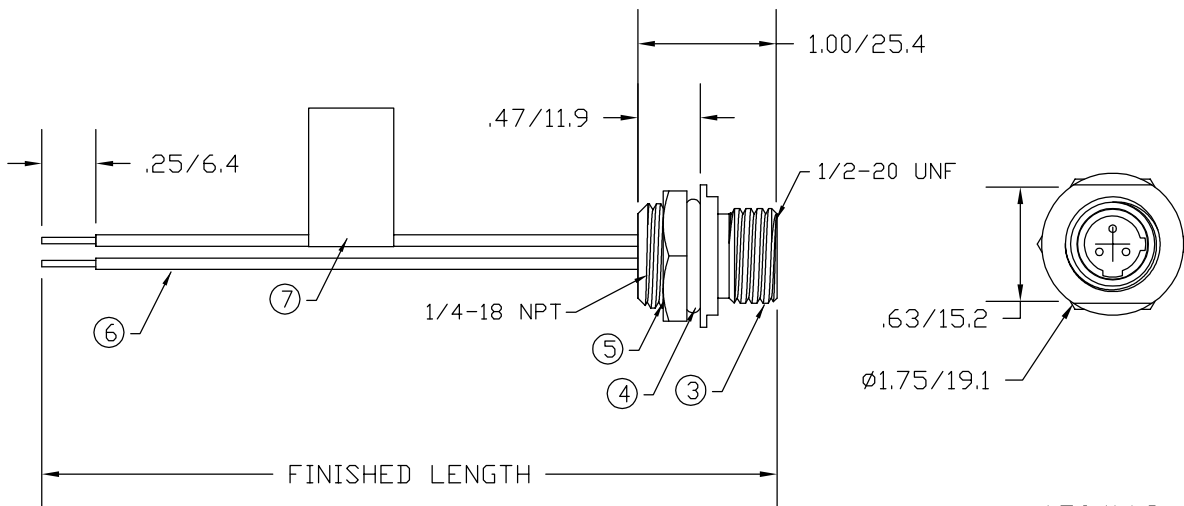
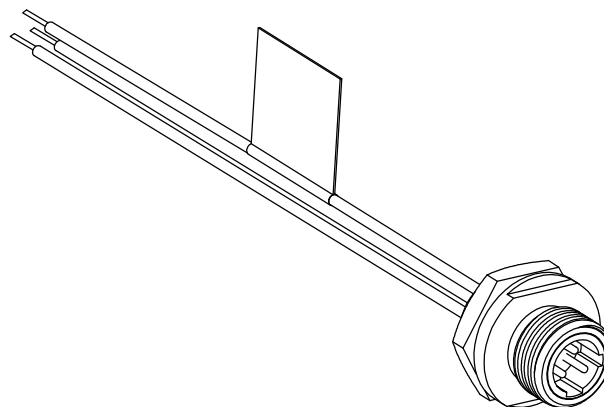
4

3

2

1

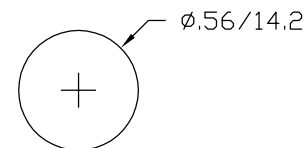
MATERIAL NUMBER	OLD PART NUMBER	FINISHED LENGTH
120074-0079	7R3A06A19A120	12.0" +.75" -0 [1.3M +19.1 -0]
120074-0081	7R3A06A19F060	6.0" +3.50" -0 [1.8M +88.9 -0]



1	GREEN
2	RED-BLACK
3	RED-WHITE

WIRING DIAGRAM

MALE FACE VIEW



TYPICAL KNOCKOUT HOLE

VOLTAGE RATING	250 VAC/VDC
AMPERAGE RATING	4 AMPS
PROTECTION	IP67
OPERATING TEMPERATURE	-20°C TO 80°C
UL CERTIFICATIONS	UL LISTED, FILE NO. E152210
CSA CERTIFICATIONS	CSA CERTIFIED, FILE NO. LR6837

ITEM	COMPONENT	MATERIAL	FINISH
1	INSERT	NYLON	BLACK
2	CONTACT PIN	COPPER ALLOY	GOLD OVER NICKEL
3	RECEPTACLE SHELL	ALUMINUM	GRAY ANODIZED
4	O-RING	NITRILE	BLACK
5	LOCKNUT	STEEL	ZINC PLATED
6	CONDUCTOR -22 AWG, 26 x #36 STRANDING, 300 VOLTS	PVC	SEE WIRING DIAGRAM
7	FLAG LABEL	MYLAR	BLACK/YELLOW

RLSD DRAWING	3/27/09
EC NO: WNA2009-0631	DRWN: BWOODMAN
CHKD: JM	APPR: JFMURPHY
2009/04/01	

QUALITY SYMBOLS	▽=0	▽C=0
-----------------	-----	------

	GENERAL TOLERANCES (UNLESS SPECIFIED)	
	mm	INCH
4 PLACES	±.005	±.0005
3 PLACES	±.002	±.0002
2 PLACES	±.001	±.0001
1 PLACE	±0.3	±---
ANGULAR ±.5°		
DRAFT WHERE APPLICABLE MUST REMAIN WITHIN DIMENSIONS		

DIMENSION STYLE	IN/MM
SCALE	---
DESIGN UNITS	---
THIRD ANGLE PROJECTION	☉
DRAWN BY	BW
DATE	2009/03/27
CHECKED BY	TW
DATE	2009/03/27
APPROVED BY	---
DATE	---
MATERIAL NO.	SEE CHART
SIZE	A

TITLE	MICRO-CHANGE RECEPTACLE 3 POLE MALE 1/4-18 NPT	
MOLEX INCORPORATED		
DOCUMENT NO.	SD-120074-001	SHEET NO. 1 OF 1
THIS DRAWING CONTAINS INFORMATION THAT IS PROPRIETARY TO MOLEX INCORPORATED AND SHOULD NOT BE USED WITHOUT WRITTEN PERMISSION		

6

5

4

3

2

1

E

E

D

D

C

C

B

B

A

A