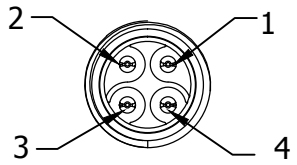
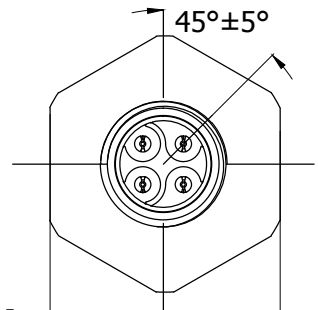


MALE FACE VIEW



- 1 GRAY
- 2 BROWN
- 3 BLUE
- 4 BLACK

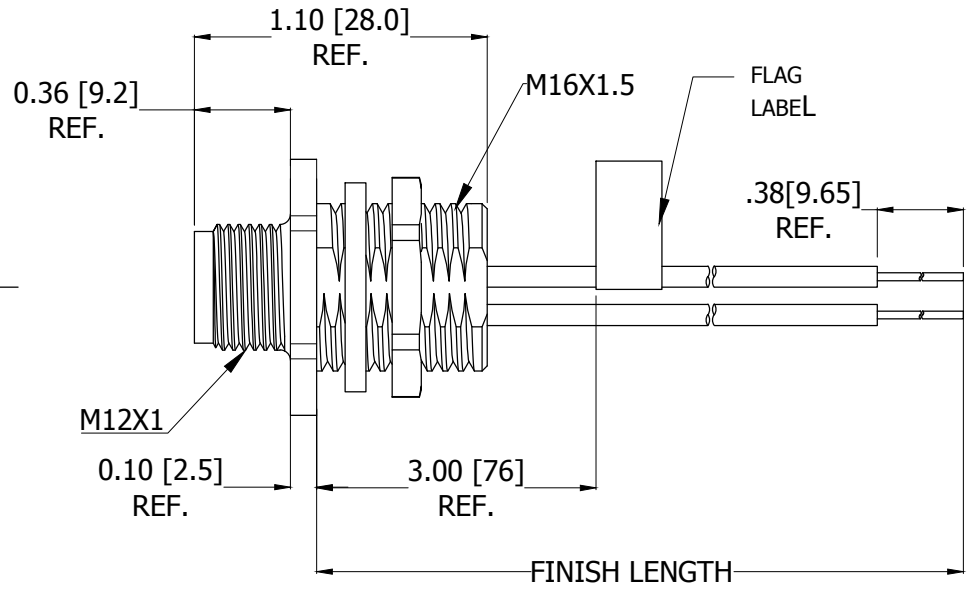


0.87 [22.0]  
REF.

0.56±0.004 [14.3±0.10]

Ø0.64±0.004 [Ø16.3±0.10]

TYPICAL KNOCKOUT



Ⓣ FRP4U36F01M0103

Wire type  
14/1C AWG PPE

Wire length  
M005 = 0.5 Meter  
M010 = 1 Meter  
M100 = 10 Meter

MECHANICAL  
 CONTACT: GOLD/NICKEL OVER COPPER ALLOY  
 INSERT: BLACK NYLON  
 RECEPTACLE SHELL: NICKEL PLATED BRASS  
 GASKET: BLACK NITRILE  
 LOCK NUT: NICKEL PLATED BRASS  
 WIRE: 14 AWG CONDUCTORS, PPE

WIRE MARKING: xxxxx ECOWIRE TM 14 AWG Exxxxxx  
 RU AWM 11028 105C 600V VW-1 ---  
 CRU AWM I A/B 105C 600V FT1 CE ROHS

ELECTRICAL  
 VOLTAGE RATING: 300V AC/DC  
 AMPERAGE: 16A

ENVIRONMENTAL  
 PROTECTION: IP67

OPERATING TEMP: -20°C TO 105°C

UPDATE MATRIX NUMBER EC NO: IPG2017-0883 DRWN: MZELINS 2017/03/20 CHKD: TWOLDEGE 2017/03/22 APPR: BWOODMAN2013/12/17 REV: F	QUALITY SYMBOL ▽=0 ◻=0	GENERAL TOLERANCES (UNLESS SPECIFIED)	DIMENSION STYLE INCH/MM	SCALE 4:1	DESIGN UNITS INCH	THIRD ANGLE PROJECTION	
	mm INCH	4 PLACES ±--- ±--- 3 PLACES ±--- ±.005 2 PLACES ±.13 ±.010 1 PLACE ±.25 ±.020	DRAWN BY DATE TWOLDEGE 2013/06/18	CHECKED BY DATE BRUPERT ---	TITLE M12-POWER ASSEMBLY 4-POLE MALE M16X1.5 14/1C AWG PPE WIRE LEADS		
	ANGULAR ±.5°	DRAFT WHERE APPLICABLE MUST REMAIN WITHIN DIMENSIONS	APPROVED BY DATE BWOODMAN 2013/12/17	MATERIAL NO.	MOLEX INCORPORATED		
	SIZE C	THIS DRAWING CONTAINS INFORMATION THAT IS PROPRIETARY TO MOLEX INCORPORATED AND SHOULD NOT BE USED WITHOUT WRITTEN PERMISSION			DOCUMENT NO. SD-120502-004	SHEET NO. 1 OF 1	